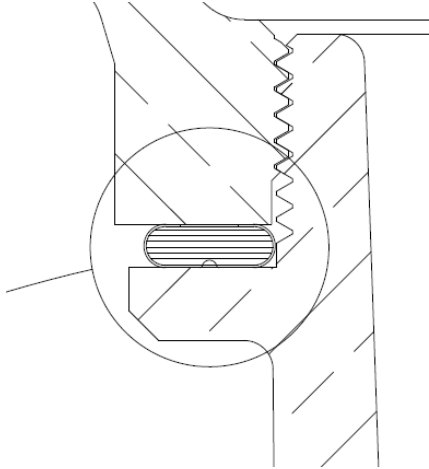


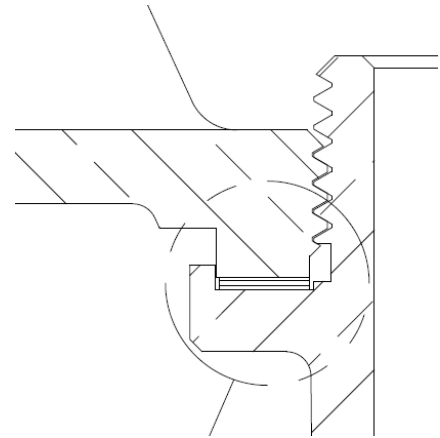
DATE: 05/25/18

SUBJECT: KEB18-3 B Valve Bottom Plug Consolidation

Emerson Automation Solutions is consolidating the designs for the bottom plug geometries of cryogenic service and industrial service B Valves. Industrial and Final Line service valves will be at Design Rev A, which means the parts will be non-interchangeable with previous revision valves. This change is to use the design of the cryogenic service bottom plug, so valves for cryogenic service will not be affected.



Current Industrial Design



Future Consolidated Design

The current industrial design uses a copper-jacketed gasket which is difficult to manufacture and has a long lead time. The future consolidated design can use a standard gasket design because the Body and Bottom Plug geometry captures the Gasket, eliminating the need for copper jacketing. This allows for interchangeable parts across services also, improving inventory considerations.

See below for a crossover spreadsheet for repair kits. Repair kits are not interchangeable between design revisions.

For questions regarding this change, please contact Customer Service by telephone at (828) 669-3700.

Emerson Automation Solutions Final Control US LP

953 Old US Hwy 70

Black Mountain, NC 28711 USA

<http://valves.emerson.com>

OLD KIT	NEW KIT
14892	23692
14894	23693
14895	23692
14898	23692
14900	23696
15896	23692
16745	23698
17579	23698
17580	23700
17581	23701
19879	23702
19880	23703
19881	23704
19882	23705
19885	23706
19887	23707
19888	23708
20272	23709
20273	23710
20274	23711
20275	23712
20276	23713
20278	23714
20279	23715
21707	23700
21708	23701
21709	23696