



Fastrack Supreme User Guide  
WA\_DEV\_Fastrk\_UGD\_001  
**Plug and Play Wireless CPU®**

**FASTRACK Supreme  
User Guide**

Reference: WA\_DEV\_Fastrk\_UGD\_001

Revision: 001e

Date: 5 June, 2007



Supports Open AT® embedded ANSI C applications

## Document History

Revision	Date	List of revisions	
001	9 February, 07	First Issue	
001a	23 February, 2007	Update DC cable GPIO mapping, add AutoShutDown	
001b	21 May, 07	Add detail of IES, RTC and serial port autoshtutdown	
001c	1 Jun, 07	Change to Quad Band	
001d	4 Jun, 07	Update label/packaging photo	
001e	5 Jun, 07	Comment	

## Overview

The FASTRACK Supreme 10 and FASTRACK Supreme 20 are discrete, rugged cellular Plug & Play Wireless CPU<sup>®</sup> offering state-of-the-art GSM/GPRS (and EGPRS for FASTRACK Supreme 20) connectivity for machine to machine applications.

Proven for reliable, stable performance on wireless networks worldwide, Wavecom's latest generation of FASTRACK Supreme continues to deliver rapid time to market and painless integration.

Having comparable size with the previous M1306B generation, and updated with new features, the FASTRACK Supreme offers an Internal Expansion Socket (IES) interface accessible for customer use. Expanding application features is easy without voiding the warrantee of the FASTRACK Supreme by simply plugging in of an Internal Expansion Socket Module (IESM) board.

Fully certified, the quad band 850/900/1800/1900 MHz FASTRACK Supreme 10 offers GPRS Class 10 capability and FASTRACK Supreme 20 offers GPRS/EGPRS Class 10 capability. Both support a powerful open software platform (Open AT<sup>®</sup>). Open AT<sup>®</sup> is the world's most comprehensive cellular development environment, which allows embedded standard ANSI C applications to be natively executed directly on the Wireless CPU<sup>®</sup>.

FASTRACK Supreme is controlled by firmware through a set of AT commands.

This document describes the FASTRACK Supreme and gives information on the following topics:

- general presentation,
- functional description,
- basic services available,
- technical characteristics,
- installing and using the FASTRACK Supreme,
- user-level troubleshooting.
- recommended accessories to be used with the product.

**Note:**

This document covers the FASTRACK Supreme Plug & Play alone and does not include

- The programmable capabilities provided via the use of Open AT<sup>®</sup> Software Suites.
- The development guide for IESM for expanding the application feature through the IES interface.

For detailed, please refer to the documents shown in the "Reference documents" section.

**RoHS Directive**

The FASTRACK Supreme is now compliant with RoHS Directive 2002/95/EC, which sets limits for the use of certain restricted hazardous substances. This directive states that "from 1st July 2006, new electrical and electronic equipment put on the market does not contain lead, mercury, cadmium, hexavalent chromium, polybrominated biphenyls (PBB), and polybrominated diphenyl ethers (PBDE)".

Plug & Plays which are compliant with this directive are identified by the RoHS logo on their label.



**Disposing of the product**


This electronic product is subject to the EU Directive 2002/96/EC for Waste Electrical and Electronic Equipment (WEEE). As such, this product must not be disposed off at a municipal waste collection point. Please refer to local regulations for directions on how to dispose off this product in an environmental friendly manner.



## **Cautions**

Information furnished herein by WAVECOM is accurate and reliable. However, no responsibility is assumed for its use. Please read carefully the safety recommendations given in Section 9 for an application based on FASTRACK Supreme Plug & Play.

## **Trademarks**

®, WAVECOM®, Wireless CPU®, Open AT® and certain other trademarks and logos appearing on this document, are filed or registered trademarks of Wavecom S.A. in France or in other countries. All other company and/or product names mentioned may be filed or registered trademarks of their respective owners.

## **Copyright**

This manual is copyrighted by WAVECOM with all rights reserved. No part of this manual may be reproduced in any form without the prior written permission of WAVECOM. No patent liability is assumed with respect to the use of their respective owners.

## Web Site Support

General information about Wavecom and its range of products:	<a href="http://www.wavecom.com">www.wavecom.com</a>
Specific support is available for the FASTRACK Supreme Plug & Play Wireless CPU®:	TBD
Open AT® Introduction:	<a href="http://www.wavecom.com/OpenAT">www.wavecom.com/OpenAT</a>
Developer community for software and hardware:	<a href="http://www.wavecom.com/forum">www.wavecom.com/forum</a>

# Contents

<b>DOCUMENT HISTORY</b> .....	<b>2</b>
<b>OVERVIEW</b> .....	<b>3</b>
<b>CAUTIONS</b> .....	<b>5</b>
<b>TRADEMARKS</b> .....	<b>5</b>
<b>COPYRIGHT</b> .....	<b>5</b>
<b>WEB SITE SUPPORT</b> .....	<b>6</b>
<b>CONTENTS</b> .....	<b>7</b>
<b>LIST OF FIGURES</b> .....	<b>11</b>
<b>LIST OF TABLES</b> .....	<b>12</b>
<b>1 REFERENCES</b> .....	<b>13</b>
1.1 Reference Documents .....	13
1.1.1 Open AT® Software Documentation .....	13
1.1.2 AT Software Documentation .....	13
1.1.3 Firmware Upgrade Documents .....	13
1.1.4 Delta between M1306B Documents .....	13
1.1.5 IESM Related Documents .....	13
1.2 Abbreviations .....	14
<b>2 PACKAGING</b> .....	<b>17</b>
2.1 Contents .....	17
2.2 Packaging Box .....	18
2.3 Production Labelling .....	19
<b>3 GENERAL PRESENTATION</b> .....	<b>20</b>
3.1 Description .....	20
3.2 External Connections .....	22
3.2.1 Connectors .....	22
3.2.1.1 Antenna Connector .....	22
3.2.1.2 Power Supply Connector .....	22
3.2.1.3 Sub HD 15-pin Connector .....	23

**Fastrack Supreme User Guide**

**WA\_DEV\_Fastrk\_UGD\_001**

3.2.1.4 IES Connector.....25

3.2.2 Power supply cable .....29

**4 FEATURES AND SERVICES.....31**

4.1 Basic Features and Services.....31

4.2 Additional NEW Features .....34

4.2.1 Support Additional GSM850/PCS1900 Bands .....34

4.2.2 IES Interface for Easy Expansion of Application Features.....34

4.2.3 Serial Port Auto Shut Down or Improving Power Consumption .....34

4.2.4 Real Time Clock (RTC) for Saving Date and Time .....34

4.2.5 SIM Card Lock Feature .....35

**5 USING THE FASTRACK SUPREME PLUG & PLAY .....36**

5.1 Getting Started.....36

5.1.1 Mount the FASTRACK Supreme.....36

5.1.2 Set up the FASTRACK Supreme .....36

5.1.3 Check the communication with the FASTRACK Supreme.....37

5.1.4 Reset the FASTRACK Supreme .....37

5.2 Specific Recommendations when Using the FASTRACK Supreme on Trucks .....38

5.2.1 Recommended Power Supply Connection on Trucks.....38

5.2.2 Technical Constraints on Trucks .....38

5.3 FASTRACK Supreme Operational Status .....39

5.4 Echo Function Disabled.....40

5.5 Verify the Received Signal Strength.....41

5.6 Check the Pin Code Status .....41

5.7 Switch between EU/US Band(s).....41

5.8 Check the Band(s) Selection .....42

5.9 Verify the FASTRACK Supreme Network Registration.....43

5.10 Main AT Commands for the Plug & Play .....44

5.11 Firmware Upgrade Procedure .....45

**6 TROUBLESHOOTING .....46**

6.1 No Communication with the FASTRACK Supreme through the Serial Link .....46

6.2 Receiving "ERROR" Message.....46

6.3 Receiving "NO CARRIER" Message .....47

**7 FUNCTIONAL DESCRIPTION.....50**

7.1 Architecture.....50

7.2 EU and US Bands.....51

7.2.1 General Presentation.....51

7.2.2 AT COMMAND for Bands Switch.....51

7.3 Power Supply.....51



**Fastrack Supreme User Guide**

**WA\_DEV\_Fastrk\_UGD\_001**

7.3.1	General Presentation.....	51
7.3.2	Protections.....	51
7.4	RS232 Serial Link.....	51
7.4.1	General Presentation.....	51
7.4.2	Autobauding Mode .....	52
7.4.3	Pin Description.....	53
7.4.4	Serial Port Auto shut down Feature .....	53
7.5	General Purpose Input/Output (GPIO).....	54
7.6	BOOT.....	54
7.7	RESET.....	54
7.7.1	General presentation .....	54
7.7.2	Reset Sequence .....	55
7.8	Audio.....	56
7.8.1	Microphone Inputs .....	56
7.8.2	Speaker Outputs.....	57
7.9	Real Time Clock (RTC) .....	58
7.10	FLASH LED 58	
<b>8</b>	<b>TECHNICAL CHARACTERISTICS.....</b>	<b>59</b>
8.1	Mechanical Characteristics.....	59
8.2	Electrical Characteristics .....	61
8.2.1	Power Supply.....	61
8.2.2	Power Consumption .....	62
8.2.3	Audio Interface .....	65
8.2.4	General Purpose Input/Output.....	66
8.2.5	SIM Interface .....	66
8.2.6	RESET Signal.....	66
8.2.7	RF Characteristics .....	67
8.2.7.1	Frequency Ranges.....	67
8.2.7.2	RF Performances.....	68
8.2.7.3	External Antenna .....	69
8.3	Environmental Characteristics.....	69
8.4	Conformity .....	72
8.5	Protections.....	72
8.5.1	Power Supply.....	72
8.5.2	Overvoltage .....	73
8.5.3	Electrostatic Discharge.....	73
8.5.4	Miscellaneous.....	73
<b>9</b>	<b>SAFETY RECOMMENDATIONS .....</b>	<b>74</b>
9.1	General Safety.....	74
9.2	Vehicle Safety.....	74
9.3	Care and Maintenance .....	75
9.4	Your Responsibility .....	75

**Fastrack Supreme User Guide**

WA\_DEV\_Fastrk\_UGD\_001

10 RECOMMENDED ACCESSORIES.....76

11 ONLINE SUPPORT .....77

## List of Figures

Figure 1: Complete package contents.....	17
Figure 2: Packaging box.....	18
Figure 3: Production Label .....	19
Figure 4: FASTRACK Supreme general description .....	20
Figure 5: FASTRACK Supreme holding bridles .....	21
Figure 6: SMA connector for antenna connection .....	22
Figure 7: Power supply connector .....	23
Figure 8: Sub HD 15-pin connector .....	24
Figure 9: IES connector for feature expansion .....	26
Figure 10: Power supply cable .....	29
Figure 11: SIM card lock feature .....	35
Figure 12: FASTRACK Supreme mounting.....	36
Figure 13: Recommended power supply connection on trucks.....	38
Figure 14: Example of electrical connection which may dramatically damage the FASTRACK Supreme .....	39
Figure 15: Functional architecture .....	50
Figure 16: RS232 Serial Link signals .....	52
Figure 17: Reset sequence diagram .....	56
Figure 18: Dimensioning diagram.....	60

## List of Tables

Table 1: Power supply connector pin description.....	23
Table 2: Sub HD 15-pin connector description.....	24
Table 3: IES Connector Description.....	27
Table 4: Basic features of the FASTRACK Supreme.....	31
Table 5: FASTRACK Supreme operational status.....	40
Table 6: Values of received signal strength.....	41
Table 7: AT+CPIN Responses.....	41
Table 8: AT+WMBS Band Selection.....	42
Table 9: AT+WMBS Responses.....	42
Table 10: Values of network registration.....	43
Table 11: Main usual AT commands for the Plug & Play.....	44
Table 12: Solutions for no connection with FASTRACK Supreme through serial link.....	46
Table 13: Solutions for "NO CARRIER" message.....	48
Table 14: Interpretation of extended error code.....	49
Table 15: Mechanical characteristics.....	59
Table 16: Electrical characteristics.....	61
Table 17: Effects of power supply defect.....	61
Table 18: Power consumption (1*).....	62
Table 19: Audio parameters characteristics.....	65
Table 20: Microphone inputs internal audio filter characteristics.....	65
Table 21: Recommended characteristics for the microphone:.....	65
Table 22: Recommended characteristics for the speaker:.....	66
Table 23: Operating conditions.....	66
Table 24: SIM card characteristics.....	66
Table 25: Electrical characteristics.....	66
Table 26: Operating conditions.....	67
Table 27: Frequency ranges.....	67
Table 28: Receiver and transmitter RF performances.....	68
Table 29: External antenna characteristics.....	69
Table 30: Ranges of temperature.....	69
Table 31: Environmental standard constraints.....	70
Table 32: List of recommended accessories.....	76

## **1 References**

### **1.1 Reference Documents**

For more details, several reference documents may be consulted. The Wavecom reference documents are provided in the Wavecom documents package contrary to the general reference documents, which are not Wavecom owned.

#### **1.1.1 Open AT<sup>®</sup> Software Documentation**

- [1] Getting started with Open AT<sup>®</sup> (Ref.WM\_ASW\_OAT\_CTI\_001)
- [2] Open AT<sup>®</sup> Tutorial (Ref.WM\_ASW\_OAT\_UGD\_001)
- [3] Tools Manual (Ref. WM\_ASW\_OAT\_UGD\_003)
- [4] Open AT<sup>®</sup> Programming Guide (Ref. TBD)
- [5] Open AT<sup>®</sup> Customer Release Note (Ref. WM\_ASW\_OAT\_DVD\_00062)

Remark: The document above is for Open AT3.12 and FASTRACK Supreme will use new release of Open AT4.21. Reference document not yet available and TBC.

#### **1.1.2 AT Software Documentation**

- [6] AT commands interface Guide for X51 (Ref. WM\_ASW\_OAT\_UGD\_00016)
- [7] Customer Release Note X51 (Ref. WM\_ASW\_OAT\_DVD\_00120)

Remark: The document above is for X51 and FASTRACK Supreme will use new release of FW6.63. Reference document not yet available and TBC.

#### **1.1.3 Firmware Upgrade Documents**

- [8] Firmware upgrade procedure (Ref. WM\_SW\_GEN\_UGD\_001)

#### **1.1.4 Delta between M1306B Documents**

- [9] Delta between M1306B and FASTRACK Supreme (Ref. WA\_DEV\_Fastrk\_UGD\_004)

#### **1.1.5 IESM Related Documents**

- [10] IESM Product Technical Specification (Ref. WA\_DEV\_Fastrk\_PTS\_001)
- [11] IESM-GPS+USB User Guide (Ref. WA\_DEV\_Fastrk\_UGD\_002)
- [12] IESM-GPS+USB Installation Guide (Ref. WA\_DEV\_Fastrk\_UGD\_003)
- [13] IESM-IO+USB Installation Guide (Ref. WA\_DEV\_Fastrk\_UGD\_005)
- [14] IESM-IO+USB User Guide (Ref. WA\_DEV\_Fastrk\_UGD\_006)

**Note:**

New versions of software may be available. Wavecom recommends customers to check the web site for the latest documentation.

**1.2 Abbreviations**

<b>Abbreviation</b>	<b>Definition</b>
<b>AC</b>	<b>A</b> lternating <b>C</b> urrent
<b>ACM</b>	<b>A</b> ccumulated <b>C</b> all <b>M</b> eter
<b>AMR</b>	<b>A</b> daptive <b>M</b> ulti- <b>R</b> ate
<b>AT</b>	<b>A</b> Ttention (prefix for Wireless CPU <sup>®</sup> commands)
<b>CLK</b>	<b>C</b> Lo <b>C</b> K
<b>CMOS</b>	<b>C</b> omplementary <b>M</b> etal <b>O</b> xide <b>S</b> emiconductor
<b>CS</b>	<b>C</b> oding <b>S</b> cheme
<b>CTS</b>	<b>C</b> lear <b>T</b> o <b>S</b> end
<b>dB</b>	<b>D</b> ecibel
<b>dBc</b>	<b>D</b> ecibel relative to the <b>C</b> arrier power
<b>dB<i>i</i></b>	<b>D</b> ecibel relative to an <b>I</b> sotropic radiator
<b>dBm</b>	<b>D</b> ecibel relative to one <b>m</b> illiwatt
<b>DC</b>	<b>D</b> irect <b>C</b> urrent
<b>DCD</b>	<b>D</b> ata <b>C</b> arrier <b>D</b> etect
<b>DCE</b>	<b>D</b> ata <b>C</b> ommunication <b>E</b> quipment
<b>DCS</b>	<b>D</b> igital <b>C</b> ellular <b>S</b> ystem
<b>DSR</b>	<b>D</b> ata <b>S</b> et <b>R</b> eady
<b>DTE</b>	<b>D</b> ata <b>T</b> erminal <b>E</b> quipment
<b>DTMF</b>	<b>D</b> ual <b>T</b> one <b>M</b> ulti- <b>F</b> requency
<b>DTR</b>	<b>D</b> ata <b>T</b> erminal <b>R</b> eady
<b>EEPROM</b>	<b>E</b> lectrically <b>E</b> rasable <b>P</b> rogrammable <b>R</b> ead- <b>O</b> nly <b>M</b> emory
<b>EFR</b>	<b>E</b> nhanced <b>F</b> ull <b>R</b> ate
<b>E-GSM</b>	<b>E</b> xtended <b>G</b> SM
<b>EMC</b>	<b>E</b> lectro <b>M</b> agnetic <b>C</b> ompatibility
<b>EMI</b>	<b>E</b> lectro <b>M</b> agnetic <b>I</b> nterference
<b>ESD</b>	<b>E</b> lectro <b>S</b> tatic <b>D</b> ischarges
<b>ETSI</b>	<b>E</b> uropean <b>T</b> elecommunications <b>S</b> tandards <b>I</b> nstitute
<b>FIT</b>	<b>S</b> eries of <b>c</b> onnectors ( <b>m</b> icro- <b>F</b> IT)
<b>FR</b>	<b>F</b> ull <b>R</b> ate

<b>Abbreviation</b>	<b>Definition</b>
<b>FTA</b>	<b>F</b> ull <b>T</b> ype <b>A</b> pproval
<b>GCF</b>	<b>G</b> lobal <b>C</b> ertification <b>F</b> orum
<b>GND</b>	<b>GrouND</b>
<b>GPIO</b>	<b>G</b> eneral <b>P</b> urpose <b>I</b> nput <b>O</b> utput
<b>GPRS</b>	<b>G</b> eneral <b>P</b> acket <b>R</b> adio <b>S</b> ervice
<b>GSM</b>	<b>G</b> lobal <b>S</b> ystem for <b>M</b> obile communications
<b>HR</b>	<b>H</b> alf <b>R</b> ate
<b>I</b>	<b>I</b> nput
<b>IEC</b>	<b>I</b> nternational <b>E</b> lectrotechnical <b>C</b> ommission
<b>IES</b>	<b>I</b> nternal <b>E</b> xpansion <b>S</b> ocket
<b>IESM</b>	<b>I</b> nternal <b>E</b> xpansion <b>S</b> ocket <b>M</b> odule
<b>IMEI</b>	<b>I</b> nternational <b>M</b> obile <b>E</b> quipment <b>I</b> dentification
<b>I/O</b>	<b>I</b> nput / <b>O</b> utput
<b>LED</b>	<b>L</b> ight <b>E</b> mitting <b>D</b> iode
<b>MAX</b>	<b>MAX</b> imum
<b>ME</b>	<b>M</b> obile <b>E</b> quipment
<b>MIC</b>	<b>MIC</b> rophone
<b>Micro-Fit</b>	<b>F</b> amily of <b>c</b> onnectors from <b>M</b> olex
<b>MIN</b>	<b>MIN</b> imum
<b>MNP</b>	<b>M</b> icrocom <b>N</b> etworking <b>P</b> rotocol
<b>MO</b>	<b>M</b> obile <b>O</b> riginated
<b>MS</b>	<b>M</b> obile <b>S</b> tation
<b>MT</b>	<b>M</b> obile <b>T</b> erminated
<b>NOM</b>	<b>NOM</b> inal
<b>O</b>	<b>O</b> utput
<b>Pa</b>	<b>P</b> ascal (for speaker sound pressure measurements)
<b>PBCCH</b>	<b>P</b> acket <b>B</b> roadcast <b>C</b> ontrol <b>CH</b> annel
<b>PC</b>	<b>P</b> ersonal <b>C</b> omputer
<b>PCL</b>	<b>P</b> ower <b>C</b> ontrol <b>L</b> evel
<b>PDP</b>	<b>P</b> acket <b>D</b> ata <b>P</b> rotocol
<b>PIN</b>	<b>P</b> ersonal <b>I</b> dentify <b>N</b> umber
<b>PLMN</b>	<b>P</b> ublic <b>L</b> and <b>M</b> obile <b>N</b> etwork
<b>PUK</b>	<b>P</b> ersonal <b>U</b> nblocking <b>K</b> ey
<b>RF</b>	<b>R</b> adio <b>F</b> requency

<b>Abbreviation</b>	<b>Definition</b>
<b>RFI</b>	Radio Frequency Interference
<b>RI</b>	Ring Indicator
<b>RMS</b>	Root Mean Square
<b>RTS</b>	Request To Send
<b>RX</b>	Receive
<b>SIM</b>	Subscriber Identification Module
<b>SMA</b>	SubMiniature version A RF connector
<b>SMS</b>	Short Message Service
<b>SNR</b>	Signal-to-Noise Ratio
<b>SPL</b>	Sound Pressure Level
<b>SPK</b>	SpeaKer
<b>SRAM</b>	Static RAM
<b>TCP/IP</b>	Transmission Control Protocol / Internet Protocol
<b>TDMA</b>	Time Division Multiple Access
<b>TU</b>	Typical Urban fading profile
<b>TUHigh</b>	Typical Urban, High speed fading profile
<b>TX</b>	Transmit
<b>TYP</b>	TYPical
<b>VSWR</b>	Voltage Stationary Wave Ratio



## 2 Packaging

### 2.1 Contents

The complete package content of the FASTRACK Supreme consists of (see):

- one packaging box (A),
- one FASTRACK Supreme (B),
- two holding bridles (C),
- one power supply cable with fuse integrated (D)
- a mini notice (E) with:
  - a summary of the main technical features,
  - safety recommendations,
  - EC declaration of conformity.

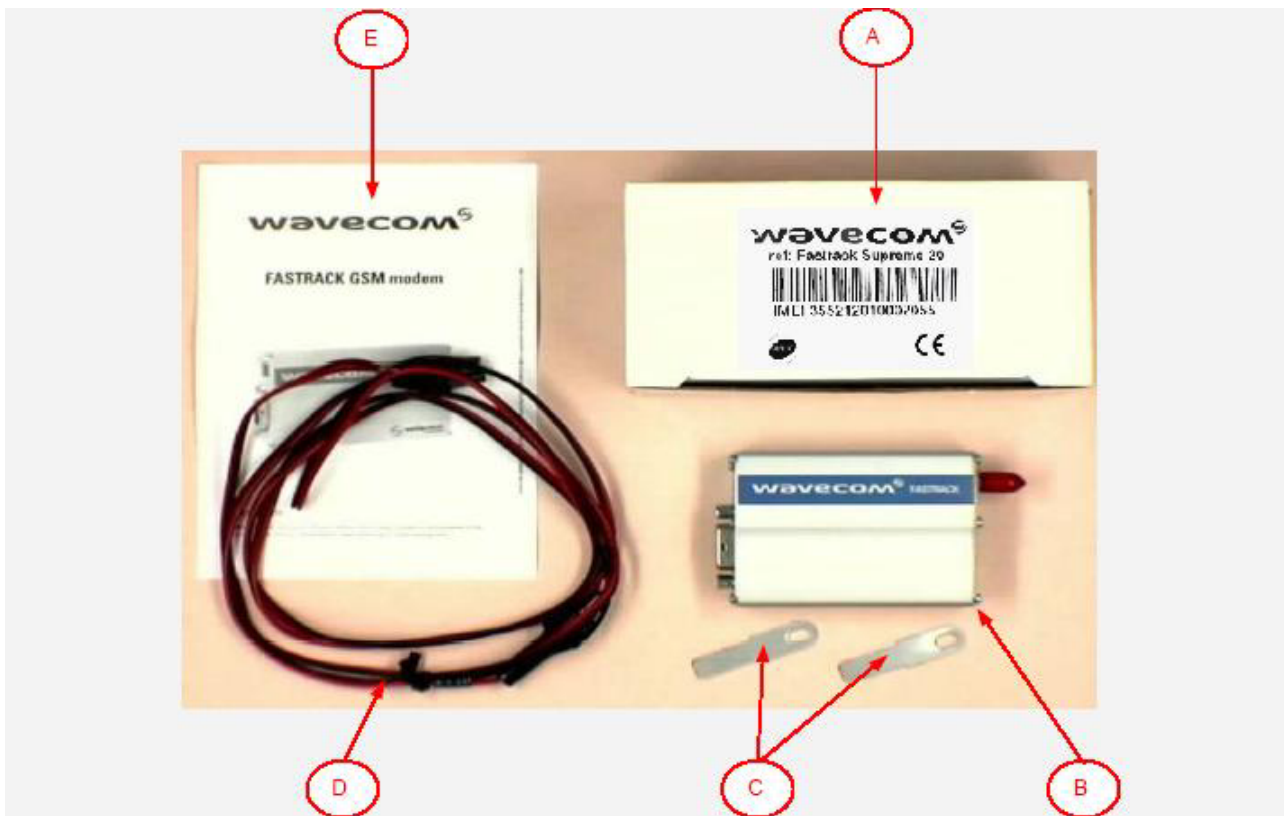


Figure 1: Complete package contents

## 2.2 Packaging Box

The packaging box is a carton box (see) with the following external dimensions:

- width: 54.5 mm,
- height: 68 mm,
- length: 108 mm.

A packaging label is slicked on the packaging box cover and supports the:

- WAVECOM logo,
- Product reference (Supreme),
- CE marking
- 15-digit IMEI code
- Open AT<sup>®</sup> Logo
- RoHS logo
- WEEE logo



**Figure 2: Packaging box**

The packaging label dimensions are:

- height: 40 mm,
- length: 65 mm.

### 2.3 Production Labelling

A production label (see Figure 3) located at the FASTRACK Supreme back side gives the following information:

- product reference (**FASTRACK Supreme 10** or **FASTRACK Supreme 20**),
- part number (WM19183),
- CE marking,
- 15-digit IMEI code,
- OpenAT<sup>®</sup> logo



Figure 3: Production Label

### 3 General Presentation

#### 3.1 Description

The FASTRACK Supreme description is given in the Figure 4 below.

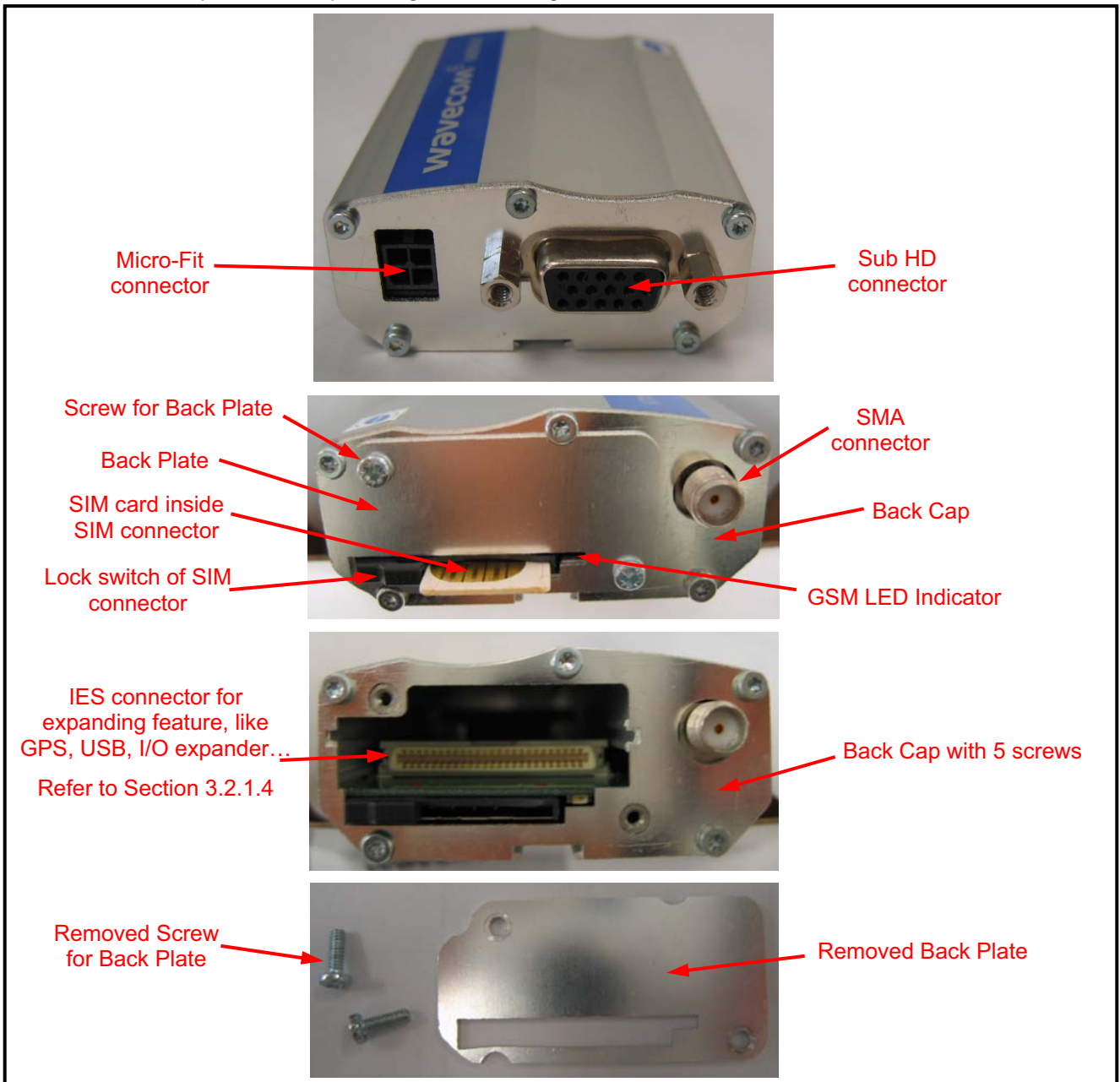


Figure 4: FASTRACK Supreme general description

## Fastrack Supreme User Guide

### General Presentation

**CAUTION:** Users are free to remove the back plate for IESM board plug in/unplug without voiding the warranty of the FASTRACK Supreme. **However, the warranty will be voided if unscrewing any screw of the back cap.**

In addition, two holding bridles are provided to tighten the FASTRACK Supreme on a support.

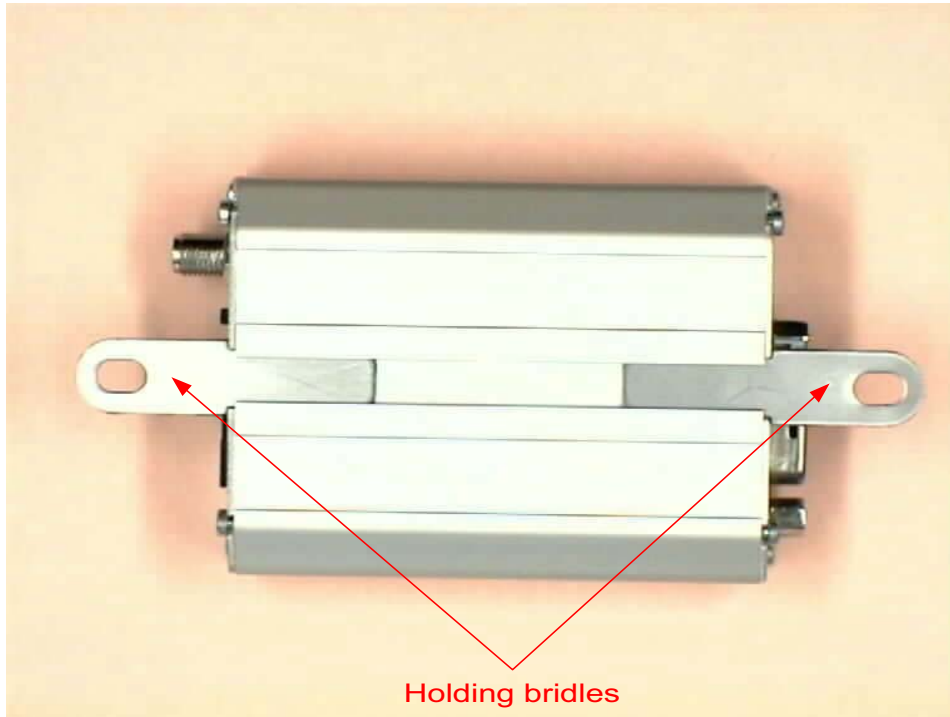


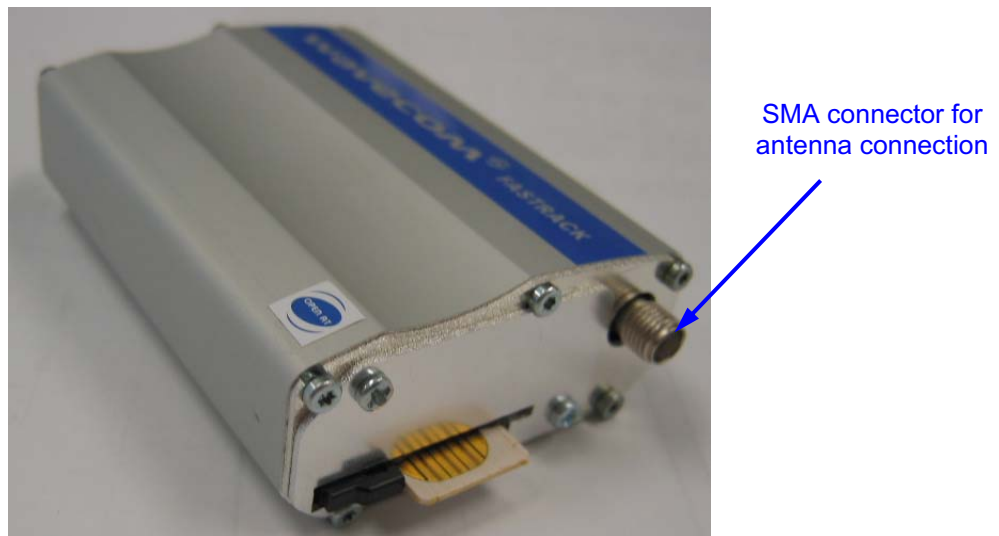
Figure 5: FASTRACK Supreme holding bridles

## 3.2 External Connections

### 3.2.1 Connectors

#### 3.2.1.1 Antenna Connector

The antenna connector is a SMA type connector for a 50  $\Omega$  RF connection.



**Figure 6: SMA connector for antenna connection**

#### 3.2.1.2 Power Supply Connector

The power supply connector is a 4-pin Micro FIT connector for:

- external DC Power Supply connection,
- GPIOs connection (two General Purpose Input/Output signals available).



**Figure 7: Power supply connector**

**Table 1: Power supply connector pin description**

Pin #	Signal	I/O	I/O type	Description	Reset State	Comment
1	V+BATTERY	I	Power supply	Battery voltage input: <ul style="list-style-type: none"> <li>5.5 V Min.</li> <li>13.2 V Typ.</li> <li>32 V Max.</li> </ul>		High current
2	GND		Power supply	Ground		
3	GPIO21	I/O	2V8	General Purpose Input/output	Undefined	Not mux
4	GPIO25	I/O	2V8	General Purpose Input/output	Z	Multiplex with INT1

**Warning:**

**Both pin 3 and pin 4 are used by GPIO interface. It is strictly prohibited to connect them to any power supply at the risk of damage to the FASTRACK Supreme.**

**3.2.1.3 Sub HD 15-pin Connector**

The Sub D high density 15-pin connector is used for:

- RS232 serial link connection,
- Audio lines (microphone and speaker) connection,
- BOOT and RESET signal connection.



**Figure 8: Sub HD 15-pin connector**

**Table 2: Sub HD 15-pin connector description**

Pin #	Signal (CCITT / EIA)	I/O	I/O type	Description	Comment
1	CDCD/CT109	O	STANDARD RS232	RS232 Data Carrier Detect	
2	CTXD/CT103	I	STANDARD RS232	RS232 Transmit serial data	
3	BOOT	I	CMOS	Boot	This signal must not be connected. Its use is strictly reserved to Wavecom or competent retailers.
4	CMIC2P	I	Analog	Microphone positive line	
5	CMIC2N	I	Analog	Microphone negative line	
6	CRXD/CT104	O	STANDARD RS232	RS232 Receive serial data	
7	CDSR/CT107	O	STANDARD RS232	RS232 Data Set Ready	
8	CDTR/CT108-2	I	STANDARD RS232	RS232 Data Terminal Ready	
9	GND	-	GND	Ground	



## Fastrack Supreme User Guide

### General Presentation

Pin #	Signal (CCITT / EIA)	I/O	I/O type	Description	Comment
10	CSPK2P	O	Analog	Speaker positive line	
11	CCTS/CT106	O	STANDARD RS232	RS232 Clear To Send	
12	CRTS/CT105	I	STANDARD RS232	RS232 Request To Send	
13	CRI/CT125	O	STANDARD RS232	RS232 Ring Indicator	
14	RESET	I/O	Schmitt	Supreme Plug & Play reset	Active low
15	CSPK2N	O	Analog	Speaker negative line	

#### 3.2.1.4 IES Connector

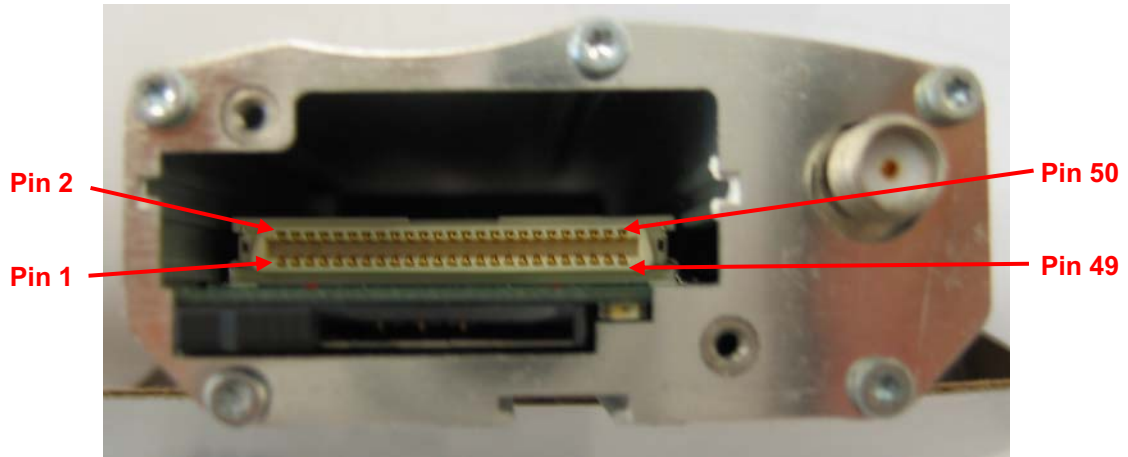
The IES connector is a 50 pins board-to-board connector for expanding application features like GPS, USB, I/O expander... Currently there are already 3 IESM boards available for customer to expand the FASTRACK Supreme features immediately. They are:

- IESM-GPS+USB+I/O
- IESM-GPS+USB
- IESM-USB+I/O

For detail, please refer to Document in Section 1.1.5.

## Fastrack Supreme User Guide General Presentation

For sales and support, please contact Wavecom sales/FAE or your distributor.



**Figure 9: IES connector for feature expansion**

**Table 3: IES Connector Description**

Pin Number	Signal Name		I/O type	Voltage	I/O*	Reset State	Description	Dealing with unused pins
	Nominal	Mux						
1	GND						Ground	
2	GND						Ground	
3	GPIO4	COL0	C8	GSM-1V8	I/O	Pull-up	Keypad column 0	NC
4	GPIO5	COL1	C8	GSM-1V8	I/O	Pull-up	Keypad column 1	NC
5	GPIO6	COL2	C8	GSM-1V8	I/O	Pull-up	Keypad column 2	NC
6	GPIO7	COL3	C8	GSM-1V8	I/O	Pull-up	Keypad column 3	NC
7	VPAD-USB			VPAD-USB	I		USB Power supply input	NC
8	USB-DP			VPAD-USB	I/O		USB Data	NC
9	USB-DM			VPAD-USB	I/O		USB Data	NC
10	GSM-1V8*			GSM-1V8	O		1.8V Supply Output (for GPIO pull-up only)	NC
11	GSM-2V8*			GSM-1V8	O		2.8V Supply Output (for GPIO pull-up only)	NC
12	BOOT			GSM-1V8	I		Not Used	Add a test point / a jumper/ a switch to VCC_1V8 (Pin 10) in case Download Specific mode is used (See product specification for details)
13	~RESET		C4	GSM-1V8	I/O		RESET Input	NC or add a test point
14	AUX-ADC		A2	Analog	I		Analog to Digital Input	Pull to GND
15	~SPI1-CS	GPIO31	C1	GSM-2V8	O	Z	SPI1 Chip Select	NC
16	SPI1-CLK	GPIO32	C1	GSM-2V8	O	Z	SPI1 Clock	NC
17	SPI1-I	GPIO30	C1	GSM-2V8	I	Z	SPI1 Data Input	NC
18	SPI1-IO	GPIO29	C1	GSM-2V8	I/O	Z	SPI1 Data Input / Output	NC
19	SPI2-CLK	GPIO32	C1	GSM-2V8	O	Z	SPI2 Clock	NC
20	SPI2-IO	GPIO33	C1	GSM-2V8	I/O	Z	SPI2 Data Input / Output	NC
21	~SPI2-CS	GPIO35	C1	GSM-2V8	O	Z	SPI2 Chip Select	NC
22	SPI2-I	GPIO34	C1	GSM-2V8	I	Z	SPI2 Data Input	NC
23	CT104-RXD2	GPIO15	C1	GSM-1V8	O	Z	Auxiliary RS232 Receive	Add a test point for firmware upgrade
24	CT103-TXD2	GPIO14	C1	GSM-1V8	I	Z	Auxiliary RS232 Transmit	(TXD2) Pull-up to VCC_1V8 with 100kΩ and add a test point for firmware update
25	~CT106-CTS2	GPIO16	C1	GSM-1V8	O	Z	Auxiliary RS232 Clear To Send	(CTS2) Add a test point for firmware update
26	~CT105-RTS2	GPIO17	C1	GSM-1V8	I	Z	Auxiliary RS232 Request To Send	(RTS2) Pull-up to VCC_1V8 with 100kΩ and add a test point for

## Fastrack Supreme User Guide

### General Presentation

Pin Number	Signal Name		I/O type	Voltage	I/O*	Reset State	Description	Dealing with unused pins
	Nominal	Mux						
								firmware update
<b>27</b>	GPIO8	COL4	C8	GSM-1V8	I/O	Pull-up	Keypad column 4	NC
<b>28</b>	GPIO26	SCL	A1	Open Drain	O	Z	I <sup>2</sup> C Clock	NC
<b>29</b>	GPIO19		C1	GSM-2V8	I/O	Z		NC
<b>30</b>	GPIO27	SDA	A1	Open Drain	I/O	Z	I <sup>2</sup> C Data	NC
<b>31</b>	GPIO20		C1	GSM-2V8	I/O	Undefined		NC
<b>32</b>	INT0	GPIO3	C1	GSM-1V8	I	Z	Interruption 0 Input	If INT0 is not used, it should be configured as GPIO
<b>33</b>	GPIO23	**	C1	GSM-2V8	I/O	Z		NC
<b>34</b>	GPIO22	**	C1	GSM-2V8	I/O	Z		NC
<b>35</b>	~CT108-2-DTR1	GPIO41	C1	GSM-2V8	I	Z	Main RS232 Data Terminal Ready	(DTR1) Pull-up to VCC_2V8 with 100kΩ
<b>36</b>	PCM-SYNC			GSM-1V8	O	Pull-down	PCM Frame Synchro	NC
<b>37</b>	PCM-IN		C5	GSM-1V8	I	Pull-up	PCM Data Input	NC
<b>38</b>	PCM-CLK			GSM-1V8	O	Pull-down	PCM Clock	NC
<b>39</b>	PCM-OUT			GSM-1V8	O	Pull-up	PCM Data Output	NC
<b>40</b>	AUX-DAC			Analog	O		Digital to Analog Output	NC
<b>41</b>	VCC-2V8			VCC_2V8	O		LDO 2.8V Supply Output	NC
<b>42</b>	GND						Ground	
<b>43</b>	DC-IN			DC-IN from 5.5V~32VDC	O		DC voltage input through Micro-Fit connector	NC
<b>44</b>	DC-IN			DC-IN from 5.5V~32VDC	O		DC voltage input through Micro-Fit connector	NC
<b>45</b>	GND						Ground	
<b>46</b>	4V			4V	O		4V DC/DC converter Output	NC
<b>47</b>	4V			4V	O		4V DC/DC converter Output	NC
<b>48</b>	GND						Ground	
<b>49</b>	GND						Ground	
<b>50</b>	GND						Ground	

**3.2.2 Power supply cable**

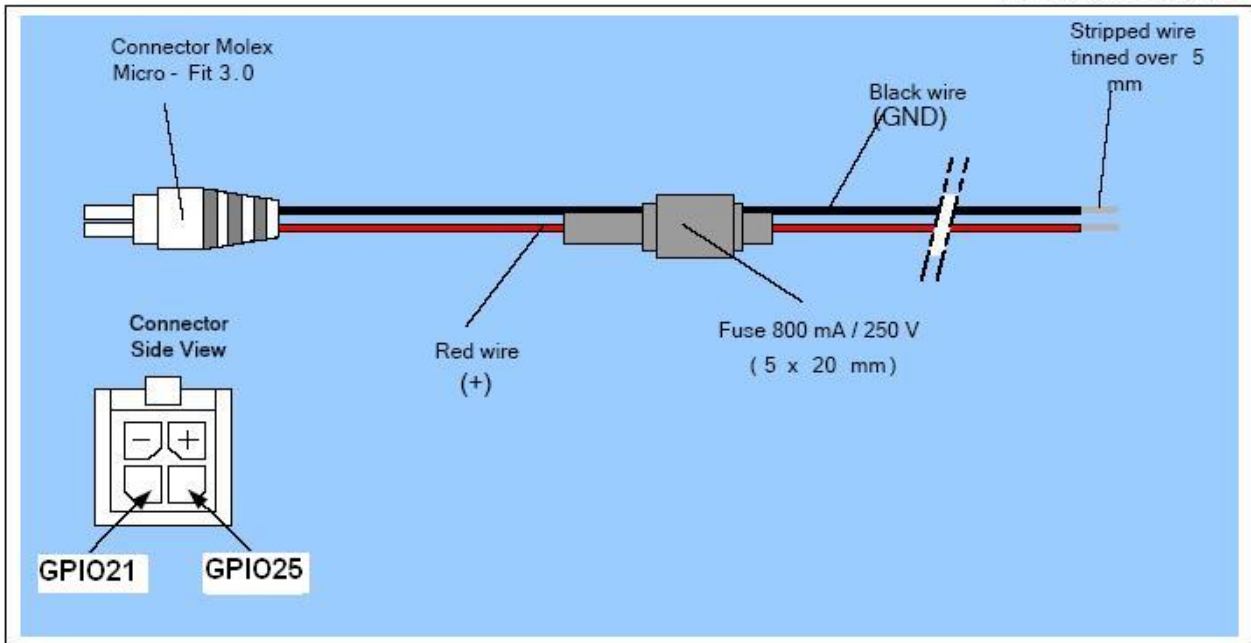


Figure 10: Power supply cable

## Fastrack Supreme User Guide General Presentation

Component	Characteristics
Micro-Fit connector 4-pin	Part number: MOLEX 43025-0400
Cable	Cable length: ~1.5 m
Wire	Core: tinned copper 24 x 0.2 mm
	Section: 0.75 mm <sup>2</sup>

## 4 Features and Services

### 4.1 Basic Features and Services

Basic features of the FASTRACK Supreme and available services are summarized in the table below.

**Table 4: Basic features of the FASTRACK Supreme**

Features	GSM850 / GSM900	DCS1800 / PCS1900
<b>Open AT<sup>®</sup></b>	Open AT <sup>®</sup> programmable: Native execution of embedded standard ANSI C applications, Custom AT command creation, Custom application library creation, Standalone operation.	
<b>Standard</b>	850MHz / 900 MHz. E-GSM compliant. Output power: class 4 (2W). Fully compliant with ETSI GSM phase 2 + small MS.	1800 MHz / 1900MHz  Output power: class 1 (1W). Fully compliant with ETSI GSM phase 2 + small MS.
<b>GPRS</b>	Class 10. PBCCH support. Coding schemes: CS1 to CS4. Compliant with SMG31bis. Embedded TCP/IP stack.	
<b>EGPRS</b>	Output power: 0.5W	Output power: 0.4W
<b>(for FASTRACK Supreme 20 only)</b>	Class 10. PBCCH support. Coding schemes: MCS1 to MCS9. Compliant with SMG31bis. Embedded TCP/IP stack.	

**Fastrack Supreme User Guide**  
**Features and Services**

Features	GSM850 / GSM900	DCS1800 / PCS1900
<b>Interfaces</b>	RS232 (V.24/V.28) Serial interface supporting: <ul style="list-style-type: none"> <li>▪ Baud rate (bits/s): 300, 600, 1200, 2400, 4800, 9600, 19200, 38400, 57600, 115200, 230400, 460800 and 921600.</li> <li>▪ Autobauding (bits/s): from 1200 to 921600.</li> </ul> 2 General Purpose Input/Output gates (GPIOs) available. 1.8 V / 3 V SIM interface. AT command set based on V.25ter and GSM 07.05 & 07.07. Open AT <sup>®</sup> interface for embedded application. Open AT <sup>®</sup> Plug-In Compatible.	
<b>SMS</b>	Text & PDU. Point to point (MT/MO). Cell broadcast.	
<b>Data</b>	Data circuit asynchronous. Transparent and Non Transparent modes. Up to 14.400 bits/s. MNP Class 2 error correction. V42.bis data compression.	
<b>Fax</b>	Automatic fax group 3 (class 1 and Class 2).	
<b>Audio</b>	Echo cancellation Noise reduction Telephony. Emergency calls. Full Rate, Enhanced Full Rate, Half Rate operation and Adaptive Multi-Rate (FR/EFR/HR/AMR). Dual Tone Multi Frequency function (DTMF).	



**Fastrack Supreme User Guide**  
**Features and Services**

Features	GSM850 / GSM900	DCS1800 / PCS1900
<b>GSM supplement services</b>	Call forwarding. Call barring. Multiparty. Call waiting and call hold. Calling line identity. Advice of charge. USSD	
<b>Other</b>	DC power supply Real Time Clock with calendar Complete shielding	

For other detailed technical characteristics, refer to Section 8.

## **4.2 Additional NEW Features**

### **4.2.1 Support Additional GSM850/PCS1900 Bands**

Apart from GSM900/DCS1800, the FASTRACK Supreme Plug & Play now supports also the GSM850/PCS1900 bands. FASTRACK Supreme is fully compliant to PTCRB and FCC also.

### **4.2.2 IES Interface for Easy Expansion of Application Features**

The FASTRACK Supreme Plug & Play offers a 50 pin Internal Expansion Socket (IES) Interface accessible for customer use. It is the additional interface which is easy for customers to expand their application features without voiding the warranty of the FASTRACK Supreme, by simply plugging in an Internal Expansion Socket Module (IESM) board through the matting connector of the IES interface.

Thanks to the flexible IES interface, customers are ready to expand the application features by plugging in the corresponding Internal Expansion Socket Module (IESM) of GPS, I/O expander..., etc.

For brief description of the interface, please refer to Section 3.2.1.4.

For technical detail, please refer to Document [11] or contact your Wavecom distributor or Wavecom FAE.

### **4.2.3 Serial Port Auto Shut Down or Improving Power Consumption**

In order to save power consumption when there is no data communication between the Plug & Play and the DTE, FASTRACK Supreme has now implemented the Serial Port Auto Shut Down feature. User can activate or deactivate the Serial Port Auto Shut Down mode by simple AT-command.

For detail, please refer to Section 7.3.4.

### **4.2.4 Real Time Clock (RTC) for Saving Date and Time**

The FASTRACK Supreme has now implemented the Real Time Clock for saving date and time when the Plug & Play is unplugged from the DC power supply through the DC power cable.

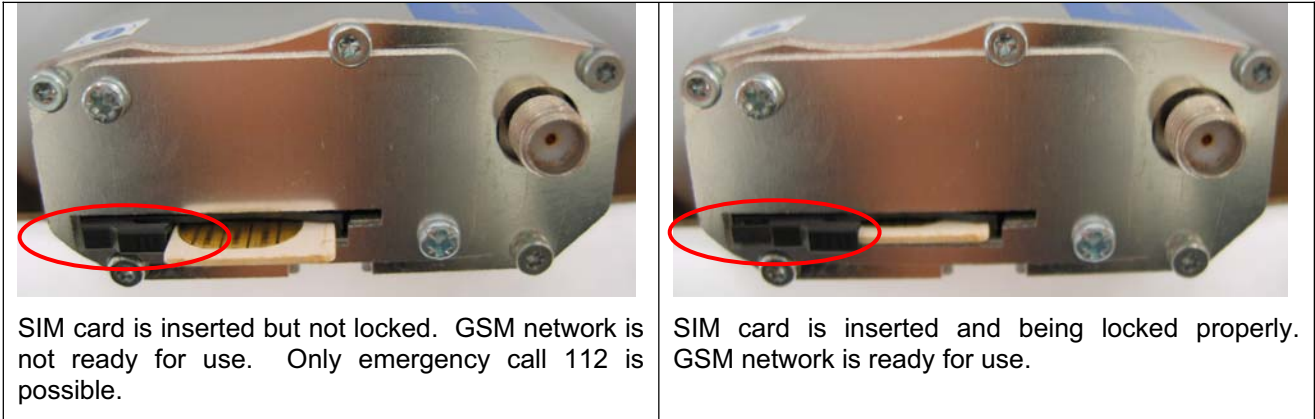
For detail, please refer to Section 7.8.

## Fastrack Supreme User Guide

### Features and Services

#### 4.2.5 SIM Card Lock Feature

The FASTRACK Supreme has now implemented a SIM connector having a carrier with lock. This helps ensuring the user to have proper SIM card insertion and locked before proper use of GSM network.



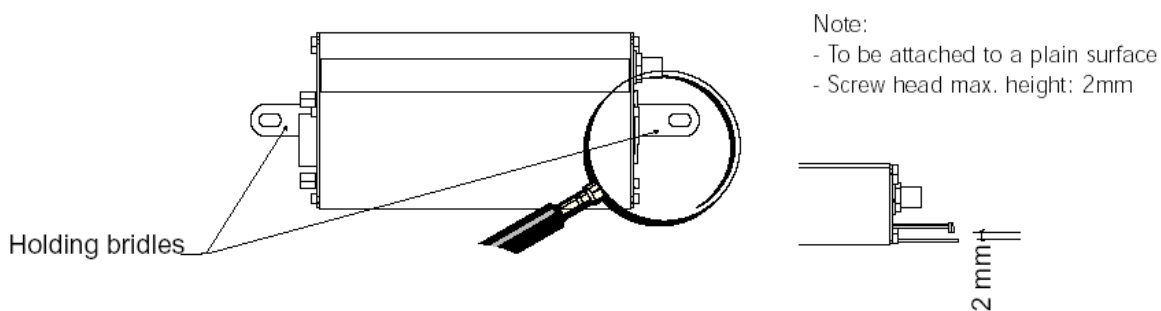
**Figure 11: SIM card lock feature**

## 5 Using the FASTRACK Supreme Plug & Play

### 5.1 Getting Started

#### 5.1.1 Mount the FASTRACK Supreme

To mount the FASTRACK Supreme on its support, bind it using the holding bridles as shown in the Figure 12 below.



**Figure 12: FASTRACK Supreme mounting**

For the drill template, refer to Figure 18.

#### 5.1.2 Set up the FASTRACK Supreme

To set up the FASTRACK Supreme, perform the following operations:

- Insert the SIM card into the SIM card holder of the FASTRACK Supreme.
- Lock the SIM card by sliding the lever towards the SIM card.
- Connect the antenna to the SMA connector.
- Connect both sides of the serial and control cable (15-pin Sub HD connector on the FASTRACK Supreme side).
- Connect the power supply cable to the external power supply source.

**Note:**

For automotive application, it is recommended to connect the V+BATTERY line of the FASTRACK Supreme directly to the battery positive terminal.

- Plug the power supply cable into the FASTRACK Supreme and switch on the external power supply source.
- The FASTRACK Supreme is ready to work. Refer to Section 5.10 for the description of AT commands used to configure the FASTRACK Supreme.

## Fastrack Supreme User Guide

### Using the FASTRACK Supreme Plug & Play

#### 5.1.3 Check the communication with the FASTRACK Supreme

To check the communication with the FASTRACK Supreme, do the following operations:

- Connect the RS232 link between the DTE (port COM) and the FASTRACK Supreme (DCE).
- Configure the RS232 port of the DTE as follows:
  - Bits per second: **115.200 bps**,
  - Data bits: **8**,
  - Parity: **None**,
  - Stop bits: **1**,
  - Flow control: **hardware**.
- Using a communication software such as a HyperTerminal, enter the **AT** command. The response of the FASTRACK Supreme must be **OK** displayed in the HyperTerminal window.
- If the communication cannot be established with the FASTRACK Supreme, do the following:
  - Check the RS232 connection between the DTE and the FASTRACK Supreme (DCE),
  - Check the configuration of the port COM used on the DTE.
- Example of AT commands which can be used after getting started the FASTRACK Supreme:
  - **AT+CGMI**: FASTRACK Supreme answer is "WAVECOM MODEM" when serial link is OK.
  - **AT+CPIN=xxxx**: to enter a PIN code xxxx (if activated).
  - **AT+CSQ**: to verify the received signal strength.
  - **AT+CREG?**: to verify the registration of the FASTRACK Supreme Plug & Play on the network.
  - **ATD<phone number>**;: to initiate a voice call.
  - **ATH**: to hang up (end of call).

For further information on these AT commands and their associated parameters, refer to "AT Commands Interface Guide" [6].

#### 5.1.4 Reset the FASTRACK Supreme

To reset the FASTRACK Supreme, a hardware reset signal is available on pin 14 of the Sub HD 15-pin connector (RESET).

The FASTRACK Supreme reset is carried out when this pin is low for at least 200  $\mu$ s.

**Warning** This signal has to be considered as an emergency reset only. For further details on the FASTRACK Supreme reset, refer to Section 7.7.

## Fastrack Supreme User Guide

### Using the FASTRACK Supreme Plug & Play

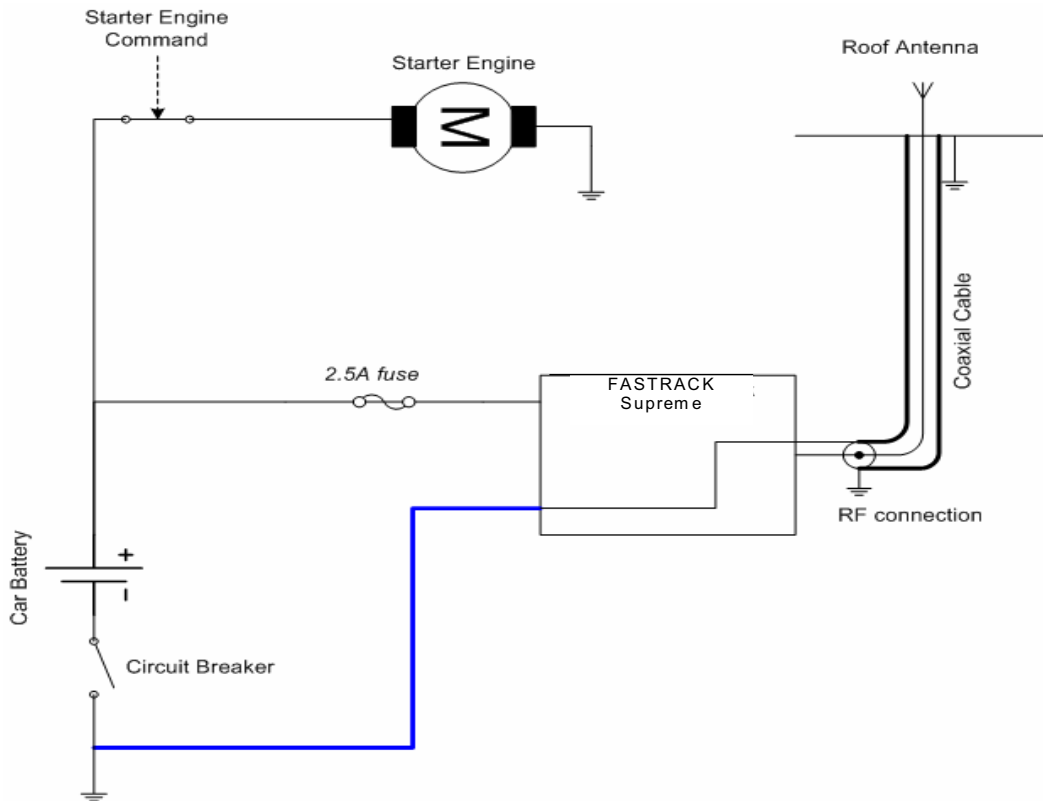
#### 5.2 Specific Recommendations when Using the FASTRACK Supreme on Trucks

**Warning:** The power supply connection of the FASTRACK Supreme must NEVER be directly connected to the truck battery.

##### 5.2.1 Recommended Power Supply Connection on Trucks

All trucks have a circuit breaker on the exterior of the cabin. The circuit breaker is used for safety reasons: if a fire blazes in the trucks, (for example, on the wiring trunk) the driver may cut the current source to avoid any damage (explosion). The circuit breaker is connected to the truck ground, most often associated with the fuse box.

Most of truck circuit breakers do not cut the Positive Supply line of the battery, but cut the ground line of the later.



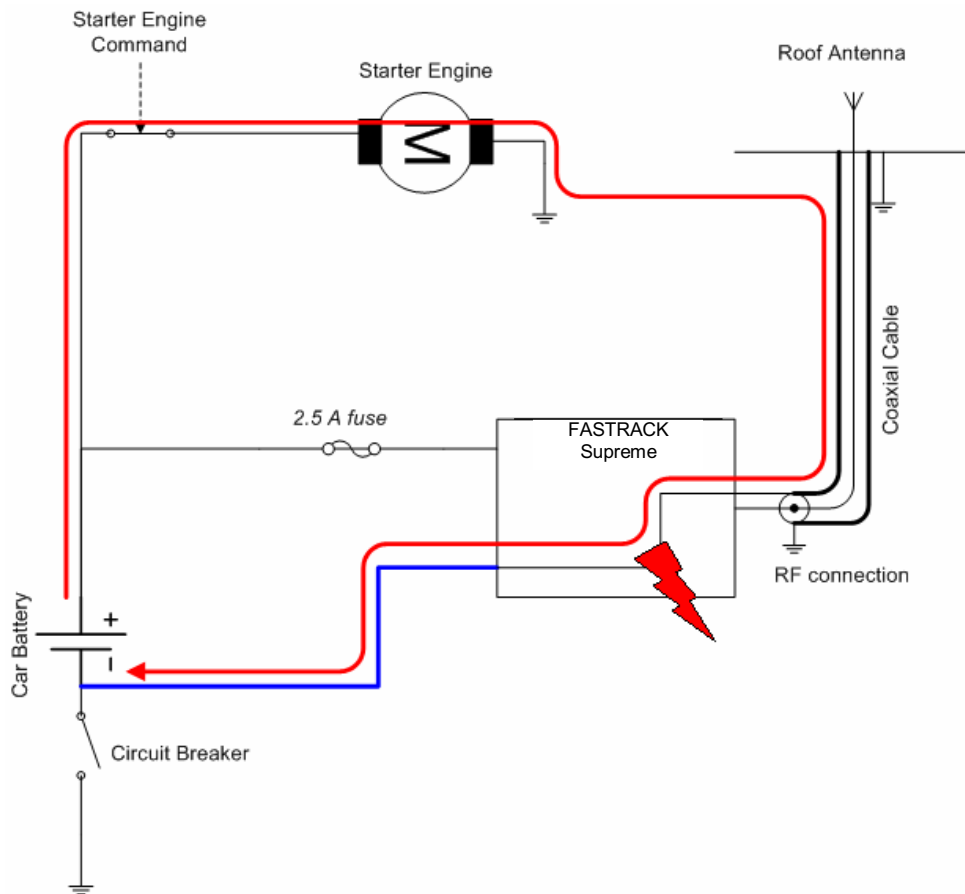
**Figure 13: Recommended power supply connection on trucks**

Figure 13 gives the recommended power supply connection where the ground connection of the FASTRACK Supreme is not directly connected to the battery but is connected after the Circuit Breaker (on the truck ground or the fuse box).

##### 5.2.2 Technical Constraints on Trucks

It is highly not recommended to connect directly the power supply on the battery rather than on the circuit breaker. The FASTRACK Supreme may be damaged when starting the truck if the circuit breaker is switched OFF (in this case, the truck ground and the battery ground will be connected through the FASTRACK Supreme as shown in the figure below).

## Fastrack Supreme User Guide Using the FASTRACK Supreme Plug & Play



**Figure 14: Example of electrical connection which may dramatically damage the FASTRACK Supreme**

Figure 14 gives an example of electrical connection which may dramatically damage the FASTRACK Supreme when its ground connection is directly connected to the battery ground.

In this example, when the circuit breaker is switched OFF, the current flows through the FASTRACK Supreme and powers the electrical circuit of the truck (for example, dashboard).

Furthermore, when the Starter Engine command will be used, it will destroy the cables or the FASTRACK Supreme.

Since the internal tracks are not designed to support high current (up to 60 A when starting the truck), they will be destroyed.

### 5.3 FASTRACK Supreme Operational Status

The FASTRACK Supreme operational status is given by the red LED status located next to the SIM connector on the FASTRACK Supreme panel.

The Table 5 below gives the meaning of the various statuses available.

## Fastrack Supreme User Guide

### Using the FASTRACK Supreme Plug & Play

**Table 5: FASTRACK Supreme operational status**

LED Status	LED light activity	FASTRACK Supreme Plug & Play status
ON	LED ON permanent	FASTRACK Supreme is switched ON but not registered on the network
	LED Flashing slowly	FASTRACK Supreme is switched ON and registered on the network, but no communication is in progress (Idle mode)
	LED Flashing rapidly	FASTRACK Supreme is switched ON and registered on the network, and a communication is in progress
OFF	LED OFF	FASTRACK Supreme is switched OFF, or Flash LED is disabled* by the user.

\* : Flash LED can be disabled by user when in Slow Standby mode in order to save power consumption. For detail, please refer to Section 7.9.

#### 5.4 Echo Function Disabled

If no echo is displayed when entering an AT command, that means:

- The "local echo" parameter of your communication software (such as HyperTerminal) is disabled.
- The FASTRACK Supreme echo function is disabled.

To enable the FASTRACK Supreme echo function, enter the **ATE1**.

When sending AT commands to the FASTRACK Supreme by using a communication software, it is recommended:

- to disable the "local echo" parameter of your communication software (such as HyperTerminal),
- to enable the FASTRACK Supreme echo function (**ATE1** command).

In a Machine To Machine communication with the FASTRACK Supreme, it is recommended to disable the FASTRACK Supreme echo function (**ATE0** command) in order to avoid useless CPU processing.

For further information on **ATE0** and **ATE1** commands, refer to "AT Commands Interface Guide" [6].



### 5.5 Verify the Received Signal Strength

The FASTRACK Supreme establishes a call only if the received signal is sufficiently strong.

To verify the received signal strength, do the following operations:

- Using a communication software such as HyperTerminal, enter the AT command **AT+CSQ**. The response returned has the following format:  
**+CSQ: <rssi>, <ber>** with:
  - **<rssi>** = received signal strength indication,
  - **<ber>** = channel bit error rate.
- Verify the **<rssi>** value returned using the Table 6 below.

**Table 6: Values of received signal strength**

Value of received signal strength indication (<rssi>)	Interpretation of the received signal strength
0 - 10	Insufficient(*)
11 - 31	Sufficient(*)
32 - 98	Not defined
99	No measure available

(\*) Based on general observations.

For further information on AT commands, refer to "AT Commands Interface Guide" [6].

### 5.6 Check the Pin Code Status

To check that the pin code has been entered, use a communication software such as a HyperTerminal, then enter **AT+CPIN?** command.

The table below gives the main responses returned:

**Table 7: AT+CPIN Responses**

AT+CPIN response (*)	Interpretation
+CPIN: READY	Code PIN has been entered
+CPIN: SIM PIN	Code PIN has not been entered

(\*) For further information on the other possible responses and their meaning, refer to "AT Commands Interface Guide" [6].

### 5.7 Switch between EU/US Band(s)

To switch between EU/US band(s) for the FASTRACK Supreme, use a communication software such as a HyperTerminal, then enter **AT+WMBS=<band> [ , <param>]** command.

The table below gives the commands for various band(s) selection:

**Fastrack Supreme User Guide**  
Using the FASTRACK Supreme Plug & Play

**Table 8: AT+WMBS Band Selection**

<b>AT+WMBS response (*)</b>	<b>Interpretation</b>
AT+WMBS=0, x	Select mono band mode 850MHz.
AT+WMBS=1, x	Select mono band mode extended 900MHz
AT+WMBS=2, x	Select mono band mode 1800MHz
AT+WMBS=3, x	Select mono band mode 1900MHz
AT+WMBS=4, x	Select dual band mode 850/1900MHz
AT+WMBS=5, x	Select dual band mode extended 900MHz/1800MHz
AT+WMBS=6, x	Select dual band mode extended 900MHz/1900MHz

(\*)For further information on the other possible responses and their meaning, refer to "AT Commands Interface Guide" [6].

Remark:

**x=0** : The Plug & Play will have to be reset to start on specified band(s).

**x=1** : The change is effective immediately. This mode is forbidden while in communication and during Plug & Play initialization.

Refer to "AT Commands Interface Guide" [6] for further information on AT commands.

**5.8 Check the Band(s) Selection**

To check the band selection for the FASTRACK Supreme, use a communication software such as a HyperTerminal, then enter **AT+WMBS?** command.

The table below gives the main responses returned:

**Table 9: AT+WMBS Responses**

<b>AT+WMBS response (*)</b>	<b>Interpretation</b>
+WMBS : 0, x	Mono band mode 850MHz is selected
+WMBS : 1, x	Mono band mode extended 900MHz is selected
+WMBS : 2, x	Mono band mode 1800MHz is selected
+WMBS : 3, x	Mono band mode 1900MHz is selected
+WMBS : 4, x	Dual band mode 850/1900MHz are selected
+WMBS : 5, x	Dual band mode extended 900MHz/1800MHz are selected
+WMBS : 6, x	Dual band mode extended 900MHz/1900MHz are selected

(\*)For further information on the other possible responses and their meaning, refer to "AT Commands Interface Guide" [6].

## Fastrack Supreme User Guide

### Using the FASTRACK Supreme Plug & Play

#### 5.9 Verify the FASTRACK Supreme Network Registration

1. Make sure a valid SIM card has been previously inserted and locked in the FASTRACK Supreme SIM card holder.
2. Using a communication software such as a HyperTerminal, enter the following AT commands:
  - a. **AT+CPIN=xxxx** to enter PIN code xxxx.
  - b. **AT+WMBS?** To check the current band setting in the Plug & Play
  - c. **AT+WMBS=<Band> [ ,<param>]** To switch band/mode when needed
  - d. **AT+CREG?** . To ascertain the registration status.  
The format of the returned response is as follows:  
**+CREG: <mode>,<stat>** with:
    - **<mode>** = unsolicited registration message configuration,
    - **<stat>** = registration state.
3. Verify the state of registration according the returned value given in the table below.

**Table 10: Values of network registration**

Returned Value (*) <mode>,<stat>	Network registration
+CREG: 0,0	No (not registered)
+CREG: 0,1	Yes (registered, home network)
+CREG: 0,5	Yes (registered, roaming)

(\*)For further information on the other returned values and their meaning, refer to "AT Commands Interface Guide" [6].

## Fastrack Supreme User Guide Using the FASTRACK Supreme Plug & Play

If the FASTRACK Supreme is not registered, perform the following procedure:

- Check the connection between the FASTRACK Supreme and the antenna.
- Verify the signal strength to determine the received signal strength (refer to Section 5.5).

**Note:** For information on AT command relating to the network registration in GPRS mode, and in particular: CGREG, CGCLASS, CGATT, refer to "AT Commands Interface Guide" [6].

### 5.10 Main AT Commands for the Plug & Play

The table below lists the main AT commands required for starting the Plug & Play.

For other AT commands available or further information on the AT commands, refer to "AT Commands Interface Guide" [6].

**Table 11: Main usual AT commands for the Plug & Play**

Description	AT commands	FASTRACK Supreme Plug & Play response	Comment
Check for selected band(s)	AT+WMBS?	+WMBS:<Band>,<ResetFlag> OK	Current selected band mode is return
Band(s) switch	AT+WMBS=<Band>	OK	Band switch is accepted, Plug & Play has to be reset for change to be effective
	AT+WMBS=<Band>,0	OK	Band switch is accepted, Plug & Play has to be reset for change to be effective
	AT+WMBS=<Band>,1	OK	Band switch is accepted and GSMS stack restarted
	AT+WMBS=<Band>	+CME ERROR: 3	Band not allowed
Enter PIN Code	AT+CPIN=xxxx (xxxx = PIN code)	OK	PIN Code accepted.
		+CME ERROR: 16	Incorrect PIN Code (with +CMEE = 1 mode) (1*)
		+CME ERROR: 3	PIN code already entered (with +CMEE = 1 mode) (1*)
Network registration checking	AT+CREG?	+CREG: 0,1	FASTRACK Supreme Plug & Play registered on the network.
		+CREG: 0,2	FASTRACK Supreme Plug & Play not registered on the network, registration attempt.

## Fastrack Supreme User Guide

### Using the FASTRACK Supreme Plug & Play

Description	AT commands	FASTRACK Supreme Plug & Play response	Comment
		+CREG: 0,0	FASTRACK Supreme Plug & Play not registered on the network, no registration attempt.
Receiving an incoming call	ATA	OK	Answer the call.
Initiate a call	ATD<phone number>; (Don't forget the « ; » at the end for « voice » call)	OK	Communication established.
		+CME ERROR: 11	PIN code not entered (with +CMEE = 1 mode).
		+CME ERROR: 3	AOC credit exceeded or a communication is already established.
Initiate an emergency call	ATD112; (Don't forget the « ; » at the end for « voice » call)	OK	Communication established.
Communication loss		NO CARRIER	
Hang up	ATH	OK	
Store the parameters in EEPROM	AT&W	OK	The configuration settings are stored in EEPROM.

(1\*) The command "AT+CMEE=1" switch to a mode enabling more complete error diagnostics.

### 5.11 Firmware Upgrade Procedure

The firmware upgrade procedure is used to update the firmware embedded into the FASTRACK Supreme.

That procedure consists in downloading the firmware into internal memories through the RS232 serial link available on the SUB-D 15-pin connector.

Refer to "Firmware upgrade procedure" [8] for a detailed description of this procedure.

## 6 Troubleshooting

This section of the document describes possible problems encountered when using the FASTRACK Supreme and their solutions.

To review other troubleshooting information, refer the 'FAQs' (Frequently Asked Questions) page at [www.wavecom.com](http://www.wavecom.com) or use the following link:  
<http://www.wavecom.com/support/faqs.php>

### 6.1 No Communication with the FASTRACK Supreme through the Serial Link

If the FASTRACK Supreme does not answer to AT commands through the serial link, refer to the table below for possible causes and solutions.

**Table 12: Solutions for no connection with FASTRACK Supreme through serial link**

If the Supreme returns	then ask	Action
Nothing	Is the FASTRACK Supreme powered correctly?	Make sure the external power supply is connected to the FASTRACK Supreme and provides a voltage in the range of 5.5 V to 32 V.
	Is the serial cable connected at both sides?	Check the serial cable connection
	Does the serial cable follow correctly pin assignment shown in paragraph 3.2.1.2.	Connect the cable by following pin assignment given in paragraph 3.2.1.1.
Nothing or non-significant characters	Is the communication program properly configured on PC?	Ensure the setting of the communication program is fit to setting of FASTRACK Supreme. FASTRACK Supreme factory setting is: Data bits = 8 Parity = none Stop bits = 1 Baud = 115 200 bps. Flow control = hardware
	Is there another program interfering with the communication program (i.e. Conflict on communication port access)	Close the interfering program.

### 6.2 Receiving "ERROR" Message

The FASTRACK Supreme returns an "ERROR" message (in reply to an AT command) in the following cases:

## Fastrack Supreme User Guide

### Troubleshooting

- AT command syntax is incorrect: check the command syntax (refer to "AT Commands Interface Guide" [6]),
- AT command syntax is correct, but transmitted with wrong parameters:
- Enter the **AT+CME=1** command in order to change the error report method to the verbose method, which includes the error codes.
- Enter again the AT command which previously caused the reception of "ERROR" message in order to get the Mobile Equipment error code.

When the verbose error report method is enabled, the response of the FASTRACK Supreme in case of error is as follows:

- Either +CME ERROR: <error result code>,
- Or +CMS ERROR: <error result code>.

Refer to "AT Commands Interface Guide" [6] for error result code description and further details on the **AT +CME** command.

**Note:** It is strongly recommended to always enable the verbose error report method to get the Mobile Equipment error code (enter **AT +CME=1** command).

### 6.3 Receiving "NO CARRIER" Message

If the FASTRACK Supreme returns a "NO CARRIER" message upon an attempted call (voice or data), then refer to the table below for possible causes and solutions.

**Table 13: Solutions for "NO CARRIER" message**

If the Supreme returns...	Then ask...	Action...
<b>"NO CARRIER"</b>	Is the received signal strong enough?	Refer to section 5.5 to verify the strength of the received signal.
	Is the FASTRACK Supreme registered on the network?	Refer to section 5.9 to verify the registration.
	Is the antenna properly connected?	Refer to section 8.2.7.3 for antenna requirements.
	Is the band selection correction?	Refer to Section 7.2 for band switch
<b>"NO CARRIER"</b> (when trying to issue a voice communication)	Is the semicolon (;) entered immediately after the phone number in the AT command?	Ensure that the semicolon (;) is entered immediately after the phone number in the AT command. e.g. <b>ATD##### ;</b>
<b>"NO CARRIER"</b> (when trying to issue a data communication)	Is the SIM card configured for data / fax calls?	Configure the SIM card for data / fax calls (Ask your network provider if necessary).
	Is the selected bearer type supported by the called party?	Ensure that the selected bearer type is supported by the called party.
	Is the selected bearer type supported by the network?	Ensure that the selected bearer type is supported by the network.  If no success, try bearer selection type by AT command: <b>AT+CBST=0,0,3</b>

If the FASTRACK Supreme returns a **"NO CARRIER"** message, you may have the **extended error code** by using AT command **AT+CEER**. Refer to the table below for interpretation of **extended error code**.



**Table 14: Interpretation of extended error code**

Error Code	Diagnostic	Hint
1	Unallocated phone number	
16	Normal call clearing	
17	User busy	
18	No user responding	
19	User alerting, no answer	
21	Call rejected	
22	Number changed	
31	Normal, unspecified	
50	Requested facility not subscribed	
68	ACM equal or greater than ACMmax	Credit of your pre-paid SIM card expired.
252	Call barring on outgoing calls	
253	Call barring on incoming calls	
3, 6, 8, 29, 34, 38, 41, 42, 43, 44, 47, 49, 57, 58, 63, 65, 69, 70, 79, 254	Network causes	See "AT Commands Interface Guide" [6] for further details or call network provider.

**Note:** For all other codes, and/or details, see AT commands documentation [6].

## 7 Functional Description

### 7.1 Architecture

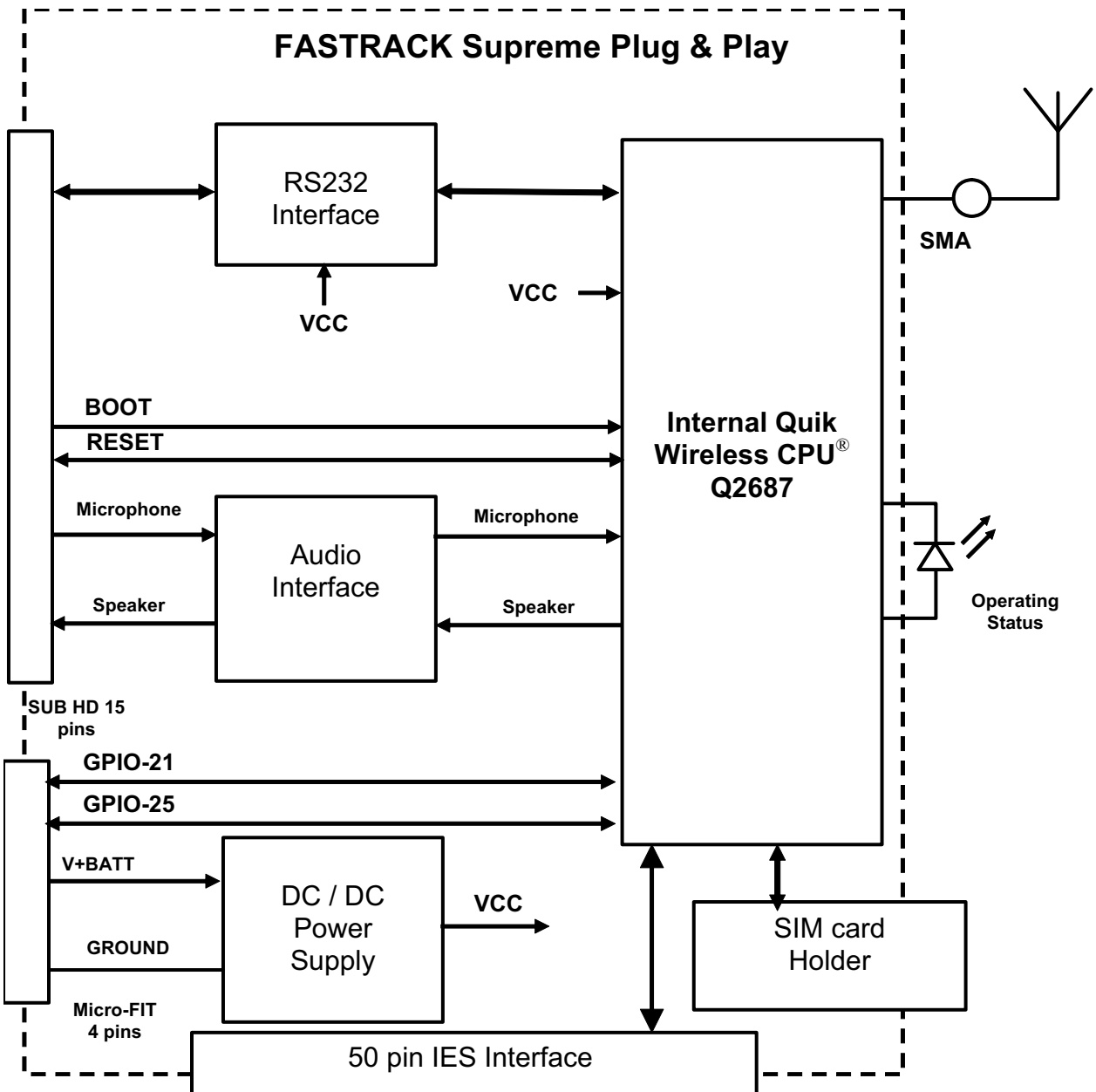


Figure 15: Functional architecture

## 7.2 EU and US Bands

### 7.2.1 General Presentation

The FASTRACK Supreme is a quad band Plug & Play. It supports either EU bands (EGSM900/DCS1800) or US bands (GSM850/PCS1900), depending on the band setting within the Plug & Play. Users are free to switch between EU bands and US bands by simple AT commands when the selected bands are supported.

### 7.2.2 AT COMMAND for Bands Switch

EU/US band is easily switched/checked by AT command **AT+WMBS**.

For detail, please refer to Section 5.7 and 5.8.

## 7.3 Power Supply

### 7.3.1 General Presentation

The FASTRACK Supreme is supplied by an external DC voltage (V+BATTERY) from +5.5 V to +32 V at 2.2 A.

Main regulation is made with an internal DC/DC converter in order to supply all the internal functions with a DC voltage.

Correct operation of the FASTRACK Supreme in communication mode is not guaranteed if input voltage (V+BATTERY) falls below 5.5 V.

**Note:** The minimum input voltage specified here is at the FASTRACK Supreme input. Be careful of the input voltage decrease caused by the power cable. See paragraph 8.2.1 for more information.

### 7.3.2 Protections

The FASTRACK Supreme is protected by a 800 mA / 250 V fuse directly bonded on the power supply cable.

The FASTRACK Supreme is also protected against voltage over +32 V.

Filtering guarantees:

- EMI/RFI protection in input and output,
- Signal smoothing.

## 7.4 RS232 Serial Link

### 7.4.1 General Presentation

The RS232 interface performs the voltage level adaptation (V24/CMOS  $\leftrightarrow$  V24/V28) between the internal FASTRACK Supreme Plug & Play (DCE) and the external world (DTE).

## Fastrack Supreme User Guide

### Functional Description

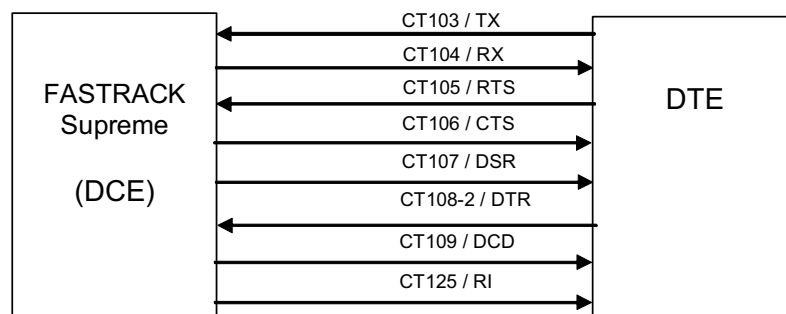
The RS232 interface is internally protected (by ESD protection) against electrostatic surges on the RS232 lines.

Filtering guarantees:

- EMI/RFI protection in input and output,
- Signal smoothing.

Signals available on the RS232 serial link are:

- TX data (CT103/TX),
- RX data (CT104/RX),
- Request To Send (CT105/RTS),
- Clear To Send (CT106/CTS),
- Data Terminal Ready (CT108-2/DTR),
- Data Set Ready (CT107/DSR),
- Data Carrier Detect (CT109/DCD),
- Ring Indicator (CT125/RI).



**Figure 16: RS232 Serial Link signals**

RS232 interface has been designed to allow flexibility in the use of the serial interface signals. However, the use of TX, RX, CTS and RTS signals is mandatory, which is not the case for DTR, DSR, DCD and RI signals which can be not used.

#### 7.4.2 Autobauding Mode

The autobauding mode allows the FASTRACK Supreme to detect the baud rate used by the DTE connected to the RS232 serial link.

Autobauding mode is controlled by AT commands. See "AT Commands Interface Guide" [6] for details on this function.

## Fastrack Supreme User Guide

### Functional Description

#### 7.4.3 Pin Description

Signal	Sub HD connector Pin number	I/O	I/O type RS232 STANDARD	Description
CTXD/CT103	2	I	TX	Transmit serial data
CRXD/CT104	6	O	RX	Receive serial data
CRTS/CT105	12	I	RTS	Request To Send
CCTS/CT106	11	O	CTS	Clear To Send
CDSR/CT107	7	O	DSR	Data Set Ready
CDTR/CT108-2	8	I	DTR	Data Terminal Ready
CDCD/CT109	1	O	DCD	Data Carrier Detect
CRI/CT125	13	O	RI	Ring Indicator
CT102/GND	9		GND	Ground

#### 7.4.4 Serial Port Auto shut down Feature

The UART1 can be shut down when there is no activity between the DTE and the FASTRACK Supreme Plug & Play. This can help for improving power consumption performance.

Serial Port Auto shut down feature is easily controlled by AT command **AT+WASR**.

- **AT+WASR=1** for entering the serial port auto shut down mode
- **AT+WASR=0** for exiting the serial port auto shut down mode

Refer to "AT Commands Interface Guide" [6] for further information on AT commands.

**CAUTION: GPIO24 is reserved for serial port auto shut down feature. It is prohibited for customer use. Improper access to GPIO24 by customer may lead to unexpected behavior on UART1 performance.**

## 7.5 General Purpose Input/Output (GPIO)

The FASTRACK Supreme provides two General Purpose Input / Output lines available for external use: GPIO21 and GPIO25.

These GPIOs may be controlled by AT commands:

- **AT+WIOW** for a write access to the GPIO value, when the GPIO is used as an output,
- **AT+WIOR** for a read access to the GPIO value, when the GPIO is used as an input.

Refer to "AT Commands Interface Guide" [6] for further information on AT commands.

After reset, both GPIOs are configured as inputs. The **AT+WIOM** command has to be used to change this configuration (refer to "AT Commands Interface Guide" [6] for further details).

### Pin description

Signal	Power Supply connector (4-pin Micro-Fit)	I/O	I/O Voltage	Reset state	Description	Multiplex with
GPIO21	3	I/O	2V8	Undefined	General Purpose I/O	No mux
GPIO25	4	I/O	2V8	Z	General Purpose I/O	INT1

#### Notes:

- The power supply cable may need to be modified due to the GPIO signals (GPIO21 & GPIO25) available on the 4-pin Micro-FIT connector of the FASTRACK Supreme.
- The previous generation M1306B have GPIO4 and GPIO5 being replaced by GPIO21 and GPIO25 respectively, for which **both are of LOW level at reset state.**

## 7.6 BOOT

This signal must not be connected. Its use is strictly reserved to Wavecom or competent retailers.

**Caution: Previous generation M1306B has BOOT signal of HIGH level at 2.8V. But the FASTRACK Supreme now of 1.8V BOOT instead.**

## 7.7 RESET

### 7.7.1 General presentation

This signal is used to force a reset procedure by providing low level during at least 200  $\mu$ s.

This signal must be considered as an emergency reset only. A reset procedure is automatically driven by an internal hardware during the power-up sequence.

## Fastrack Supreme User Guide

### Functional Description

This signal may also be used to provide a reset to an external device. It then behaves as an output. If no external reset is necessary, this input may be left open, if used (emergency reset), it has to be driven either by an open collector or an open drain output:

- RESET pin 14 = 0, for FASTRACK Supreme Reset,
- RESET pin 14 = 1, for normal mode.

### Pin description

Signal	Sub HD 15-Pin connector Pin number	I/O	I/O type	Voltage	Description
RESET	14	I/O	Open Drain	1V8	FASTRACK Supreme Reset

**Caution:** Previous generation M1306B has RESET signal of HIGH level at 2.8V. But the FASTRACK Supreme now of 1.8V RESET instead.

#### Additional comments on RESET:

The RESET process is activated either by the external RESET signal or by an internal signal (coming from a RESET generator). This automatic reset is activated at Power-up.

The FASTRACK Supreme remains in RESET mode as long as the RESET signal is held low.

**Caution:** This signal should be used only for "emergency" reset.

A software reset is always preferred to a hardware reset.

**Note:** See "AT Commands Interface Guide" [6] for further information on software reset.

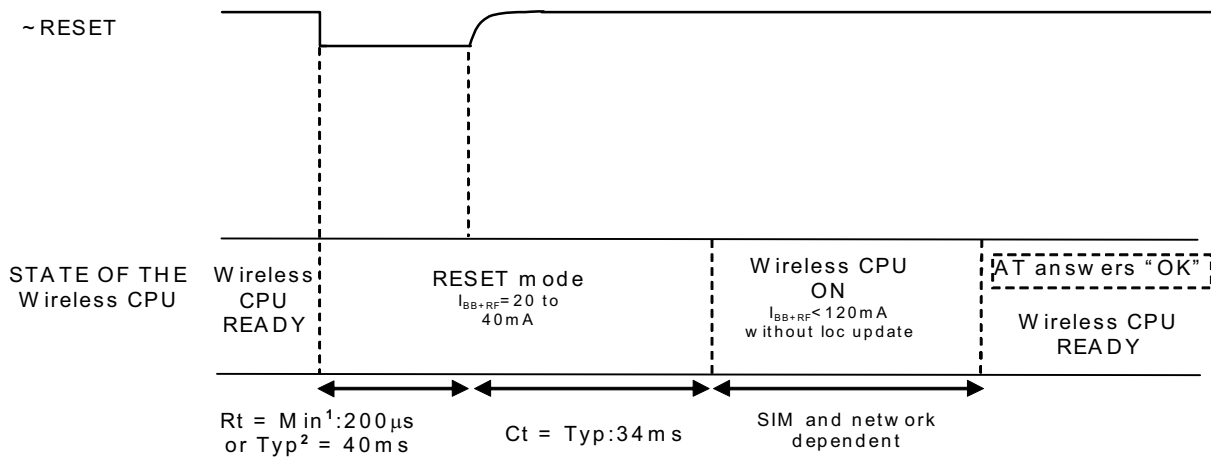
### 7.7.2 Reset Sequence

To activate the "emergency" reset sequence, the RESET signal has to be set to low for 200  $\mu$ s minimum.

As soon as the reset is done, the AT interface answers "OK" to the application. For this, the application must send **AT+J**.

If the application manages hardware flow control, the AT command may be sent during the initialization phase. Another solution is to use the **AT+WIND** command to get an unsolicited status from the FASTRACK Supreme.

For further details, refer to AT commands "AT Commands Interface Guide" [6].



**Figure 17: Reset sequence diagram**

**7.8 Audio**

Audio interface is a standard one for connecting a phone handset.

Echo cancellation and noise reduction features are also available to improve the audio quality in case of hand-free application.

**7.8.1 Microphone Inputs**

The microphone inputs are differential ones in order to reject common mode noise and TDMA noise.

They already include the convenient biasing for an electret microphone (0.5 mA and 2 Volts) and are ESD protected.

This electret microphone may be directly connected to these inputs allowing an easy connection to a handset.

The microphone impedance must be around 2 kΩ.

AC coupling is already embedded in the Wireless CPU®.

The gain of the microphone inputs is internally adjusted and may be tuned from 30 dB to 51 dB using an **AT +VGT** command (refer to AT commands documentation [6]).

**Pin description**

Signal	Sub D 15-pin Pin #	I/O	I/O type	Description
CMIC2P	4	I	Analog	Microphone positive input
CMIC2N	5	I	Analog	Microphone negative input



## Fastrack Supreme User Guide

### Functional Description

#### 7.8.2 Speaker Outputs

This connection is differential to reject common mode noise and TDMA noise.

Speaker outputs are connected to internal push-pull amplifiers and may be loaded down between 32 to 150 Ohms and up to 1 nF (see details in table *Speaker gain vs Max output voltage*, in "AT Commands Interface Guide" [6]). These outputs may be directly connected to a speaker.

The output power may be adjusted by step of 2 dB. The gain of the speaker outputs is internally adjusted and may be tuned using an **AT +VGR** command (refer to AT commands documentation [6]).

#### Pin description

Signal	Sub D 15-pin Pin #	I/O	I/O type	Description
CSPK2P	10	O	Analog	Speaker positive output
CSPK2N	15	O	Analog	Speaker negative output

### 7.9 Real Time Clock (RTC)

The FASTRACK Supreme has now implemented the Real Time Clock for saving date and time when the Plug & Play is unplugged from the DC power supply through the DC power cable.

Item		Min	Typical	Max
Charging Time start from fully discharged to fully charged			940 min	
RTC Time Period*	Guarantee		2475 min	
	Non-guarantee		5225 min	

Remark: The RTC time period is measured from the RTC battery is fully charged before being unplugged from the DC power source.

### 7.10 FLASH LED

The FASTRACK Supreme has a red LED indicator to show the status of the GSM network. For detail description of the various status, please refer to Section 5.3.

However, during operation mode of Slow Standby, there will be no network registration and so the red LED indicator will always be ON. It is possible for user to deactivate the LED indication during Slow Standby mode, in order to reduce power consumption.

The Flash LED can be deactivated by AT command *at+whcnf=1,0*

The Flash LED can be activated by AT command *at+whcnf=1,1*

However, the new setting will be taken into account only after a restart. For detail, please refer to Document[6].

## 8 Technical Characteristics

### 8.1 Mechanical Characteristics

**Table 15: Mechanical characteristics**

<b>Dimensions</b>	73 x 54.5 x 25.5 mm (excluding connectors)
<b>Overall Dimension</b>	88 x 54.5 x 25.5 mm
<b>Weight</b>	≈ 80 grams (FASTRACK Supreme only) < 120 grams (FASTRACK Supreme + bridles + power supply cable)
<b>Volume</b>	101.5 cm <sup>3</sup>
<b>Housing</b>	Aluminum profiled

The next page gives the dimensioning diagram of the FASTRACK Supreme including the clearance areas to take into account for the FASTRACK Supreme installation.

Fastrack Supreme User Guide  
Technical Characteristics

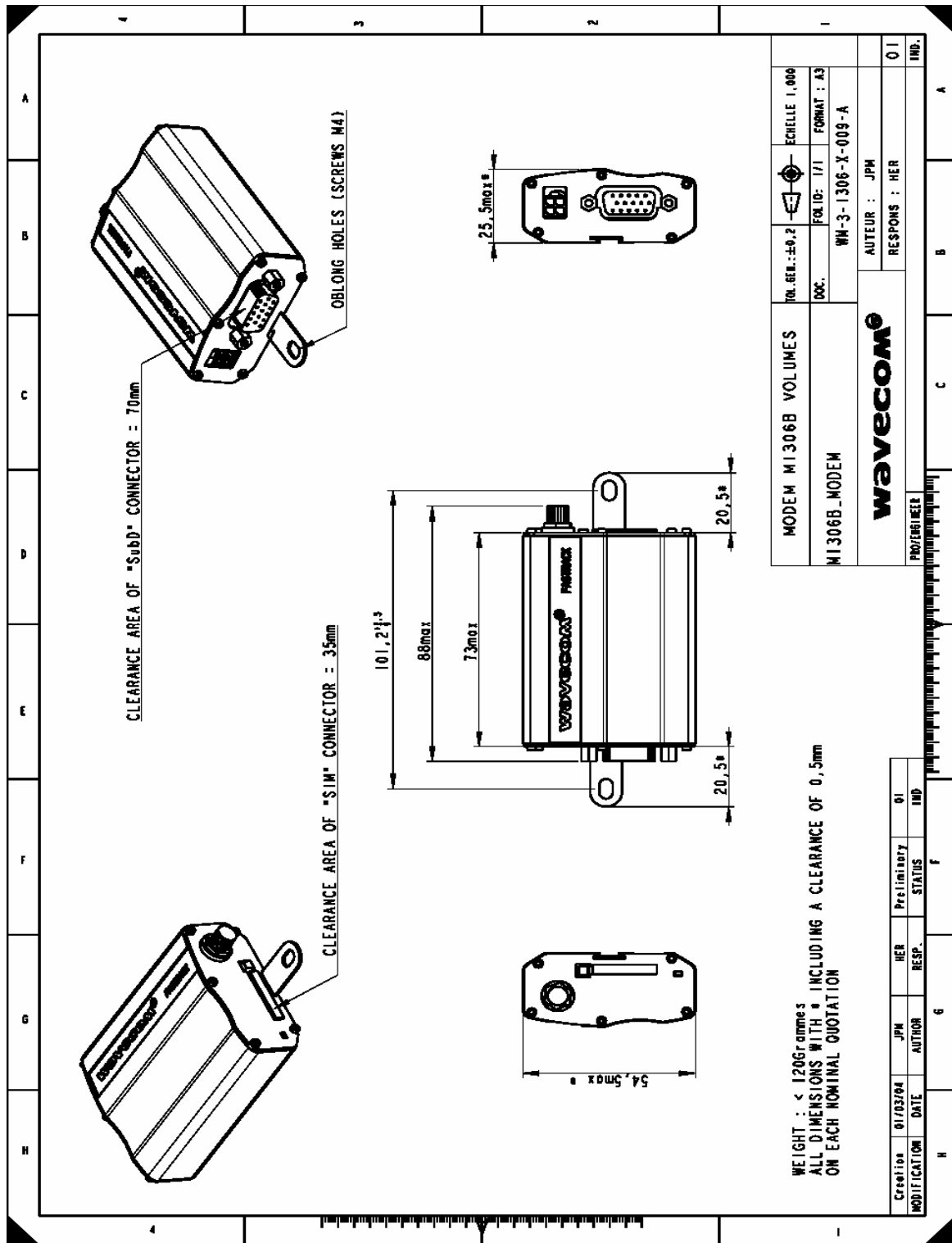


Figure 18: Dimensioning diagram

**8.2 Electrical Characteristics**

**8.2.1 Power Supply**

**Table 16: Electrical characteristics**

<b>Operating Voltage ranges</b>	5.5 V to 32 V DC.
<b>Maximum current</b>	480 mA Average at 5.5V. 2.1 A Peak at 5.5 V. (TBC)

**Note:**

The FASTRACK Supreme is permanently powered once the power supply is connected. The following table describes the consequences of over-voltage and under-voltage with the FASTRACK Supreme.

**Warning:**

**All the input voltages specification described in this Section are at the FASTRACK Supreme input. While powering the FASTRACK Supreme, take into account the input drop caused by the power cable. With the delivered cable, this input drop is around 700 mV at 5.5 V and 220 mV at 32V.**

**Table 17: Effects of power supply defect**

<b>If the voltage</b>	<b>then</b>
falls below 5.5 V,	the GSM communication is not guaranteed.
is over 32 V (Transient peaks),	the FASTRACK Supreme guarantees its own protection.
Is over 32 V (continuous overvoltage)	the protection of the FASTRACK Supreme is done by the fuse (the supply voltage is disconnected).

The fuse is a 800 mA / 250 V FAST-ACTING 5\*20mm. See Section 10 for recommended references.

The following table provides information on power consumption of the FASTRACK Supreme, assuming an operating temperature of +25 °C and using a 3 V SIM card.

## Fastrack Supreme User Guide

### Technical Characteristics

#### 8.2.2 Power Consumption

The following table provides information on power consumption of the FASTRACK Supreme, assuming an operating temperature of +25 °C and using a 3 V SIM card.

**Table 18: Power consumption (1\*)**

Power Consumption in E-GSM 900/DCS 1800 MHz - GPRS class 10				E-GSM 900	DCS 1800
<b>GSM</b>	<b>I<sub>peak</sub></b>	GSM900: During TX bursts @ PCL5 DCS1800 : During TX bursts @ PCL0	@ 5.5V	TBC	TBC
			@ 13.2V	TBC	TBC
			@ 32V	TBC	TBC
	<b>I<sub>avg</sub></b>	GSM900 : Average @ PCL5 DCS1800 : Average @ PCL0	@ 5.5V	TBC	TBC
			@ 13.2V	TBC	TBC
			@ 32V	TBC	TBC
<b>GPRS Class 2</b>	<b>I<sub>peak</sub></b>	GSM900: During 1TX bursts @ PCL5 DCS1800 : During 1TX bursts @ PCL0	@ 5.5V	TBC	TBC
			@ 13.2V	TBC	TBC
			@ 32V	TBC	TBC
	<b>I<sub>avg</sub></b>	GSM900 : Average 1TX/1RX @PCL5 DCS1800 : Average 1TX/1RX @PCL0	@ 5.5V	TBC	TBC
			@ 13.2V	TBC	TBC
			@ 32V	TBC	TBC
<b>GPRS Class 10</b>	<b>I<sub>peak</sub></b>	GSM900: During 2TX bursts @ PCL5 (Gamma 3) DCS1800 : During 2TX bursts @ PCL0 (Gamma 2)	@ 5.5V	TBC	TBC
			@ 13.2V	TBC	TBC
			@ 32V	TBC	TBC
	<b>I<sub>avg</sub></b>	GSM900 : Average 2TX/3RX @ PCL5 (Gamma 3) DCS1800 : Average 2TX/3RX @ PCL0 (Gamma 2)	@ 5.5V	TBC	TBC
			@ 13.2V	TBC	TBC
			@ 32V	TBC	TBC
<b>EGPRS Class 2</b>	<b>I<sub>peak</sub></b>	GSM900: During 1TX bursts @ PCL8 (Gamma 6) DCS1800 : During 1TX bursts @ PCL2 (Gamma 5)	@ 5.5V	TBC	TBC
			@ 13.2V	TBC	TBC
			@ 32V	TBC	TBC
	<b>I<sub>avg</sub></b>	GSM900 : Average 1TX/1RX @ PCL8 (Gamma 6) DCS1800 : Average 1TX/1RX @ PCL2 (Gamma 5)	@ 5.5V	TBC	TBC
			@ 13.2V	TBC	TBC
			@ 32V	TBC	TBC

**Fastrack Supreme User Guide**  
**Technical Characteristics**

Power Consumption in E-GSM 900/DCS 1800 MHz - GPRS class 10			E-GSM 900	DCS 1800	
<b>EGPRS Class 10</b>	<b>I<sub>peak</sub></b>	<b>GSM900: During 2TX bursts @ PCL8 (Gamma 6)</b> <b>DCS1800 : During 2TX bursts @ PCL2 (Gamma 5)</b>	@ 5.5V	TBC	TBC
			@ 13.2V	TBC	TBC
			@ 32V	TBC	TBC
	<b>I<sub>avg</sub></b>	<b>GSM900 : Average 2TX/3RX @ PCL8 (Gamma 6)</b> <b>DCS1800 : Average 2TX/3RX @ PCL2 (Gamma 5)</b>	@ 5.5V	TBC	TBC
			@ 13.2V	TBC	TBC
			@ 32V	TBC	TBC
<b>I<sub>avg</sub> in Fast Idle mode Page 9</b> (2*)	Serial port auto shut down deactivated	@ 5.5V	33	TBC	
		@ 13.2V	TBC	TBC	
		@ 32V	TBC	TBC	
	Serial port auto shut down activated	@ 5.5V	17	TBC	
		@ 13.2V	TBC	TBC	
		@ 32V	TBC	TBC	
<b>I<sub>avg</sub> in Slow Idle mode Page 9</b> (3*)	Serial port auto shut down deactivated	@ 5.5V	23	TBC	
		@ 13.2V	TBC	TBC	
		@ 32V	TBC	TBC	
	Serial port auto shut down activated	@ 5.5V	5	TBC	
		@ 13.2V	TBC	TBC	
		@ 32V	TBC	TBC	
<b>I<sub>avg</sub> in Fast Standby mode</b> (4*)	Serial port auto shut down deactivated	@ 5.5V	52	TBC	
		@ 13.2V	TBC	TBC	
		@ 32V	TBC	TBC	
	Serial port auto shut down activated	@ 5.5V	35	TBC	
		@ 13.2V	TBC	TBC	
		@ 32V	TBC	TBC	

## Fastrack Supreme User Guide

### Technical Characteristics

Power Consumption in E-GSM 900/DCS 1800 MHz - GPRS class 10			E-GSM 900	DCS 1800
<b>I<sub>avg</sub> in Slow Standby mode (with FLASH LED activated) (4*)</b>	Serial port auto shut down deactivated	@ 5.5V	24	TBC
		@ 13.2V	TBC	TBC
		@ 32V	TBC	TBC
	Serial port auto shut down activated	@ 5.5V	8	TBC
		@ 13.2V	TBC	TBC
		@ 32V	TBC	TBC
<b>I<sub>avg</sub> in Slow Standby mode (with FLASH LED deactivated) (4*)</b>	Serial port auto shut down deactivated	@ 5.5V	TBC	TBC
		@ 13.2V	TBC	TBC
		@ 32V	TBC	TBC
	Serial port auto shut down activated	@ 5.5V	4	TBC
		@ 13.2V	TBC	TBC
		@ 32V	TBC	TBC

(1\*): The power consumption might vary by 5 % over the whole operating temperature range (-20 °C to +55 °C).

(2\*): In this Mode, the RF function is active and the FASTRACK Supreme synchronized with the network, but there is no communication.

(3\*): In this Mode, the RF function is disabled, but regularly activated to keep the synchronization with the network. This Mode works only when the DTE send AT command to shut down the serial link by software approach (DTE turns DTR in inactive state).

(4\*): In this Mode, the RF function is disabled, and there is no synchronization with the network.



**8.2.3 Audio Interface**

The audio interface is available through the Sub HD 15-pin connector.

**Table 19: Audio parameters characteristics**

Audio parameters	Min	Typ	Max	Unit	Comments
Microphone input current @2 V/2 kΩ		0.5		mA	
Absolute microphone input voltage			100	mVpp	AC voltage
Speaker output current 150 Ω //1 nF		16		mA	
Absolute speaker impedance	32	50		Ω	
Impedance of the speaker amplifier output in differential mode			1	Ω	+/-10 %

**Table 20: Microphone inputs internal audio filter characteristics**

Frequency	Gain
0-150 Hz	< -22 dB
150-180 Hz	< -11 dB
180-200 Hz	< -3 dB
200-3700 Hz	0 dB
>4000 Hz	< -60 dB

**Table 21: Recommended characteristics for the microphone:**

Feature	Value
Type	Electret 2 V / 0.5 mA
Impedance	Z = 2 kΩ
Sensitivity	-40 dB to -50 dB
SNR	> 50 dB
Frequency response	compatible with the GSM specifications

**Table 22: Recommended characteristics for the speaker:**

Feature	Value
Type	10 mW, electro-magnetic
Impedance	Z = 32 to 50 Ω
Sensitivity	110 dB SPL min. (0 dB = 20 μPa)
Frequency response	compatible with the GSM specifications

**8.2.4 General Purpose Input/Output**

Both GPIO21 and GPIO25 may be interfaced with a component that comply with 3 Volts CMOS levels.

**Table 23: Operating conditions**

Parameter	I/O type	Min	Typ	Max	Condition
V <sub>IL</sub>	CMOS			0.84 V	
V <sub>IH</sub>	CMOS	1.96 V			
V <sub>OL</sub>	CMOS			0.4 V	I <sub>OL</sub> = -4 mA
V <sub>OH</sub>	CMOS	2.4 V			I <sub>OH</sub> = 4 mA
I <sub>OH</sub>				4mA	
I <sub>OL</sub>				-4mA	

Clamping diodes are present on I/O pads.

**8.2.5 SIM Interface**

**Table 24: SIM card characteristics**

<b>SIM card</b>	1.8V / 3 V
-----------------	------------

**8.2.6 RESET Signal**

**Table 25: Electrical characteristics**

Parameter	Min	Typ	Max	Unit
Input Impedance ( R )*		330K		kΩ
Input Impedance ( C )		10n		nF

\*Internal pull-up

**Fastrack Supreme User Guide**  
**Technical Characteristics**

**Table 26: Operating conditions**

Parameter	Minimum	Typ	Maximum	Unit
~RESET time (Rt) <sup>1</sup>	200			µs
~RESET time (Rt) <sup>2</sup> at power up only	20	40	100	ms
Cancellation time (Ct)		34		ms
V <sub>H</sub>	0.57			V
V <sub>IL</sub>	0		0.57	V
V <sub>IH</sub>	1.33			V

\* V<sub>H</sub>: Hysteresis Voltage

1 This reset time is the minimum to be carried out on the ~RESET signal when the power supply is already stabilized.

2 This reset time is internally carried out by the Wireless CPU power supply supervisor only when the Wireless CPU power supplies are powered ON.

**8.2.7 RF Characteristics**

**8.2.7.1 Frequency Ranges**

**Table 27: Frequency ranges**

Characteristic	GSM 850	E-GSM 900	DCS 1800	PCS 1900
Frequency TX	824 to 849 MHz	880 to 915 MHz	1710 to 1785 MHz	1850 to 1910 MHz
Frequency RX	869 to 894 MHz	925 to 960 MHz	1805 to 1880 MHz	1930 to 1990 MHz

**Fastrack Supreme User Guide**  
**Technical Characteristics**

**8.2.7.2 RF Performances**

RF performances are compliant with the ETSI recommendation GSM 05.05.

The RF performances for receiver and transmitter are given in the table below.

**Table 28: Receiver and transmitter RF performances**

<b>Receiver</b>	
E-GSM900/GSM850 Reference Sensitivity	-104 dBm Static & TUHigh
DCS1800/PCS1900 Reference Sensitivity	-102 dBm Static & TUHigh
Selectivity @ 200 kHz	> +9 dBc
Selectivity @ 400 kHz	> +41 dBc
Linear dynamic range	63 dB
Co-channel rejection	>= 9 dBc
<b>Transmitter</b>	
Maximum output power (E-GSM 900/GSM850) at ambient temperature	33 dBm +/- 2 dB
Maximum output power (DCS1800/PCS1900) at ambient temperature	30 dBm +/- 2 dB
Minimum output power (E-GSM 900/GSM850) at ambient temperature	5 dBm +/- 5 dB
Minimum output power (DCS1800/PCS1900) at ambient temperature	0 dBm +/- 5 dB

**8.2.7.3 External Antenna**

The external antenna is connected to the FASTRACK Supreme via the SMA connector.  
The external antenna must fulfill the characteristics listed in the table below.

**Table 29: External antenna characteristics**

Antenna frequency range	Quad-band GSM 850/GSM900/DCS1800/PCS1900 MHz
Impedance	50 Ohms nominal
DC impedance	0 Ohm
Gain (antenna + cable)	0 dBi
VSWR (antenna + cable)	2

**Note:** Refer to Section 10 for recommended antenna.

**8.3 Environmental Characteristics**

The FASTRACK Supreme Plug & Play is compliant with the following operating class. To ensure the proper operation of the FASTRACK Supreme, the temperature of the environment must be within a specific range as described in the table below.

**Table 30: Ranges of temperature**

Conditions	Temperature range
Operating / Class A	-20 °C to +55°C
Operating / Class B	-30 °C to +85°C
Storage	-40 °C to +85°C

Function Status Classification:

**Class A:**

The FASTRACK Supreme remains fully functional, meeting GSM performance criteria in accordance with ETSI requirements, across the specified temperature range.

**Class B:**

The FASTRACK Supreme remains fully functional, across the specified temperature range. Some GSM parameters may occasionally deviate from the ETSI/PTCRB specified requirements and this deviation does not affect the ability of the FASTRACK Supreme to connect to the cellular network and function fully, as it does within the Class A range.

## Fastrack Supreme User Guide

### Technical Characteristics

The detailed climatic and mechanics standard environmental constraints applicable to the FASTRACK Supreme are listed in the table below:

**Table 31: Environmental standard constraints**

Environmental Tests (IEC TR 60721-4)		Environmental Classes (IEC 60721-3)			
Tests	Standards	Storage (IEC 60721-3-1) Class IE13	Transportation (IEC 60721-3-2) Class IE23	Operation	
				Stationary (IEC 60721-3-3) Class IE35	Non-Stationary (IEC 60721-3-7) Class IE73
Cold	IEC 60068-2-1 : Ab/Ad	-25°C, 16 h	-40°C, 16 h	-5°C, 16 h	-5°C, 16 h
Dry heat	IEC 60068-2-2 : Bb/Bd	+70°C, 16 h	+70°C, 16 h	+55°C, 16 h	+55°C, 16 h
Change of temperature	IEC 60068-2-14 : Na/Nb	-33°C to ambient 2 cycles, t1=3 h 1 °C.min <sup>-1</sup>	-40°C to ambient 5 cycles, t1=3 h t2<3 min	-5°C to ambient 2 cycles, t1=3 h 0,5 °C.min <sup>-1</sup>	-5°C to ambient 5 cycles, t1=3 h t2<3 min
Damp heat	IEC 60068-2-56 : Cb	+30°C, 93% RH 96 h	+40°C, 93% RH 96 h minimum	+30°C, 93% RH, 96 h	+30°C, 93% RH, 96 h
Damp heat, cyclic	60068-2-30 : Db Variant 1 or 2	+40°C, 90% to 100% RH One cycle Variant 2	+55°C, 90% to 100% RH Two cycles Variant 2	+30°C, 90% to 100% RH Two cycles Variant 2	+40°C, 90% to 100% RH Two cycles Variant 1
Vibration (sinusoidal)	IEC 60068-2-6 : Fc	1-200 Hz 2 m.s <sup>-2</sup> 0,75 mm 3 axes 10 sweep cycles	1-500 Hz 10 m.s <sup>-2</sup> 3,5 mm 3 axes 10 sweep cycles	1-150 Hz 2 m.s <sup>-2</sup> 0,75 mm 3 axes 5 sweep cycles	1-500 Hz 10 m.s <sup>-2</sup> 3,5 mm 3 axes 10 sweep cycles
Vibration (random)	IEC 60068-2-64 : Fh	-	10-100 Hz / 1,0 m <sup>2</sup> .s <sup>-3</sup> 100-200 Hz / -3 dB.octave <sup>-1</sup> 200-2000 Hz / 0,5 m <sup>2</sup> .s <sup>-3</sup> 3 axes 30 min	-	-
Shock (half-sine)	IEC 60068-2-27 : Ea	-	-	50 m.s <sup>-2</sup> 6 ms 3 shocks 6 directions	150 m.s <sup>-2</sup> 11 ms 3 shocks 6 directions
Bump	IEC 60068-2-29 : Eb	-	250 m.s <sup>-2</sup> 6 ms 50 bumps vertical direction	-	-
Free fall	ISO 4180-2	-	Two falls in each specified attitude	-	2 falls in each specified attitude 0,025 m (<1kg)
Drop and topple	IEC 60068-2-31 : Ec	-	One drop on relevant corner One topple about each bottom edge	-	One drop on each relevant corner One topple on each of 4 bottom edges

## Fastrack Supreme User Guide

### Technical Characteristics

#### Notes:

#### **Short description of Class IE13 (For more information see standard IEC 60721-3-1)**

"Locations without controlled temperature and humidity, where heating may be used to raise low temperatures, locations in buildings providing minimal protection against daily variations of external climate, prone to receiving rainfall from carrying wind".

#### **Short description of Class IE23 (For more information, see standard IEC 60721-3-2)**

"Transportation in unventilated compartments and in conditions without protection against bad weather, in all sorts of trucks and trailers in areas of well developed road network, in trains equipped with buffers specially designed to reduce shocks and by boat".

#### **Short description of Class IE35 (For more information see standard IEC 60721-3-3)**

"Locations with no control on heat or humidity where heating may be used to raise low temperatures, to places inside a building to avoid extremely high temperatures, to places such as hallways, building staircases, cellars, certain workshops, equipment stations without surveillance".

#### **Short description of Class IE73 (For more information see standard IEC 60721-3-7)**

"Transfer to places where neither temperature nor humidity are controlled but where heating may be used to raise low temperatures, to places exposed to water droplets, products can be subjected to ice formation, these conditions are found in hallways and building staircases, garages, certain workshops, factory building and places for industrial processes and hardware stations without surveillance".

**Warning: The specification in the above table applies to the FASTRACK Supreme product only. Customers are advised to verify that the environmental specification of the SIM Card used is compliant with the FASTRACK Supreme environmental specifications. Any application must be qualified by the customer with the SIM Card in storage, transportation and operation.**

The use of standard SIM cards may drastically reduce the environmental conditions in which the Product can be used. These cards are particularly sensible to humidity and temperature changes. These conditions may produce oxidation of the SIM card metallic layers and cause, in the long term, electrical discontinuities. This is particularly true in left alone applications, where no frequent extraction/insertion of the SIM card is performed.

In case of mobility when the application is moved through different environments with temperature variations, some condensation may appear. These events have a negative impact on the SIM and may favor oxidation.

If the use of standard SIM card, with exposition to the environmental conditions described above, can not be avoided, special care must be taken in the integration of the final application in order to minimize the impact of these conditions. The solutions that may be proposed are:

- Lubrication of the SIM card to protect the SIM Contact from oxidation.
- Putting the FASTRACK Supreme Plug & Play in a waterproof enclosure with desiccant bags.

Lubrication of the SIM card had been tested by Wavecom (using Tutela Fluid 43EM from MOLYDUVAL) and gives very good results.

If waterproof enclosure with a desiccant solution is used, check with your desiccant retailer the quantity that must be used according to the enclosure dimensions. Ensure humidity has been removed before sealing the enclosure.

Any solution selected must be qualified by the customer on the final application.

To minimize oxidation problem on the SIM card, its manipulation must be done with the greatest precautions. In particular, the metallic contacts of the card must never be touched with bare fingers or any matter which

## Fastrack Supreme User Guide

### Technical Characteristics

may contain polluted materials liable to produce oxidation (such as, e.g. substances including chlorine). In case a cleaning of the Card is necessary, a dry cloth must be used (never use any chemical substance).

#### 8.4 Conformity

The complete product complies with the essential requirements of article 3 of R&TTE 1999/5/EC Directive and satisfied the following standards:

Domain	Applicable standard
Safety standard	EN 60950 (ed.1999)
Efficient use of the radio frequency spectrum	EN 301 419-(v 4.1.1) EN 301 511 (V 7.0.1)
EMC	EN 301 489-1 (edition 2002) EN 301 489-7 (edition 2002)
Global Certification Forum – Certification Criteria	GCF-CC V3.13.0
PTCRB	
FCC	
IC	

#### 8.5 Protections

##### 8.5.1 Power Supply

The FASTRACK Supreme is protected by a 800 mA / 250 V fuse directly bonded on the power supply cable.

The model of fuse used is: **FSD 800 mA / 250 V FAST-ACTING**.



### **8.5.2 Overvoltage**

The FASTRACK Supreme is protected against voltage over +32 V.

When input voltages exceed +32 V, the supply voltage is disconnected in order to protect the internal electronic components from an overvoltage.

### **8.5.3 Electrostatic Discharge**

The FASTRACK Supreme withstands ESD according to IEC 1000-4-2 requirements for all accessible parts of the FASTRACK Supreme except the RF part:

- 8 kV of air discharge,
- 4 kV of contact discharge.

### **8.5.4 Miscellaneous**

Filtering guarantees:

- EMI/RFI protection in input and output,
- Signal smoothing.

## 9 Safety recommendations

### 9.1 General Safety

It is important to follow any special regulations regarding the use of radio equipment due in particular to the possibility of radio frequency (RF) interference. Please follow the safety advice given below carefully.

Switch OFF your Wireless CPU®:

- When in an aircraft. The use of cellular telephones in an aircraft may endanger the operation of the aircraft, disrupt the cellular network and is illegal. Failure to observe this instruction may lead to suspension or denial of cellular telephone services to the offender, or legal action or both,
- When at a refueling point,
- When in any area with a potentially explosive atmosphere which could cause an explosion or fire,
- In hospitals and any other place where medical equipment may be in use.

Respect restrictions on the use of radio equipment in:

- Fuel depots,
- Chemical plants,
- Places where blasting operations are in progress,
- Any other area where signalization reminds that the use of cellular telephone is forbidden or dangerous.
- Any other area where you would normally be advised to turn off your vehicle engine.

There may be a hazard associated with the operation of your FASTRACK Supreme Plug & Play close to inadequately protected personal medical devices such as hearing aids and pacemakers. Consult the manufacturers of the medical device to determine if it is adequately protected.

Operation of your FASTRACK Supreme Plug & Play close to other electronic equipment may also cause interference if the equipment is inadequately protected. Observe any warning signs and manufacturers' recommendations.

The FASTRACK Supreme Plug & Play is designed for and intended to be used in "**fixed**" and "**mobile**" applications:

- "**Fixed**" means that the device is physically secured at one location and is not able to be easily moved to another location.
- "**Mobile**" means that the device is designed to be used in other than fixed locations and generally in such a way that a separation distance of at least 20 cm (8 inches) is normally maintained between the transmitter's antenna and the body of the user or nearby persons.

The FASTRACK Supreme Plug & Play is not designed for and intended to be used in portable applications (within 20 cm or 8 inches of the body of the user) and such uses are strictly prohibited.

### 9.2 Vehicle Safety

Do not use your FASTRACK Supreme Plug & Play while driving, unless equipped with a correctly installed vehicle kit allowing 'Hands-Free' Operation.

Respect national regulations on the use of cellular telephones in vehicles. Road safety always comes first.

## Fastrack Supreme User Guide

### Safety recommendations

If incorrectly installed in a vehicle, the operation of FASTRACK Supreme Plug & Play telephone could interfere with the correct functioning of vehicle electronics. To avoid such problems, make sure that the installation has been performed by a qualified personnel. Verification of the protection of vehicle electronics should form part of the installation.

The use of an alert device to operate a vehicle's lights or horn on public roads is not permitted.

### 9.3 Care and Maintenance

Your FASTRACK Supreme Plug & Play is the product of advanced engineering, design and craftsmanship and should be treated with care. The suggestion below will help you to enjoy this product for many years.

Do not expose the FASTRACK Supreme Plug & Play to any extreme environment where the temperature or humidity is high.

Do not use or store the FASTRACK Supreme Plug & Play in dusty or dirty areas. Its moving parts (SIM holder for example) can be damaged.

Do not attempt to disassemble the Wireless CPU<sup>®</sup>. There are no user serviceable parts inside.

Do not expose the FASTRACK Supreme Plug & Play to water, rain or spilt beverages. It is not waterproof.

Do not abuse your FASTRACK Supreme Plug & Play by dropping, knocking, or violently shaking it. Rough handling can damage it.

Do not place the FASTRACK Supreme Plug & Play alongside computer discs, credit or travel cards or other magnetic media. The information contained on discs or cards may be affected by the Wireless CPU<sup>®</sup>.

The use of third party equipment or accessories, not made or authorized by Wavecom may invalidate the warranty of the Wireless CPU<sup>®</sup>.

Do contact an authorized Service Center in the unlikely event of a fault in the Wireless CPU<sup>®</sup>.

### 9.4 Your Responsibility

This FASTRACK Supreme Plug & Play is under your responsibility. Please treat it with care respecting all local regulations. It is not a toy. Therefore, keep it in a safe place at all times and out of the reach of children.

Try to remember your Unlock and PIN codes. Become familiar with and use the security features to block unauthorized use and theft.

## 10 Recommended Accessories

Accessories recommended by Wavecom for the FASTRACK Supreme are given in the table below.

**Table 32: List of recommended accessories**

Designation	Part number	Supplier
Quad-band antenna	1140.26	ALLGON
	MA112VX00	MAT Equipement
	MCA1890 MH/PB/SMA m	HIRSCHMANN
SMA/FME Antenna adaptor		PROCOM
Power adaptor (Europe)	EGSTDW P2 EF9W3 24W Out:12 V - 2A In: 100 to 240 V – 50/60 Hz – 550 mA Mounted with micro-fit connector	EGSTDW (for power adaptor) MOLEX (for micro-fit connector)*
Fuse	F800L250V	Shanghai Fullness
IESM GPS + USB	M13SUE01	WAVECOM
IESM IO + USB	M13SUE02	WAVECOM
IESM IO + USB + GPS	M13SUE03	WAVECOM

\* Information not available for this preliminary version.

## 11 Online Support

Wavecom provides an extensive range on online support which includes the following areas of Wavecom's wireless expertise:

- the latest version of this document
- new versions of our Operating System user guides
- comprehensive support for Open AT®
- regulatory certifications
- carrier certifications
- application notes

To gain access to this support, simply visit our web site at [www.wavecom.com](http://www.wavecom.com) or click on the desire link in Page. Privileged access via user login is provided to Wavecom authorized distributors.