

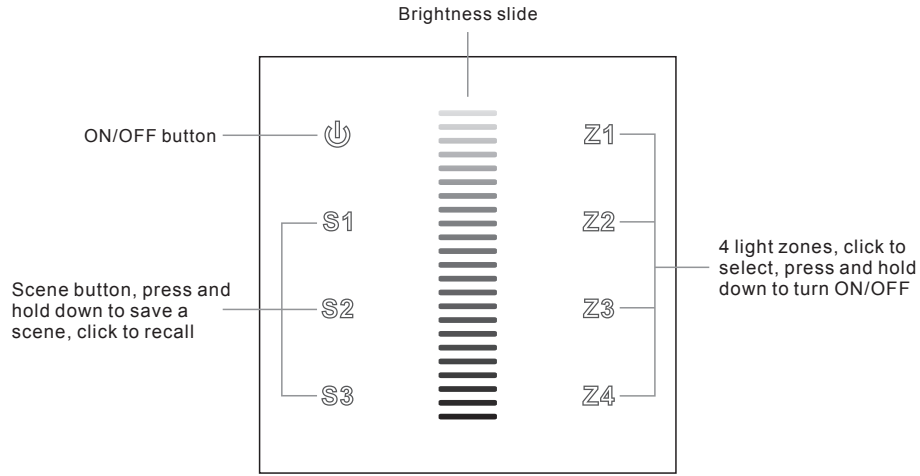
DALI Single Color Touch Controller

09.230TD.04066

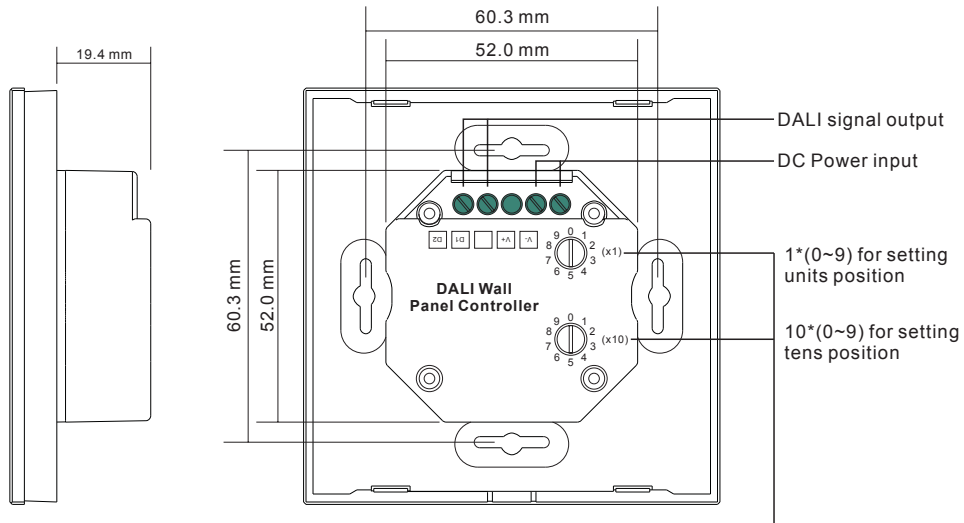


Important: Read All Instructions Prior to Installation

Function introduction



Front side



Rotary switches for setting start DALI address number (0-63), the number equals to tens position plus units position

Back side

Product Data

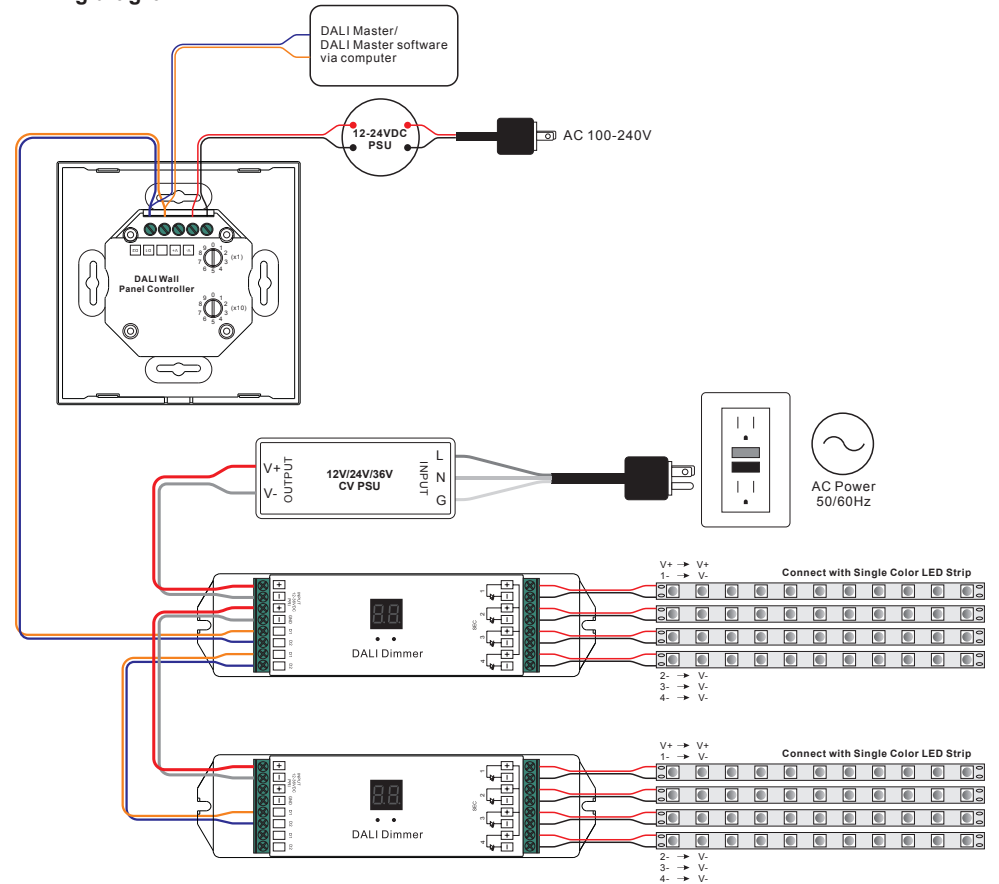
Output Signal	DALI signal
Power Supply	12-24VDC
Power consumption	200 mA
Operating temperature	0-40°C
Relative humidity	8% to 80%
Dimensions	86x86x29.1mm

- Touch sensitive.
- Glass interface(white & black).
- Comply to DALI standard protocol IEC 62386-102, IEC 62386-207 and in compliance with DALI products from other international incorporation
- 4 light zones are available for switch and dimming control, each zone can control 1 DALI address.
- Enable to set start DALI address number (0-63) for the 4 zones by rotary switches on the back.
- Enable to save 3 scenes

Safety & Warnings

- DO NOT install with power applied to device.
- DO NOT expose the device to moisture.

Wiring diagram



Operation

Set start DALI address number for the zones by rotary switches on the back:

Set the number as X (0-63):

Zone number Z1 will control DALI address X,

Zone number Z2 will control DALI address X+1,

Zone number Z3 will control DALI address X+2,

Zone number Z4 will control DALI address X+3,

Note: if X is set as 63, zone 1 will control DALI address 63, zone 2 will control address 00, zone 3 will control address 01, zone 4 will control address 02.

Installation

