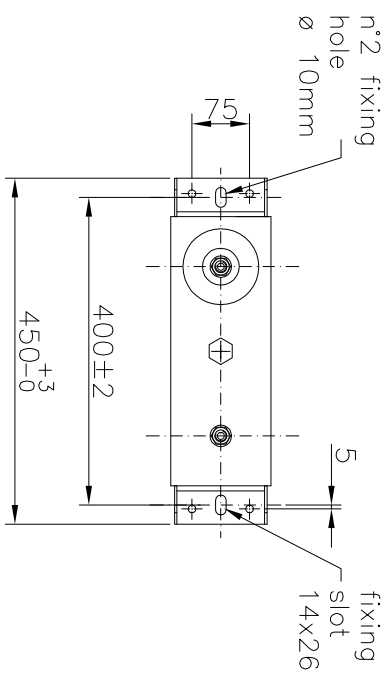


(x): Under load condition, Capacitor case could expand up to approx. 15%

TECHNICAL DATA

CAPACITOR

- Rated Capacitance= 0,26uF±5%
- Rated Voltage = 13,8 kV
- Insulation level = 38 kVrms/95 kVpeak
- Insulation voltage = 17,5 kV
- Frequency = 50/60 Hz
- Testing terminal-terminal for 1 min= 38 kVrms or 76 kV dc
- Temperature Category = -15÷+55 °C
- Capacitor Bushing = ceramic
- Creepage distance of Bushing = 390 mm
- Case = No-magnetic Stainless Steel
- Capacitor Color = RAL.7030
- Dielectric = All Polypropylene Film
- Discharge resistor= NO
- Weight = approx. 16,5 Kg
- Installation = Indoor
- Standards = VDE 0560-3 (When applicable)



Drewed: PGC		Approved: Viscardi G.		Construction's code: A 1 7 I F N 1 B G 2 G D S N 1		Sheet n° 1		Total Sheets: 1	
Prepared: GDO		Toll. dim.: /		Single Phase Capacitor		Scale: /		Date: 19/05/2017	
0		19/05/2017		13,8 kV - C=0,26 uF -50/60Hz		Drawing :		SG1.13,8-0.26/00	
REV		DATE		DESCRIPTION OF REVISION		NOTE			