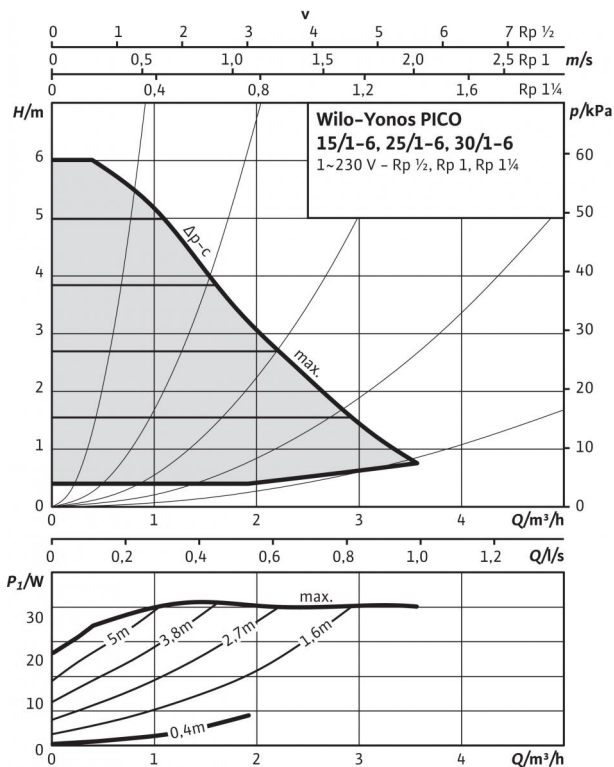
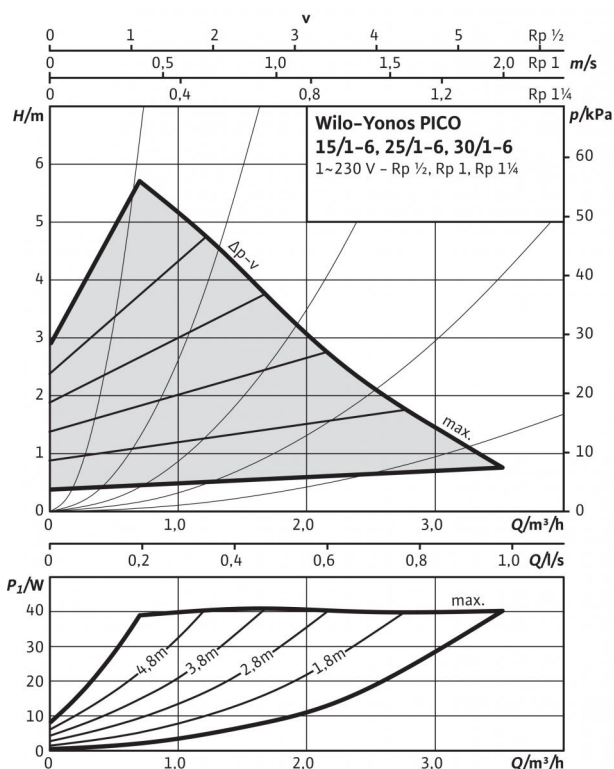


Data sheet: Yonos PICO 15/1-6

Pump curves Δp -c (constant)



Pump curves Δp -v (variable)



Approved fluids (other fluids on request)

- Heating water (in accordance with VDI 2035)
- Water-glycol mixtures (max. 1:1; above 20% admixture, the pumping data must be checked)

Permitted field of application

- Temperature range at max. ambient temperature +25 °C
- Temperature range at max. ambient temperature +40 °C
- Maximum permissible operating pressure P_{max}

Pipe connections

- Threaded pipe union
- Nominal flange diameter
- Thread
- Overall length L_0

Motor/electronics

- Energy efficiency index (EEI)
- Electromagnetic compatibility
- Emitted interference
- Interference resistance
- Speed control
- Protection class
- Insulation class
- Mains connection
- Speed n
- Rated power P_2
- Power consumption P_1
- Current consumption I
- Motor protection
- Screwed cable connection connector

Materials

- Pump housing
- Impeller
- Pump shaft
- Bearing

Minimum suction head at suction port for avoiding cavitation at water pumping

- Minimum suction head at 50 / 95 / 110 °C

Information for order placements

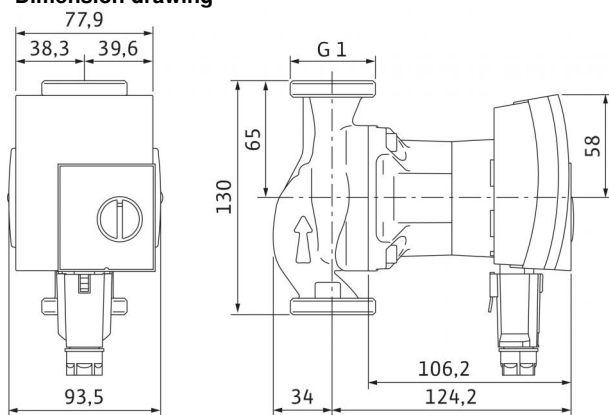
- Make
- Type
- Art no.
- Weight approx. m

• = appropriate, - = not appropriate

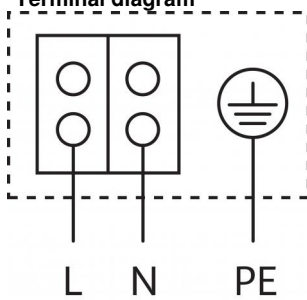
The benchmark for the most efficient circulators is $EEI \leq 0.20$.

Data sheet: Yonos PICO 15/1-6

Dimension drawing



Terminal diagram



Blocking current-proof motor
Single-phase motor (EM) 2-pole - 1~230 V, 50 Hz