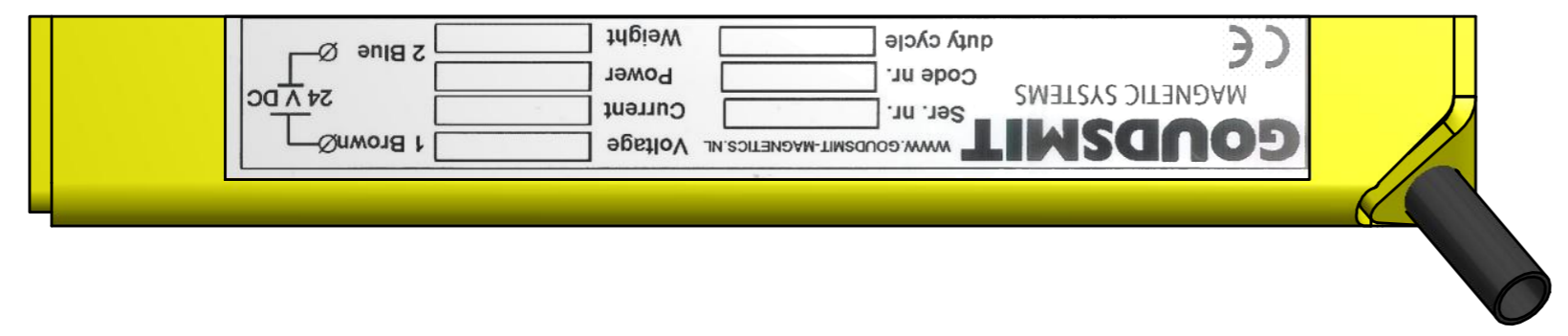
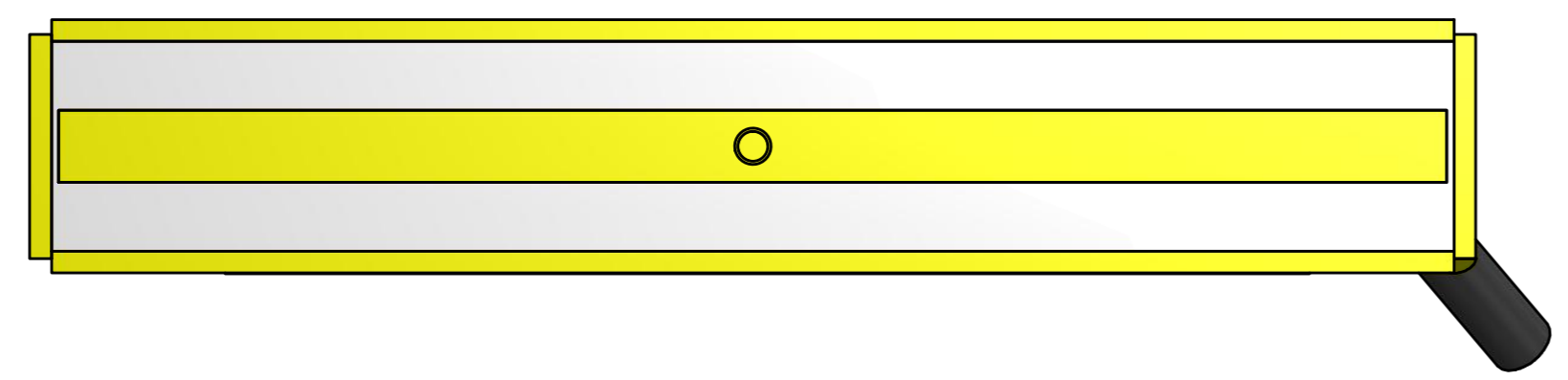
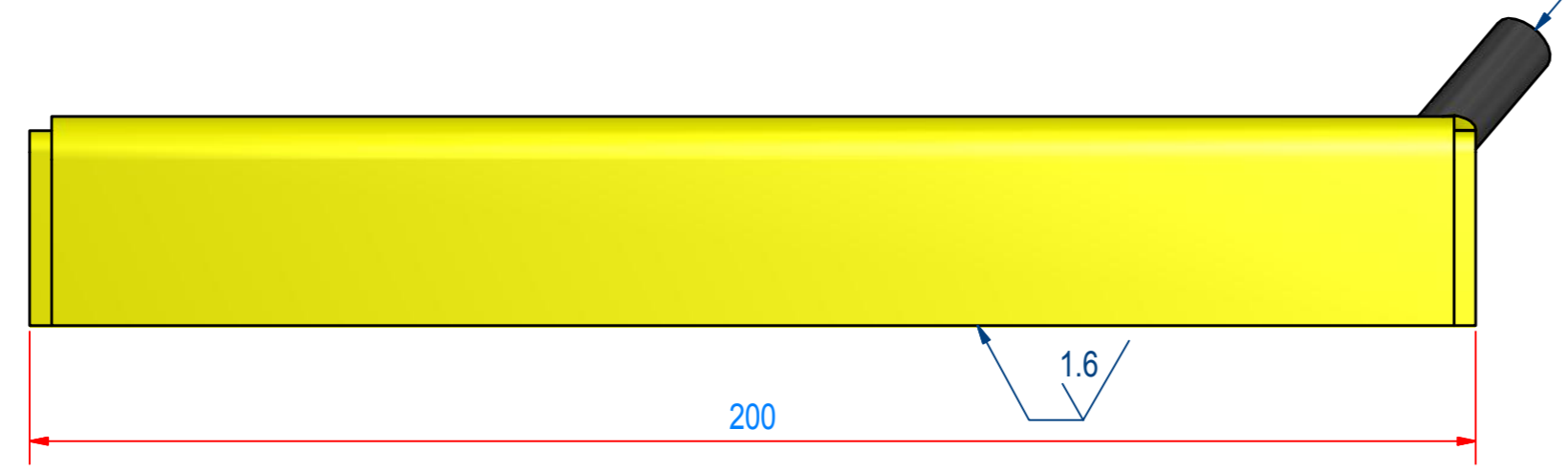
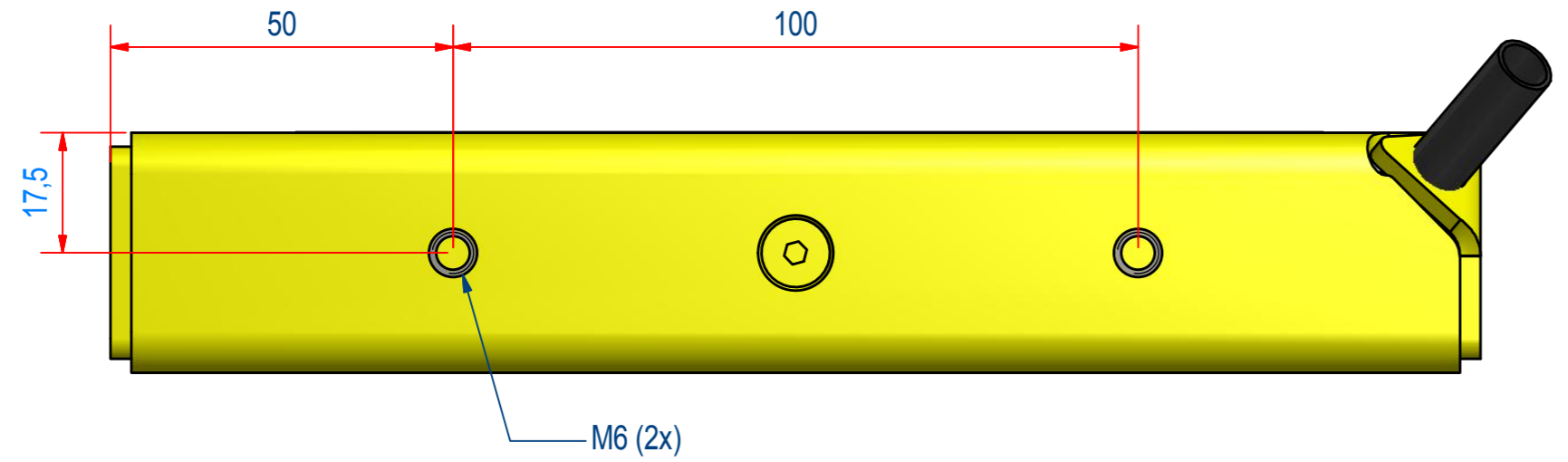
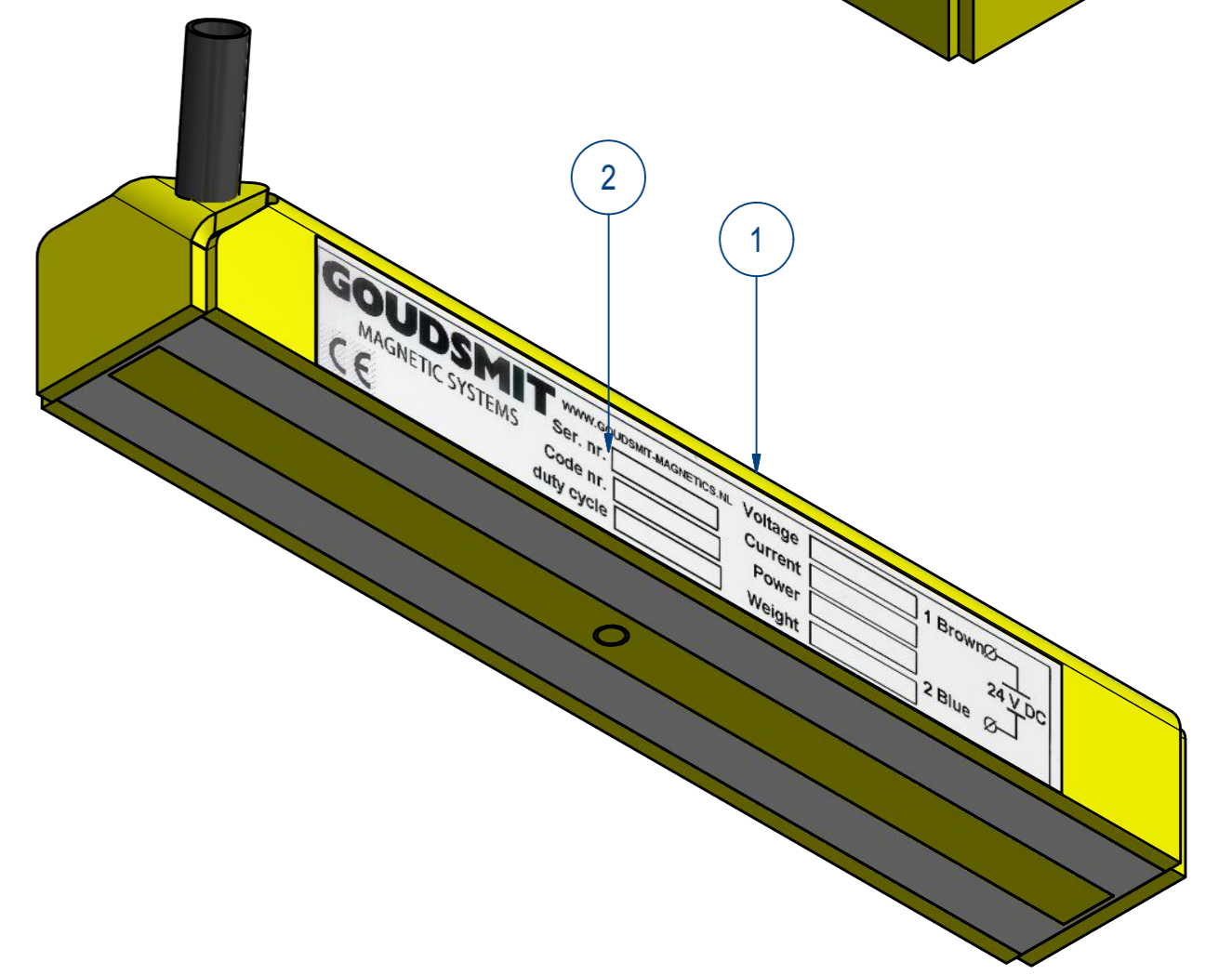
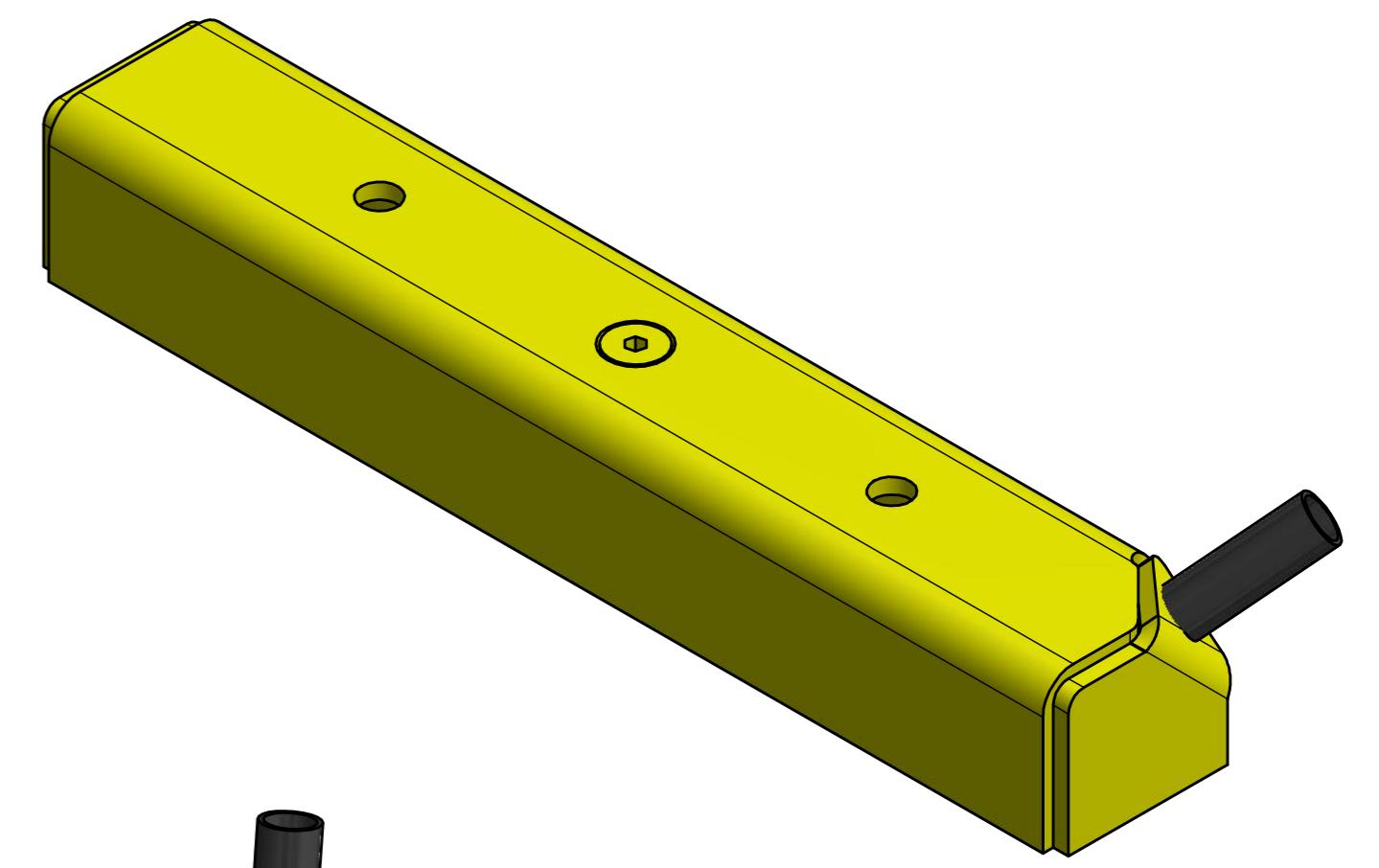
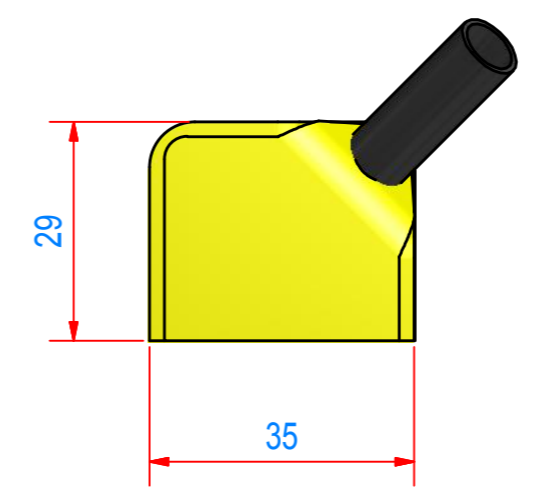


REV	DATE	BY	DESCRIPTION
-	27-2-2014	BS	CONVERTED TO INVENTOR



CABLE VMVL 2x1 L=5000 mm
NOT SHOWN



ITEM	QTY	PART NUMBER	DESCRIPTION	Dimensions
2	1	M59957	STICKER ELECTRO ROD	
1	1	M69837	ASSEMBLY ELECTRO ROD D L=200	

RAW MAT.	QTY	MAT. NUMBER	MAT. DESCRIPTION	LENGTH (mm)	WIDTH (mm)
1	1				

Sheet: A2	Extra info: Duty cycle 50% max. 24V, 15W	General tolerance: ISO 2768 - mK
Drawn: BS	Weight (kg): 1,4	Drawn according: ISO268; ISO1101; ISO2553
Date: 27-2-2014	Goudsmit MAGNETIC SYSTEMS © All rights reserved. Reproduction is not permitted without written permission of Goudsmit Magnetic Systems BV	Status: Standard
Spare part: False		Customer reference number:
Quick search: EHKAD0200	File number: EHKAD02000	Rev: -
Description: HEB-035x30-0200-GC	Part number: EHKAD02000	Rev: -