

6 Parts list

Guide to ordering spare parts	169
Set of plates.....	171
Frame, compl.....	173
Brake bolt, complete.....	174
Solenoid valve block, complete	175
Solenoid valve block, compl.	176
Drive, complete.....	179
Clutch shoes.....	179
Set of drive parts – 50 Hz.....	180
Set of drive parts – 60 Hz.....	180
Spindle, complete - 50 Hz	183
Spindle, complete - 60 Hz	183
Centrifugal clutch, complete	185
Bowl, complete	187
Disk stack, complete	188
Centripetal pump, compl.	189
Hood, complete	191
Retaining bracket, compl.....	192
Water feed line, compl.....	193
Valve, complete.....	194
Corrugated hose, compl.	195
Set of tools and accessories	197
Lubricants (hazardous materials!).....	197
Set of spare parts "bowl/hood" (operation: 1 year or 8000 hours)	199
Set of spare parts "drive" – 50 Hz (operation: 1 year or 8000 hours)	201
Set of spare parts "drive" – 60 Hz (operation: 1 year or 8000 hours)	201
Set of spare parts "drive" – 50 Hz (operation: 2 years or 16000 operating hours).....	203
Set of spare parts "drive" – 60 Hz (operation: 2 years or 16,000 operating hours).....	203

Note
Notes
Notizen
Anotaciones
Для записей
Muistiinpanot
Σημειώσεις
Notater
Notes
Note

Guide to ordering spare parts

A rapid and correct supply of spare parts can only be guaranteed if your order includes the following details:

- Separator model see nameplate
 e.g. OSD 6-91-067
- Serial-No. see nameplate
 e.g. 9000-223
- Designation see parts list
 e.g. frame
- Part-No. see parts list
 e.g. 2050-1100-020
 The part number is also marked on almost all the individual parts.

Only when ordering spare parts for bowls:

- Bowl S/N see bowl lock ring, bowl bottom or bowl shell
 if different from the machine serial number.

Only required when ordering spare parts for pump and pump connection parts:

- Model and number of pump see pump nameplate

The details **must** be complete when the part number ends with a letter (e.g. 2050-6600-L), since this indicates that the parts are available in different designs.



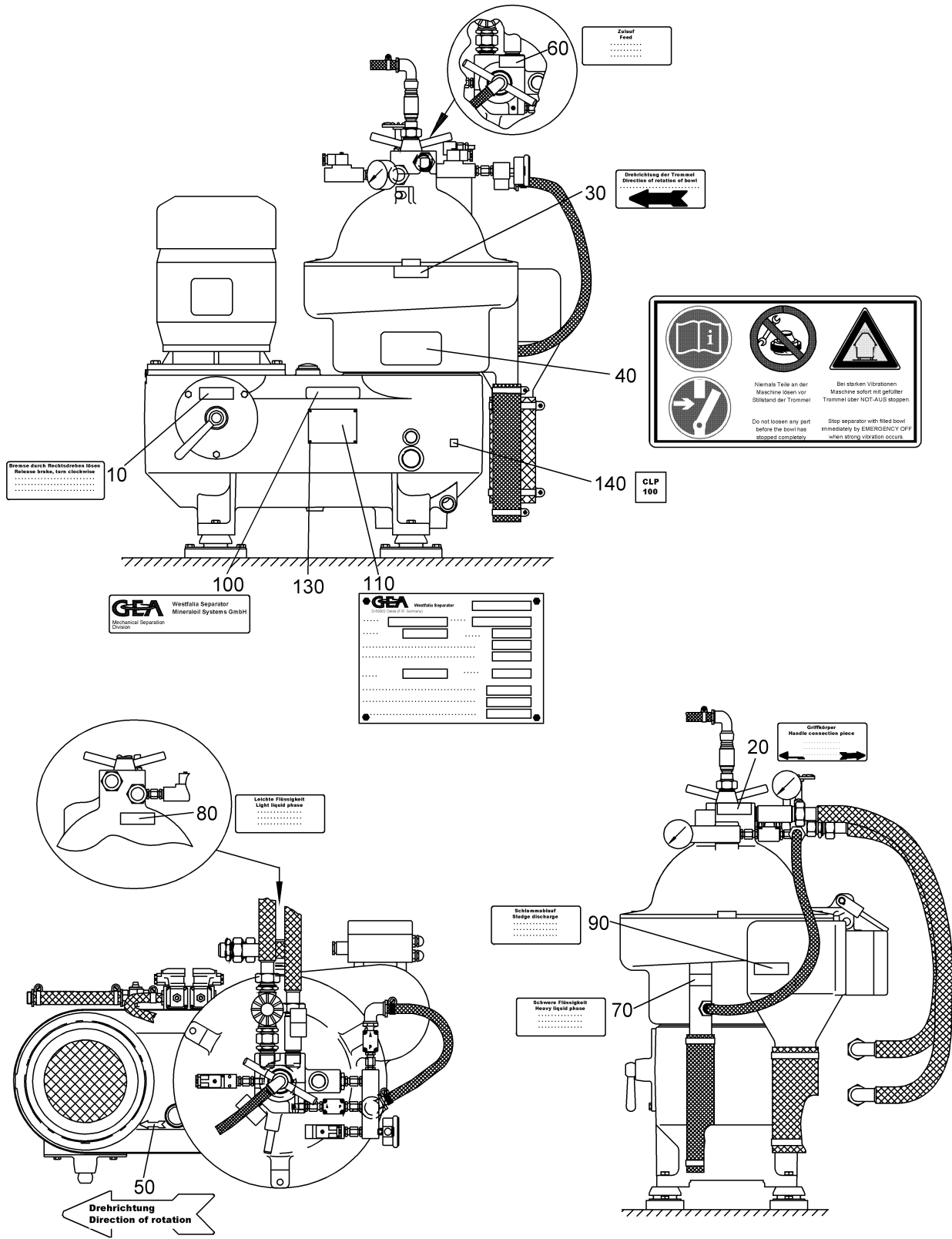
Fig. 272

- **Use only genuine spare parts from Westfalia Separator.**

The use of non-genuine parts leads to:

- safety risks,
- less durability and availability,
- increased service requirement.

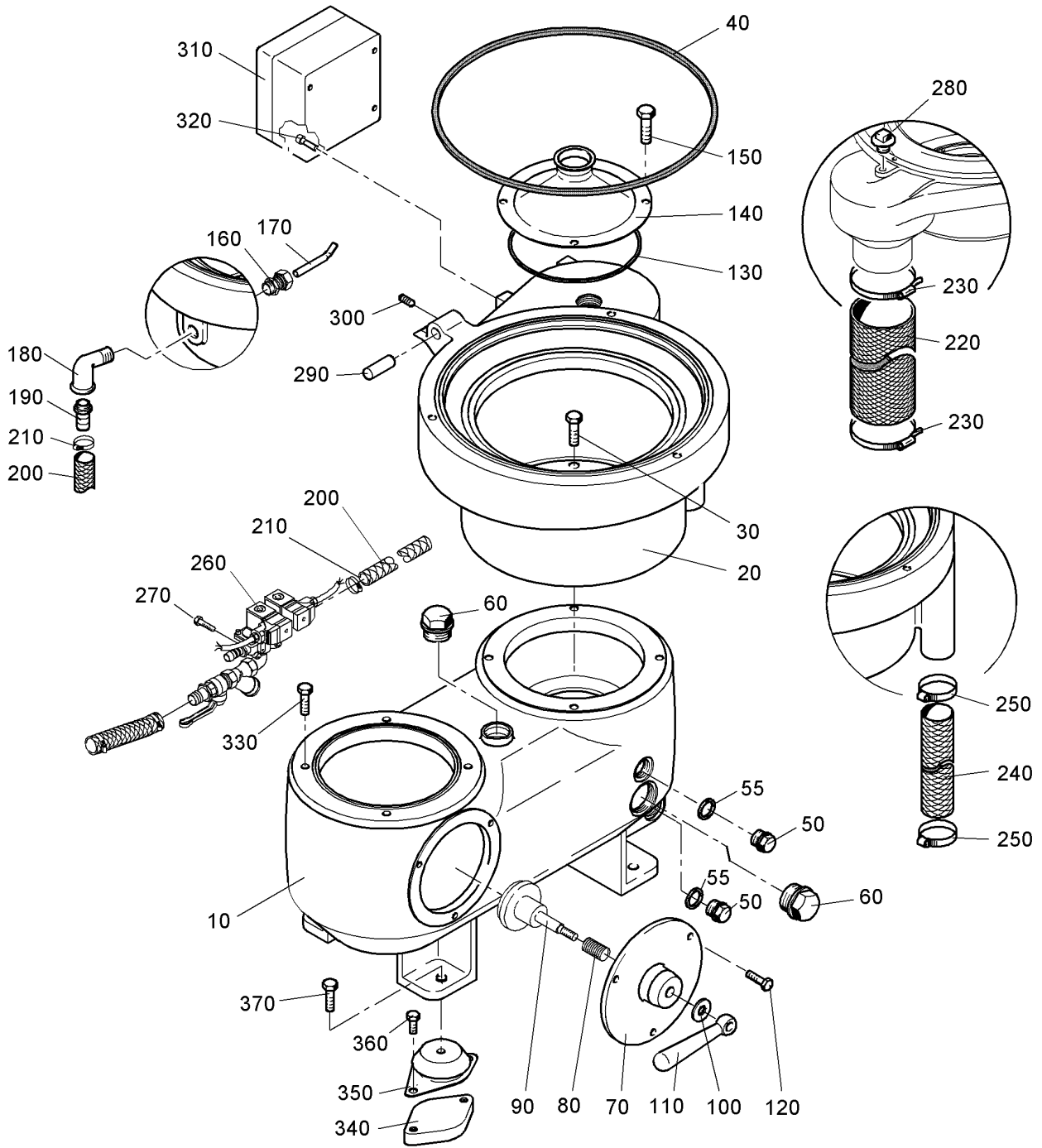
If a safety risk occurs, this may have legal consequences for the responsible persons. In such cases, Westfalia Separator accepts no liability or warranty claims.



0024-4310-00002

Fig. 273

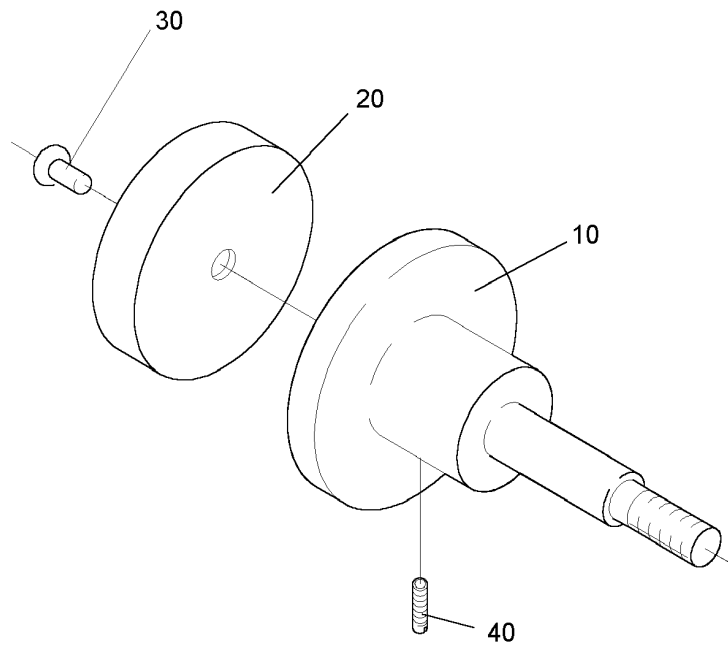
Pos.	Part Number	Qty.	Designation
-	0024-4310-010	1	Set of plates
10	0024-6324-000	1	Adhesive plate
20	0024-6327-000	1	Adhesive plate
30	0024-6326-000	1	Adhesive plate
40	0024-6426-000	1	Plate
50	0024-6071-000	1	Decal "arrow"
60	0024-6330-000	1	Adhesive plate
70	0024-6329-000	1	Adhesive plate
80	0024-6328-000	1	Adhesive plate
90	0024-6325-000	1	Adhesive plate
100	0024-6334-000	1	Maker's nameplate
110	0024-3413-010	1	Nameplate
130	0026-1571-300	4	Grooved drive stud
140	0024-5049-000	1	Adhesive plate



2058-1100-000

Fig. 274

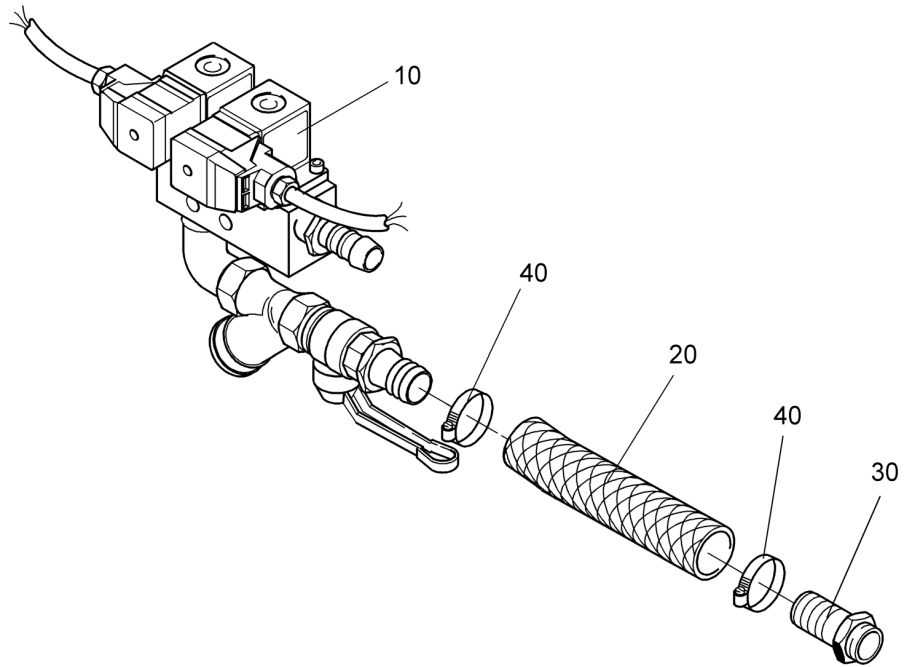
Pos.	Part-No.	Qty.	Designation
-	2058-1100-000	1	Frame, compl.
10	2058-1001-000	1	Lower section of frame
20	2058-1002-000	1	Upper section of frame
30	0019-6970-400	4	Hex head screw
40	0007-3378-750	1	Gasket
50	0019-8910-030	2	Screw plug
55	0007-1796-550	2	Gasket
60	0001-1457-800	2	Sight glass
70	2058-1038-000	1	Brake housing
80	0006-4193-300	1	Cylindrical pressure spring
90	see page 174	1	Brake bolt, complete
100	0026-2407-300	1	Disk
110	0021-3525-000	1	Tapered handle
120	0019-6903-150	3	Hex head screw
130	0007-2825-750	1	Gasket
140	2058-1219-000	1	Operating water feeding system
150	0019-6900-300	4	Hex head screw
160	0018-2477-030	1	Screw coupling
170	2058-1464-000	1	Pipe
180	0018-0021-260	1	Angle
190	0018-1796-600	1	Hose outlet
200	0018-2786-758	0.500 m	Hose
210	0018-3816-300	2	Hose clip
220	0018-6744-710	1	Hose
230	0018-3804-300	2	Hose clip
240	0018-6479-710	1	Hose
250	0018-3817-300	2	Hose clip
260	see page 175	1	Solenoid valve block
270	0019-6498-300	2	Hex head screw
280	0018-0992-260	1	Plug
290	0026-0994-400	1	Cylindrical pin
300	0019-9046-400	1	Threaded pin
310	0005-1538-280	1	Terminal box
320	0019-6110-300	4	Allen screw
330	0019-6970-400	4	Hex head screw
340	2058-1467-000	4	Plate
350	0021-3308-750	4	Machine foot
360	0019-6933-300	8	Hex head screw
370	0019-6972-300	4	Hex head screw



2058-1031-000

Fig. 275

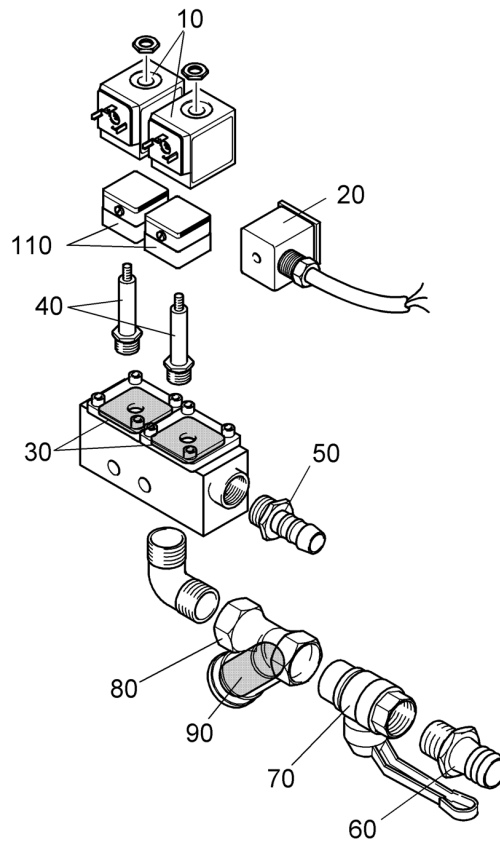
Pos.	Part-No.	Qty.	Designation
-	2058-1031-000	1	Brake bolt, complete
10	2058-1039-000	1	Brake bolt
20	0021-3301-980	1	Brake lining
30	0019-2111-400	1	Countersunk screw
40	0019-6310-300	1	Threaded pin



2048-8105-000

Fig. 276

Pos.	Part-No.	Qty.	Designation
-	2048-8105-020	1	Solenoid valve block, complete
10	see page 176	1	Solenoid valve block
20	0018-2793-758	0.190 m	Hose
30	0018-1797-600	1	Hose outlet
40	0018-3814-310	2	Hose clip



0018-6654-000

Fig. 277

Pos.	Part Number	Qty.		Designation
-	0018-6654-000	1		Solenoid valve block, compl.
10	0018-6654-010	2		Magnet coil
20	0018-5118-040	2		Coupler socket
30	0018-5947-820	2		Diaphragm
40	0018-3695-000	2		Magnet core
50	0018-1796-600	2		Hose outlet
60	0018-1797-600	1		Hose outlet
70	0018-1763-630	1		Sleeve-type ball valve
80	0018-2523-600	1		Strainer, compl.
90	0018-2523-300	1		Filter insert
100	0018-6654-030	1	(1)	Set of gaskets
110	0018-6654-040	2		Housing with manual override

(1) This position is not illustrated.

Note
Notes
Notizen
Anotaciones
Для записей
Muistiinpanot
Σημειώσεις
Notater
Notes
Note

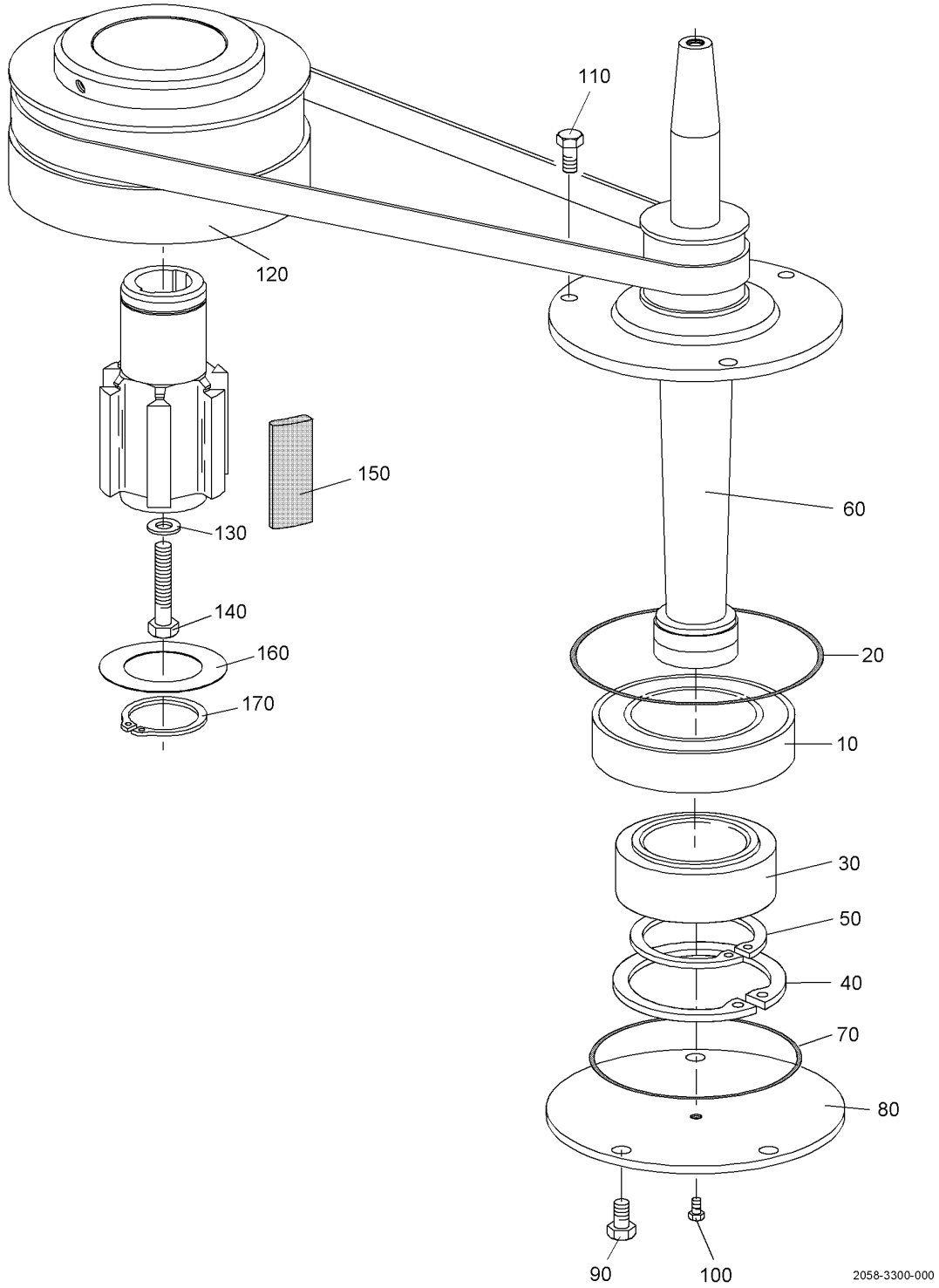


Fig. 278

Pos.	Part Number	Qty.		Designation
-	2058-3300-000	1		Drive, complete
10	0008-3533-000	1		Rubber-metal cushion
20	0007-2581-750	1		Gasket
30	0011-8040-010	1		Pivoting bearing, complete
40	0026-5849-170	1		Retaining ring
50	0026-5834-170	1		Retaining ring
60	see page 180			Set of drive parts
70	0007-2608-750	1		Gasket
80	2050-3375-010	1		Bearing cover
90	0019-6933-300	3		Hex head screw
100	0019-6839-300	1		Hex head screw
110	0019-6933-300	3		Hex head screw
120	see page 185	1		Centrifugal clutch, compl.
130	0026-2418-400	1		Washer
140	0019-6517-300	1		Hex head screw
150	see page 179		(1)	Clutch shoe, compl.
160	2057-3367-000	1		Washer
170	0026-6011-170	1		Retaining ring

(1) The number of clutch shoes depends on the driving force necessary for the centrifuge and on the motor speed. See sect. 145H4.5.

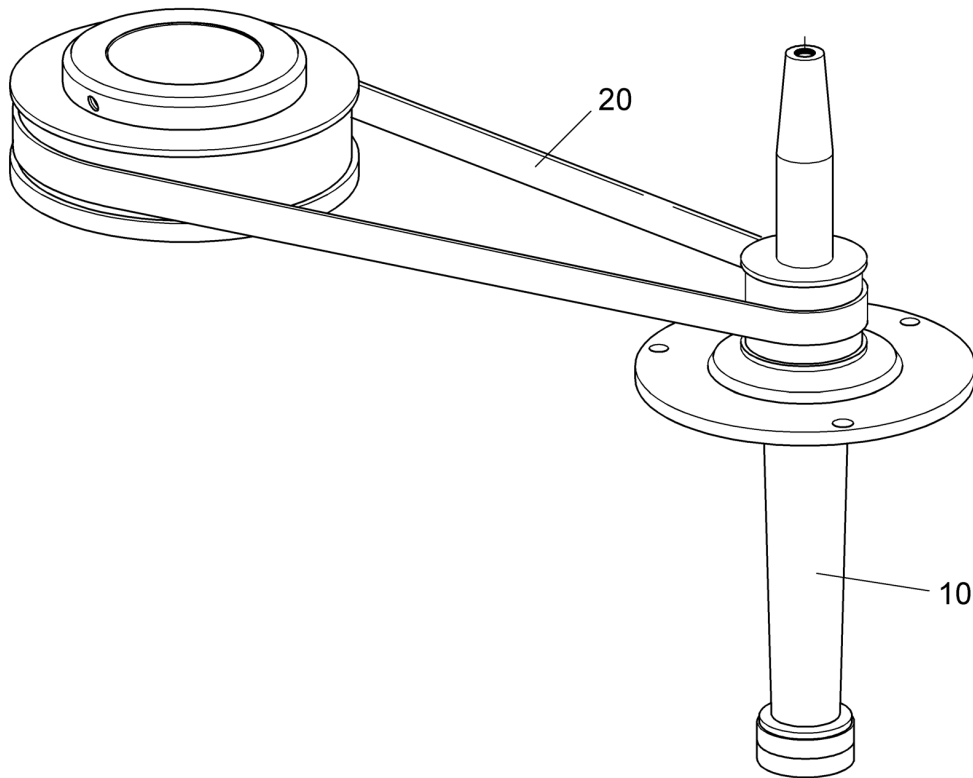
Clutch shoes

Hz	Clutch shoe	Qty.
50	0021-3293-870	3
60	0021-3293-870	2



IMPORTANT:

The number of clutch shoes depends on the driving power and speed of the motor. See section 4.5.



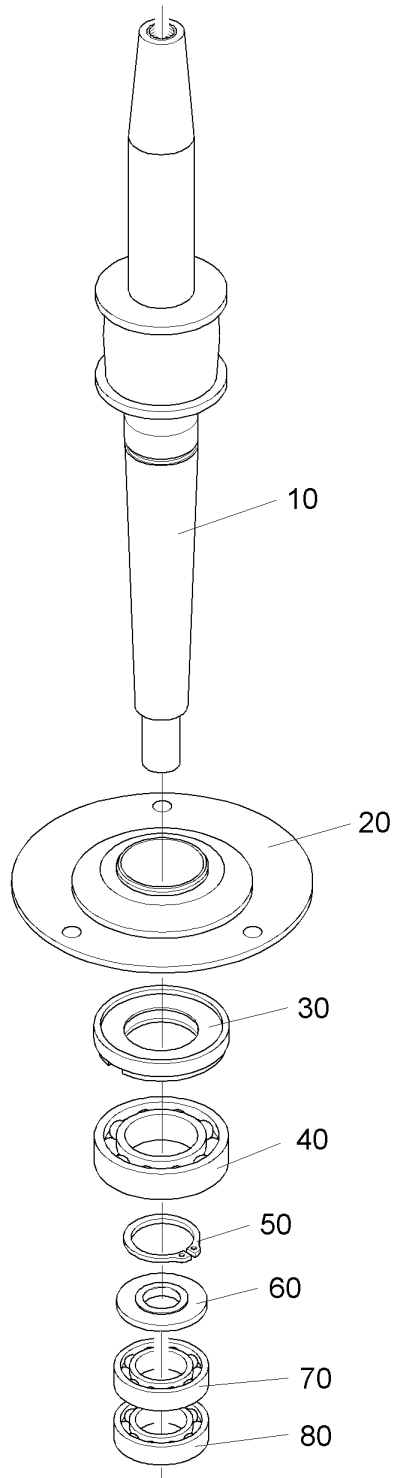
2058-3050-000

Fig. 279

Pos.	Part Number	Qty.	Designation
-	2058-3050-000	1	Set of drive parts – 50 Hz
10	See page 183	1	Spindle assembly
20	0021-3345-900	1	Drive belt

Pos.	Part Number	Qty.	Designation
-	2058-3060-000	1	Set of drive parts – 60 Hz
10	See page 183	1	Spindle assembly
20	0021-3344-900	1	Drive belt

Note
Notes
Notizen
Anotaciones
Для записей
Muistiinpanot
Σημειώσεις
Notater
Notes
Note

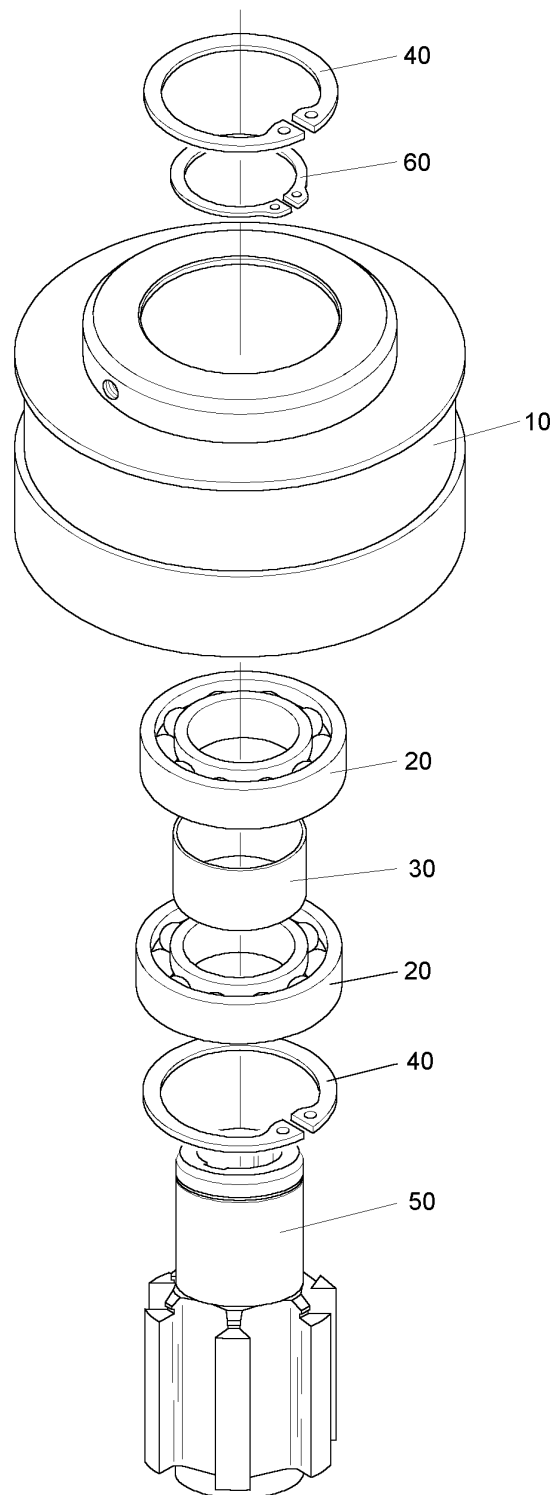


2058-3429-000-010

Fig. 280

Pos.	Part Number	Qty.	Designation
-	2058-3429-040	1	Spindle, complete - 50 Hz
10	2058-3410-000	1	Spindle
20	2058-3375-000	1	Bearing cover
30	2058-3375-010	1	Bearing cover
40	0011-6207-000	1	Grooved ball bearing
50	0026-5866-170	1	Retaining ring
60	0008-1708-010	1	Ball bearing protection ring
70	0011-6203-000	1	Grooved ball bearing
80	0011-7203-250	1	Angular contact ball bearing

Pos.	Part Number	Qty.	Designation
-	2058-3429-050	1	Spindle, complete - 60 Hz
10	2058-3410-010	1	Spindle
20	2058-3375-000	1	Bearing cover
30	2058-3375-010	1	Bearing cover
40	0011-6207-000	1	Grooved ball bearing
50	0026-5866-170	1	Retaining ring
60	0008-1708-010	1	Ball bearing protection ring
70	0011-6203-000	1	Grooved ball bearing
80	0011-7203-250	1	Angular contact ball bearing



2058-3385-000

Fig. 281