



JOKWANG I.L.I CO.,LTD.

**DRAWING
FOR
QUOTATION**

PRESSURE SAFETY & RELIEF VALVE SPECIFICATIONS

Doc.No. : 161116-140

PROJECT NAME:

PROJECT NO. :
(HULL NO)

CLIENT :

SITE :

Head Office & Plant

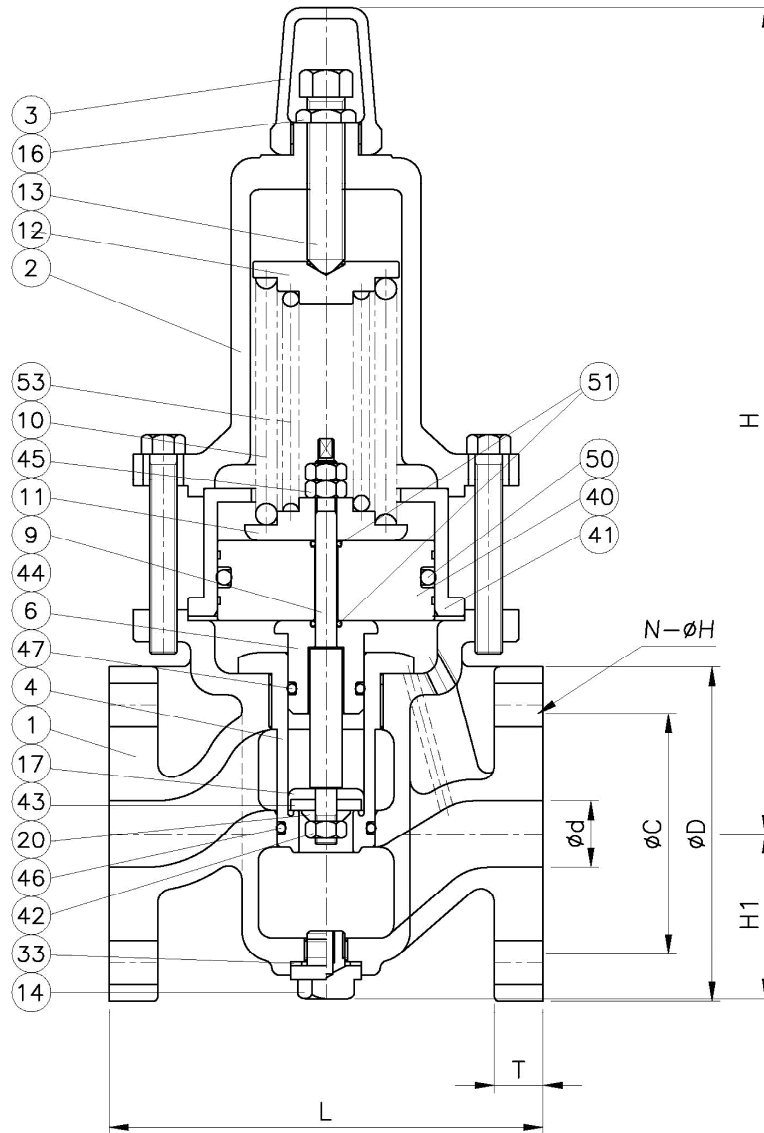
#37, Sanmakgongdanbuk 10-gil, Yangsan-si, Gyeongsangnam-do, Korea

Tel : (055) 360 - 0200 Fax : (055) 360 - 0260

<http://www.jokwang.co.kr>

0	2016. 11. 16.	Quotation	S.W JUNG	J.B.SO	S.C.KIM		
REV.	DATE	DESCRIPTION	PREP'D	CHK'D	APP'D	APP'D	DATE
						CLIENT	

TAG NO.



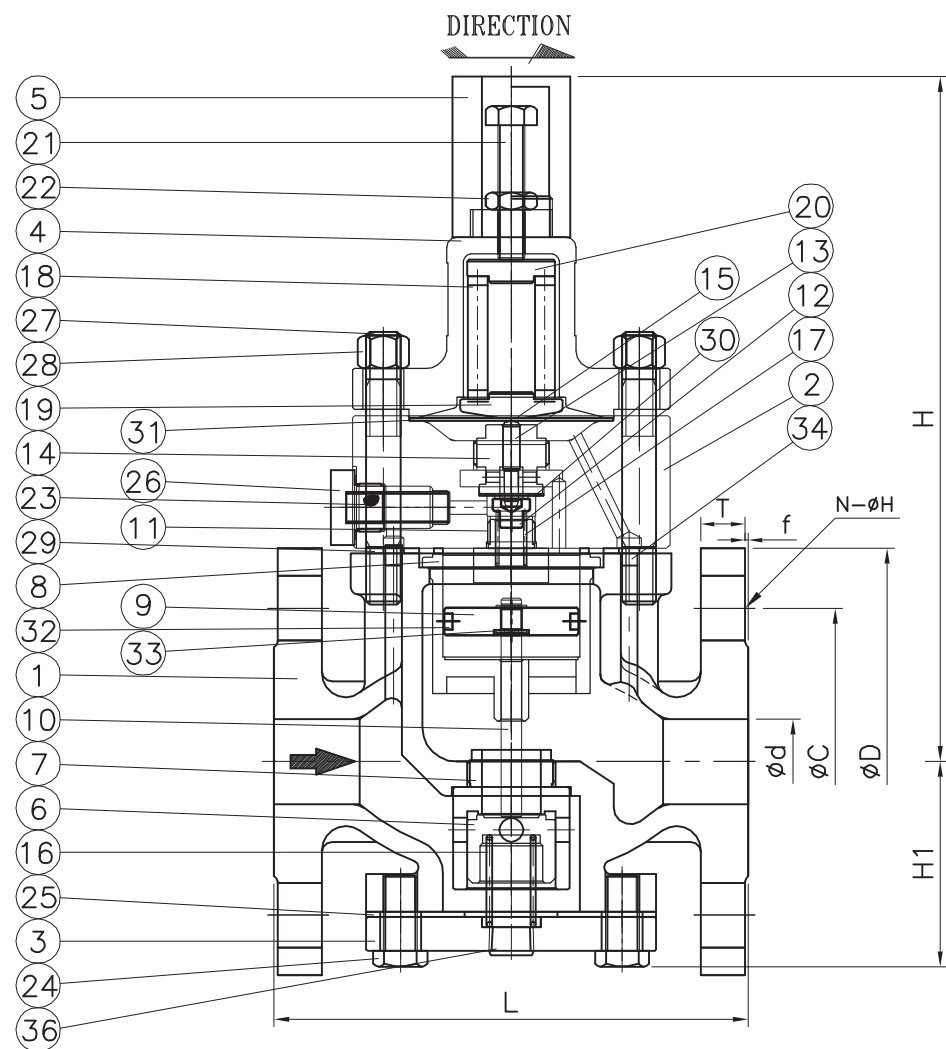
NO	PART NAME	MATERIAL	QTY	REMARK
53	SPRING(IN)	SAE 9254	1	
51	O-RING	FPM	2	
50	O-RING	FPM	1	
49	O-RING	FPM	1	
47	O-RING	FPM	1	
46	O-RING	FPM	1	
45	STEM NUT	SS400	2	
44	BOLT	SCM 440		
43	DISC RUBBER	NBR	1	
42	NYLON NUT	A194 8	1	
41	CYLINDER	SS. 304	1	
40	PISTON	SS. 304	1	
33	PLUG GASKET	PTFE	1	
20	DISC WASHER	C3604	1	
17	DISC	C 3604	1	
16	LOCK NUT	SS400	1	
14	PLUG	CAC 406	1	
13	ADJUST SCREW	SS400	1	
12	SPRING SEAT(UPP.)	FC200	1	
11	SPRING SEAT(LOW.)	FC200	1	
10	SPRING(OUT)	SAE 9254	1	
9	STEM	A276 304	1	
6	STEM GUIDE	A276 304	1	
4	SEAT	CAC 406	1	
3	CAP	FC 200	1	
2	BONNET	FC 200	1	
1	BODY	FC 200	1	

DWG NO.		JKS-SLQ026138 -10		Designed	Checked	Approved
MODEL		JRV-FF12				
DATE		2016-11-16		J.Y.LIM	Y.S.KIM	J.K.KIM
PRIMARY PRESSURE REGULATING VALVE						REV
JOKWANG I.L.I CO.,LTD.						0

DIMENSION

UNIT : mm

SIZE	d	L	H1	H	FLANGE JIS B 2220 10K FF						Wt(kg)
					D	g	c	T	f	N-H	
20A	20	160	62	308	100	-	75	18	-	4-15	10.5



SIZE	CODE
15A	JRV-SF16-0015
20A	JRV-SF16-0020
25A	JRV-SF16-0025

36	PLUG	S45C	1	1/4"
34	SPRING PIN	A276 304	2	
33	E-RING	SK-5M	3	
32	PISTON RING	PTFE	1	
31	DIAPHRAGM GASKET	PTFE	1	
30	PILOT SEAT GASKET	COPPER	1	
29	TOP COVER GASKET	GRAPHITE	1	
28	NUT	SS400	4	
27	STUD BOLT	SS400	4	
26	STRAINER PLUG	SS400	1	
25	BOTTOM COVER GASKET	GRAPHITE	1	
24	BOLT	SS400	4	
23	SCREEN	A240 304	1	
22	LOCK NUT	SS400	1	
21	ADJUST SCREW	SS400	1	
20	SPRING SEAT(UPP)	A105	1	
19	SPRING SEAT(LOW)	A105	1	
18	ADJUST SPRING	SWOSC	1	
17	PILOT VALVE SPRING	SUS 304	1	
16	MAIN VALVE SPRING	SUS 304	1	
15	DIAPHRAGM	A240 304	1	
14	PILOT VALVE SEAT	A276 303	1	
13	PILOT VALVE ROD	A582 420F	1	
12	PILOT VALVE DISC	A276 303	1	
11	PILOT ROOM PLUG	A105+Ni	1	
10	PISTON ROD	A276 304	1	
9	PISTON	A276 304	1	
8	CYLINDER	SCS 13	1	
7	MAIN VALVE SEAT	A276 304	1	
6	MAIN VALVE DISC	A276 410	1	
5	CAP	S45C	1	
4	SPRING CASE	FCD 450	1	
3	BOTTOM COVER	A105	1	
2	TOP COVER	S45C	1	
1	BODY	FCD 450	1	

NO	PART NAME	MATERIAL	Q'TY	REMARK
----	-----------	----------	------	--------

DES	CHE	APP	DATE	2014.06.27
2016.11.10	<i>[Signature]</i>	<i>[Signature]</i>	SCALE	N S
H.SAGONG	Y.S.KIM	C.U.LIM		

D.W.G NAME	10 Kgf/cm2	MODEL NO
------------	------------	----------

PRESSURE REDUCING VALVE	JSV-SF16
-------------------------	----------

JOKWANG I.L.I CO.,LTD.	D.W.G NO	REV
	JKS-2411001	3

SIZE	d	L	H1	H	FLANGE JIS B 2220 10K RF					W.T (Kg)	Q'TY (EA)
					D	C	T	f	N-øH		
15A	15	139	63	200	95	70	14	1	4-15	8.6	
20A	20	139	63	200	100	75	14	1	4-15	9	
25A	25	139	63	200	125	90	14	1	4-19	9.7	