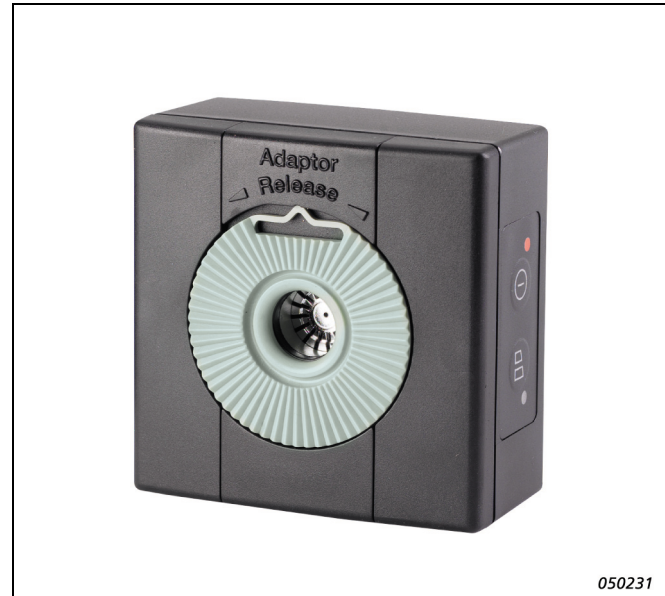


# PRODUCT DATA

## Sound Calibrator — Type 4231

*Sound Calibrator Type 4231 is a handy, portable sound source for calibration of sound level meters and other sound measurement equipment. The calibrator is very robust and stable, and conforms to EN/IEC 60942 Class LS and Class 1, and ANSI S1.40-1984.*



### USES AND FEATURES

#### USES

- Calibration of sound level meters and other sound measurement equipment

#### FEATURES

- Conforms to EN/IEC 60942 (2003) Class LS and Class 1, and ANSI S1.40-1984
- Robust, pocket-sized design with highly stable level and frequency
- Calibration accuracy  $\pm 0.2$  dB
- 94 dB SPL, or 114 dB SPL for calibration in noisy environments
- Extremely small influence of static pressure and temperature
- Sound pressure independent of microphone equivalent volume
- 1 kHz calibration frequency for correct calibration level independent of weighting networks
- Fits Brüel & Kjær 1" and 1/2" microphones (1/4" and 1/8" microphones with adaptor)
- Switches off automatically when removed from the microphone

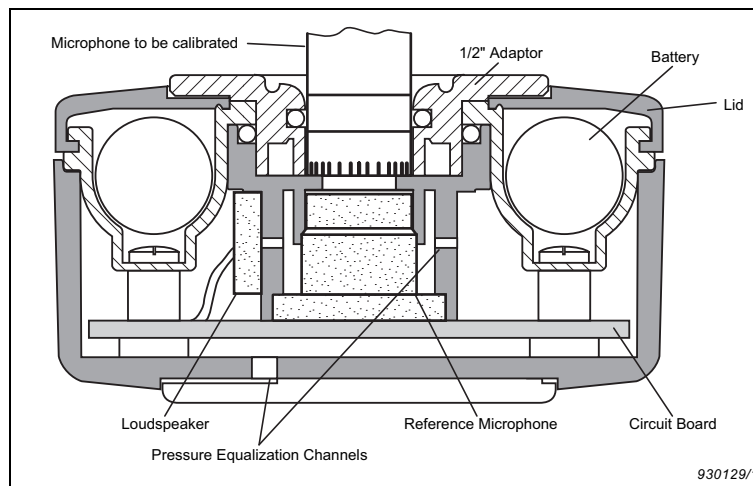
## Sound Calibrator Type 4231

Sound Calibrator Type 4231 is a pocket-sized, battery operated sound source for quick and direct calibration of sound level meters and other sound measuring systems. It fits Brüel & Kjær 1" microphones and using the removable adaptor, 1/2" microphones. With optional adaptors, it can be used for 1/4" and 1/8" microphones as well.

The calibration frequency is 1000 Hz (the reference frequency for the standardised international weighting networks), so the same calibration value is obtained for all weighting networks (A, B, C, D and Linear). The calibration pressure of  $94 \pm 0.2$  dB re  $20 \mu\text{Pa}$  is equal to 1 Pa or  $1 \text{ N/m}^2$ . The +20 dB level step gives 114 dB SPL, which is convenient for calibration in noisy environments, or for checking linearity.

The design of Type 4231 is based on a feed-back arrangement to ensure a highly stable sound pressure level and ease of use. The feed-back loop uses a condenser microphone (see Fig. 1), which is specially developed for this purpose.

**Fig. 1**  
Cross-sectional view of Sound Calibrator Type 4231. The feed-back loop is based on a high-quality condenser microphone to ensure a very stable sound pressure level



This microphone is optimised to have extremely high stability and independence of variations in static pressure and temperature around the 1 kHz calibration frequency. The result of this is a user-friendly calibrator where exact fitting of the microphone is non critical and the effects of changes in temperature and static pressure are negligible.

**Fig. 2**  
Type 4231 fitted to Hand-held Analyzer Type 2250. The calibrator's centre of gravity is positioned very close to the microphone, giving a stable set-up





The calibrator gives a continuous sound pressure level when fitted on a microphone (see Fig. 2) and activated.

The sensitivity of the sound measuring equipment can then be adjusted until it indicates the correct sound pressure level.

The calibrator is automatically switched off when removed from the microphone.

A leather protecting case, which does not need to be removed to use the calibrator, is supplied.

## Compliance with Standards

 	CE-mark indicates compliance with: EMC Directive and Low Voltage Directive. C-Tick mark indicates compliance with the EMC requirements of Australia and New Zealand.
<b>Safety</b>	EN/IEC 61010-1: Safety requirements for electrical equipment for measurement, control and laboratory use. ANSI/UL 61010-1: Safety requirements for electrical equipment for measurement, control and laboratory use.
<b>EMC Emission</b>	EN/IEC 61000-6-3: Generic emission standard for residential, commercial and light industrial environments. EN/IEC 61000-6-4: Generic emission standard for industrial environments. CISPR 22: Radio disturbance characteristics of information technology equipment. Class B Limits. FCC Rules, Part 15: Complies with the limits for a Class B digital device. EN/IEC 60942: Instrumentation Standard – Electroacoustics – Sound Calibrators.
<b>EMC Immunity</b>	EN/IEC 61000-6-1: Generic standards – Immunity for residential, commercial and light industrial environments. EN/IEC 61000-6-2: Generic standards – Immunity for industrial environments. EN/IEC 61326: Electrical equipment for measurement, control and laboratory use – EMC requirements. EN/IEC 60942: Instrumentation Standard – Electroacoustics – Sound Calibrators. <b>Note:</b> The above is only guaranteed using accessories listed in this Product Data sheet.
<b>Temperature</b>	IEC 60068-2-1 & IEC 60068-2-2: Environmental Testing. Cold and Dry Heat. Operating Temperature: -10 to +50°C (14 to 122°F) Storage Temperature: -25 to +70°C (-13 to +158°F)
<b>Humidity</b>	IEC 60068-2-78: Damp Heat: 90% RH (non-condensing at 40°C (104°F)).
<b>Mechanical</b>	Non-operating: IEC 60068-2-6: Vibration: 0.3 mm (10 to 58 Hz), 20 m/s <sup>2</sup> (58–500 Hz) IEC 60068-2-27: Shock: 1000 m/s <sup>2</sup> IEC 60068-2-29: Bump: 3000 bumps at 400 m/s <sup>2</sup>
<b>Enclosure</b>	IEC 60529: Protection provided by enclosures: IP 50 with leather protection case.

## Specifications – Sound Calibrator Type 4231

### STANDARDS SATISFIED

EN/IEC 60942 (2003), Class LS and Class 1, Sound Calibrators  
ANSI S1.40–1984, Specification for Acoustic Calibrators

### SOUND PRESSURE LEVELS

94.0 dB ±0.2 dB (Principal SPL) or  
114.0 dB ±0.2 dB re 20 µPa at reference conditions

### FREQUENCY

1 kHz ±0.1%

### SPECIFIED MICROPHONE

Size according to IEC 61094-4:

- 1" without adaptor
- 1/2" with adaptor UC-0210 (supplied)
- 1/4" with adaptor DP-0775 (optional)
- 1/8" with adaptor DP-0774 (optional)

### EQUIVALENT FREE-FIELD LEVEL

(0° incidence, re Nominal Sound Pressure Level)  
–0.15 dB for 1/2" Brüel & Kjær Microphones. See Type 4231 User Manual for other microphones

### EQUIVALENT RANDOM INCIDENCE LEVEL

(re Nominal Sound Pressure Level)  
+0.0 dB for 1", 1/2", 1/4" and 1/8" Brüel & Kjær Microphones

### NOMINAL EFFECTIVE COUPLER VOLUME

> 200 cm<sup>3</sup> at reference conditions

### DISTORTION

< 1%

### LEVEL STABILITY

**Short-term:** Better than 0.02 dB (as specified in IEC 60942)

**One Year:** Better than 0.05 dB ( $\sigma = 96\%$ )

**Stabilization Time:** < 5 s

### REFERENCE CONDITIONS

**Temperature:** 23°C ±3°C (73° ±5°F)

**Pressure:** 101 ±4 kPa

**Humidity:** 50%, -10% +15% RH

**Effective Load Volume:** 0.25 cm<sup>3</sup>

### ENVIRONMENTAL CONDITIONS

**Pressure:** 65 to 108 kPa

**Humidity:** 10 to 90% RH (non-condensing)

**Effective Load Volume:** 0 to 1.5 cm<sup>3</sup>

### INFLUENCE OF ENVIRONMENTAL CONDITIONS (Typical)

**Temperature Coefficient:** ±0.0015 dB/°C

**Pressure Coefficient:** +8 × 10<sup>-4</sup> dB/kPa

**Humidity Coefficient:** 0.001 dB/% RH

### POWER SUPPLY

**Batteries:** 2 × 1.5 V IEC Type LR6 ("AA" size)

**Lifetime:** Typically 200 hours continuous operation with alkaline batteries at 23°C (73°F)

**Battery Check:** When Type 4231 stops working continuously, and only operates when the On/Off button is held in, the batteries should be replaced

### DIMENSIONS AND WEIGHT

(Without case)

**Height:** 40 mm (1.5")

**Width:** 72 mm (2.8")

**Depth:** 72 mm (2.8")

**Weight:** 150 g (0.33 lb.), including batteries

**Note:** All values are typical at 25°C (77°F), unless measurement uncertainty or tolerance field is specified. All uncertainty values are specified at 2  $\sigma$  (i.e., expanded uncertainty using a coverage factor of 2)

---

## Ordering Information

---

Type 4231 Sound Calibrator includes the following accessories:

KE-0317    Leather Case  
QB-0013    2 Alkaline Batteries Type LR6  
UC-0210    Adaptor for 1/2" microphones

## Optional Accessories

DP-0775    Adaptor for 1/4" microphones  
DP-0774    Adaptor for 1/8" microphones  
DP-0887    Adaptor for Head and Torso Simulator Type 4128  
DP-0888    Adaptor for Intensity Probe Sets Types 3545, 3548, 3583, 3584

---

Brüel & Kjær reserves the right to change specifications and accessories without notice

---

**HEADQUARTERS: DK-2850 Nærum · Denmark · Telephone: +45 4580 0500**  
Fax: +45 4580 1405 · [www.bksv.com](http://www.bksv.com) · [info@bksv.com](mailto:info@bksv.com)

Australia (+61) 2 9889-8888 · Austria (+43) 1 865 74 00 · Brazil (+55) 11 5188-8161  
Canada (+1) 514 695-8225 · China (+86) 10 680 29906 · Czech Republic (+420) 2 6702 1100  
Finland (+358) 9-521 300 · France (+33) 1 69 90 71 00 · Germany (+49) 421 17 87 0  
Hong Kong (+852) 2548 7486 · Hungary (+36) 1 215 83 05 · Ireland (+353) 1 807 4083  
Italy (+39) 0257 68061 · Japan (+81) 3 5715 1612 · Republic of Korea (+82) 2 3473 0605  
Netherlands (+31) 318 55 9290 · Norway (+47) 66 77 11 55 · Poland (+48) 22 816 75 56  
Portugal (+351) 21 41 69 040 · Singapore (+65) 6377 4512 · Slovak Republic (+421) 25 443 0701  
Spain (+34) 91 659 0820 · Sweden (+46) 33 225 622 · Switzerland (+41) 44 880 7035  
Taiwan (+886) 2 2502 7255 · United Kingdom (+44) 14 38 739 000 · USA (+1) 800 332 2040

Local representatives and service organisations worldwide

**Brüel & Kjær** 

