



# 8" KPAK: 8638 M-183-LPP MODULE

## E-Coat Ultrafiltration Modules

<b>PRODUCT DESCRIPTION</b>	<b>KMS Part Number (KPN):</b>	0750785
	<b>Membrane Chemistry:</b>	PVDF
	<b>Membrane Type:</b>	HFM (Positive Charge)
	<b>Membrane Area:</b>	288 ft <sup>2</sup> (26.7 m <sup>2</sup> )
	<b>Construction:</b>	Spiral wound element with integrated PVC housing
	<b>Feed Spacer Thickness:</b>	30 mils (0.76 mm)
	<b>Interconnecting Components:</b>	See page 2.

<b>OPERATING &amp; DESIGN INFORMATION*</b>	<b>Maximum Inlet Pressure at Temperature:</b>	80.0 psi @ 110 °F (5.5 bar @ 43 °C)
	<b>Maximum Inlet Pressure at Temperature:</b>	64.0 psi @ 120 °F (4.4 bar @ 49 °C)
	<b>Minimum Outlet Pressure:</b>	10.0 psi (0.70 bar)
	<b>Maximum Operating Temperature at Pressure:</b>	125 °F @ 56 psi (51.6 °C @ 3.9 bar)
	<b>Maximum Permeate Side Back Pressure:</b>	5.0 psi (0.34 bar)
	<b>Maximum Feed Side Pressure Drop:</b>	35.0 psi @ 125° F (2.4 bar @ 51.6° C)
	<b>Allowable pH – Continuous Exposure:</b>	2.0 – 10.0 pH @ 125 °F (51.6 °C)
<b>Allowable pH – Short Term Exposure:</b>	1.5 – 10.5 pH @ 125 °F (51.6 °C)	

*\*Koch Membrane Systems, Inc. must review operating and cleaning conditions for all new plants and any changes to existing plants.*

<b>FEED FLOW VS. PRESSURE DROP (Typical)*</b>	<b>Circulation Flow</b>		<b>Pressure Drop</b>	
	<b>gpm</b>	<b>m<sup>3</sup>/hr</b>	<b>psi</b>	<b>bar</b>
	62	14.1	25	1.7
	70	15.9	30	2.1
	75	17.0	35	2.4

*\*Data are based on water @ 77 °F and a specific gravity of 1.0.*

<b>NOMINAL DIMENSIONS</b>	<b>Element Length:</b>	39.25 in (997.0 mm)
	<b>Element O.D.:</b>	8.63 in (219.2 mm)
	<b>Permeate Tube I.D.:</b>	1.3 in (33.0 mm)
	<b>Element Shipping Weight:</b>	70 lbs (32 kg)
	<b>Element Working Weight:</b>	90 lbs (40.82 kg)

## 8" KPAK SPIRAL MODULE ASSEMBLY

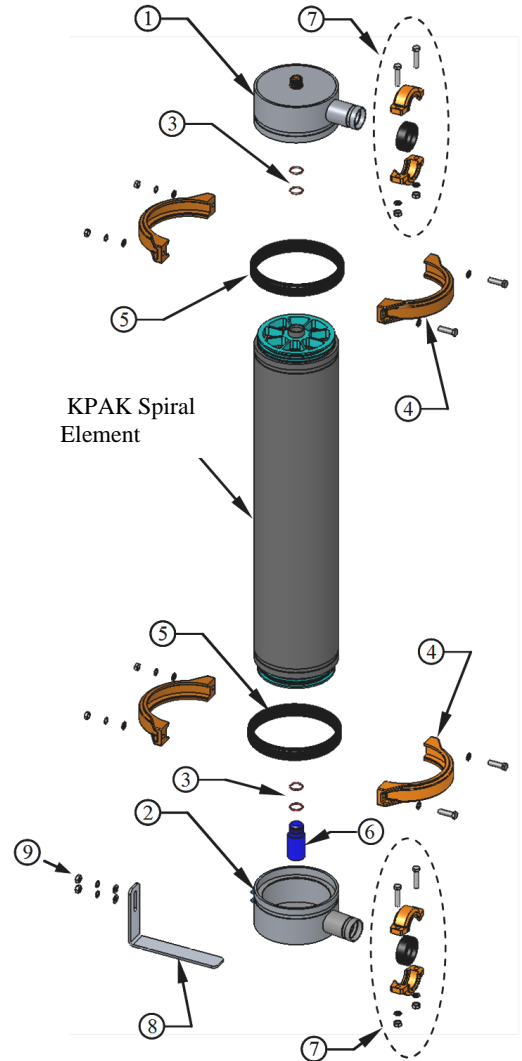
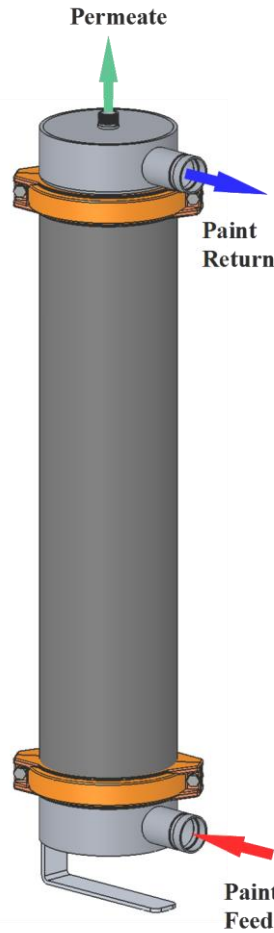
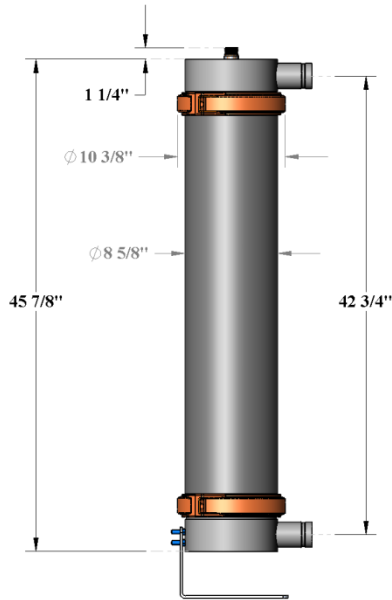
KPN 0211860 – Kit for New Systems

KPN 0211851 – Retrofit Kit with 2" Process Ports

KPN 0211858 – Retrofit Kit with 1 1/2" Process Ports

### Description

Item	Description	Material	KPN	Req.
1	Outlet End Cap	304 SS	1005176	1
2	Inlet End Cap	304 SS	1005175	1
3	Permeate O-Ring	EPDM	1006103	4
4	8" Coupling	Steel	1001123	2
5	8" Gasket	EPDM	<i>Comes with #4</i>	2
6	Permeate Plug	PVC	1005183	1
7a	2" Coupling	Steel/EPDM	0151258	2
or				
7b	2" X 1 1/2" Coupling	Steel/EPDM	1004333	2
<u>Items 8-9 are for Retrofit Only</u>				
8	Cartridge Support	304 SS	0030363	1
9	Hardware 3/8"-16UNC	304 SS	0211865	1



The information contained in this publication is believed to be accurate and reliable, but is not to be construed as implying any warranty or guarantee of performance. We assume no responsibility, obligation or liability for results obtained or damages incurred through the application of the information contained herein. Refer to Standard Terms and Conditions of Sale and Performance Warranty documentation for additional information.

Koch Membrane Systems, Inc., [www.kochmembrane.com](http://www.kochmembrane.com)

Corporate Headquarters: 850 Main Street, Wilmington, Massachusetts 01887-3388, US, Tel. Toll Free: 1-888-677-5624, Telephone: 1-978-694-7000, Fax: 1-978-657-5208

European Headquarters: Koch Chemical Technology Group Ltd., Units 3-6, Frank Foley Way, Stafford ST16 2ST, GB, Telephone: +44-178-527-2500, Fax: +44-178-522-3149

• Aachen DE • Lyon FR • Madrid ES • Milan IT • Wijnegem BE • Beijing & Shanghai CN • Mumbai & New Delhi IN • Melbourne & Sydney AU • Singapore • Sao Paulo BR • Dubai UAE •

For related trademark information, visit [www.kochmembrane.com](http://www.kochmembrane.com)

Koch Membrane Systems, Inc. is a Koch Chemical Technology Group, LLC Company.