

**APPLICATIONS:**

Compressed air, fuel, water, oil, gas, low pressure steam

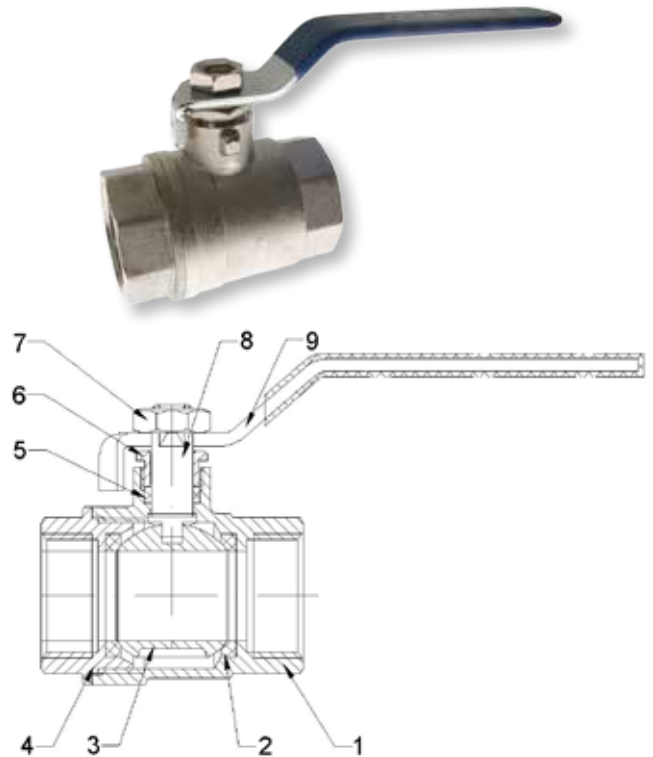
**CONNECTION:** BSP threaded acc. to EN 10226-1

**SERVICE CONDITIONS:**

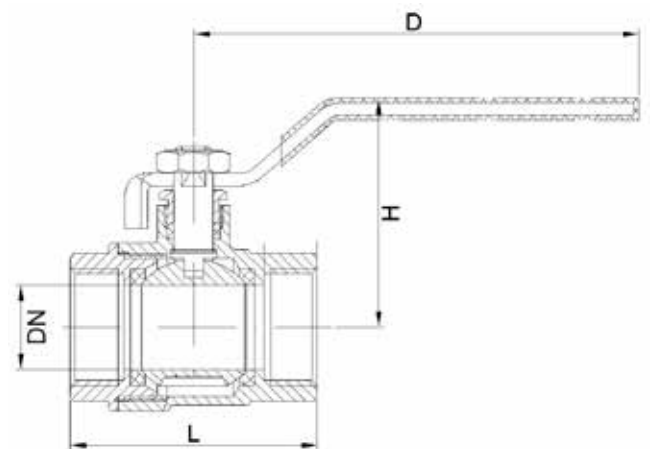
 Pressure: 25 bar  
 Temperature: 150°C

**MATERIALS:**

N°	Description	Materials
1	Body	Brass MS 58
2	Seat	PTFE
3	Ball	Brass MS 58
4	End cap	Brass MS 58
5	Packing	PTFE
6	Gland	Brass MS 58
7	Nut	Steel
8	Stem	Brass MS 58
9	Handle	Steel


**DIMENSIONS:** (mm)

Ø	DN	L	H	D	PN	Kg
1/4"	8	42,0	42,0	81	25	0,15
3/8"	10	42,0	42,0	81	25	0,15
1/2"	15	48,0	47,0	87	25	0,18
3/4"	20	55,0	50,0	87	25	0,25
1"	25	66,0	57,0	126	25	0,40
1 1/4"	32	77,0	62,5	136	25	0,64
1 1/2"	40	86,0	77,5	160	25	0,90
2"	50	98,0	85,0	160	25	1,36


**PRESSURE-TEMPERATURE CHART:**
