

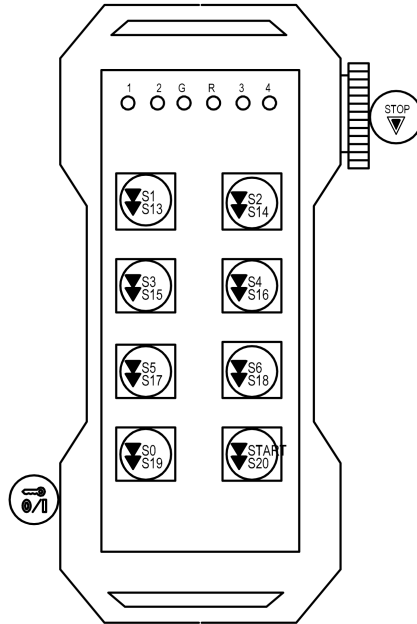
KLKN08301L0 TECHNICAL DATA SHEET



COVER IMAGE ONLY FOR REFERENCE

TECHNICAL DATA DATI TECNICI	
Frequency	863-870 MHz
Transmitter	LK NEO 8
Receiver	ACRS13-L small AC
Battery type	Li-ion Battery
Charger	AC European plug
Harness/Belt option	Shoulder harness with Heavy Duty cover
Receiver's antenna	Spiral antenna TNC

FACTORY DEFAULT SETTINGS IMPOSTAZIONI DI FABBRICA	
RF Power	High
Radio mode	Frequency Hopping Spread Spectrum
Bank group	Group 0

TRANSMITTER MODEL: LKN08


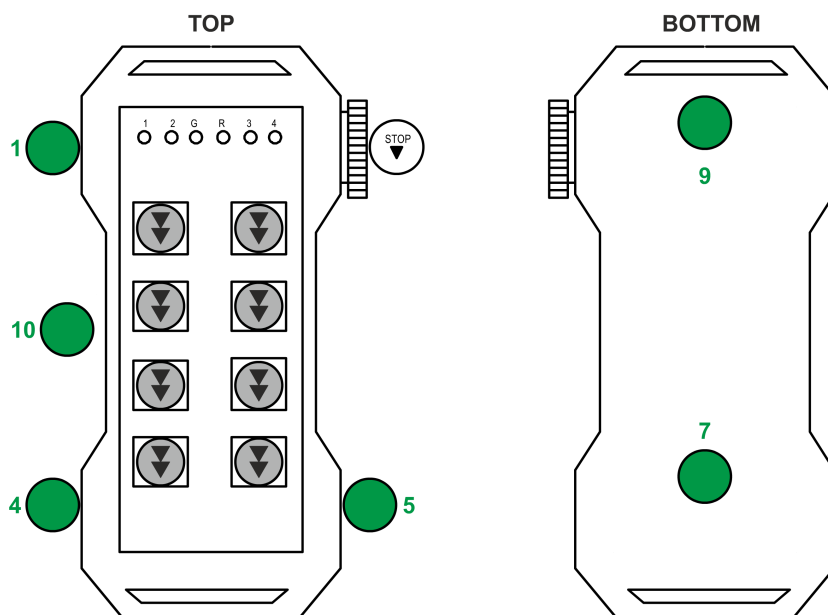
COMMAND
 STOP
 COMMAND + SAFETY

DIGITAL COMMANDS CONTROLLED AT START-UP | COMANDI DIGITALI CONTROLLATI ALL'ACCENSIONE

S0	S1	S2	S3	S4	S5	S6	S7	S8	S9	S10	S11	S12	S13	S14	S15
<input checked="" type="checkbox"/>	<input checked="" type="checkbox"/>	<input checked="" type="checkbox"/>	<input checked="" type="checkbox"/>	<input checked="" type="checkbox"/>	<input checked="" type="checkbox"/>	<input checked="" type="checkbox"/>	<input checked="" type="checkbox"/>	<input checked="" type="checkbox"/>	<input checked="" type="checkbox"/>	<input checked="" type="checkbox"/>	<input checked="" type="checkbox"/>	<input checked="" type="checkbox"/>	<input checked="" type="checkbox"/>	<input checked="" type="checkbox"/>	<input checked="" type="checkbox"/>
S16	S17	S18	S19	S20	S21	S22	S23	S24	S25	S26	S27	S28	S29	S30	S31
<input type="checkbox"/>	<input type="checkbox"/>	<input type="checkbox"/>	<input type="checkbox"/>	<input type="checkbox"/>	<input type="checkbox"/>	<input type="checkbox"/>	<input type="checkbox"/>	<input type="checkbox"/>	<input type="checkbox"/>	<input type="checkbox"/>	<input type="checkbox"/>	<input type="checkbox"/>	<input checked="" type="checkbox"/>	<input checked="" type="checkbox"/>	<input checked="" type="checkbox"/>
S32	S33	S34	S35	S36	S37	S38	S39	S40	S41	S42	S43	S44			
<input type="checkbox"/>	<input type="checkbox"/>	<input type="checkbox"/>	<input type="checkbox"/>	<input type="checkbox"/>	<input type="checkbox"/>	<input type="checkbox"/>	<input type="checkbox"/>	<input type="checkbox"/>	<input type="checkbox"/>	<input type="checkbox"/>	<input type="checkbox"/>	<input type="checkbox"/>			

ANALOGIC COMMANDS CONTROLLED AT START-UP | COMANDI ANALOGICI CONTROLLATI ALL'ACCENSIONE

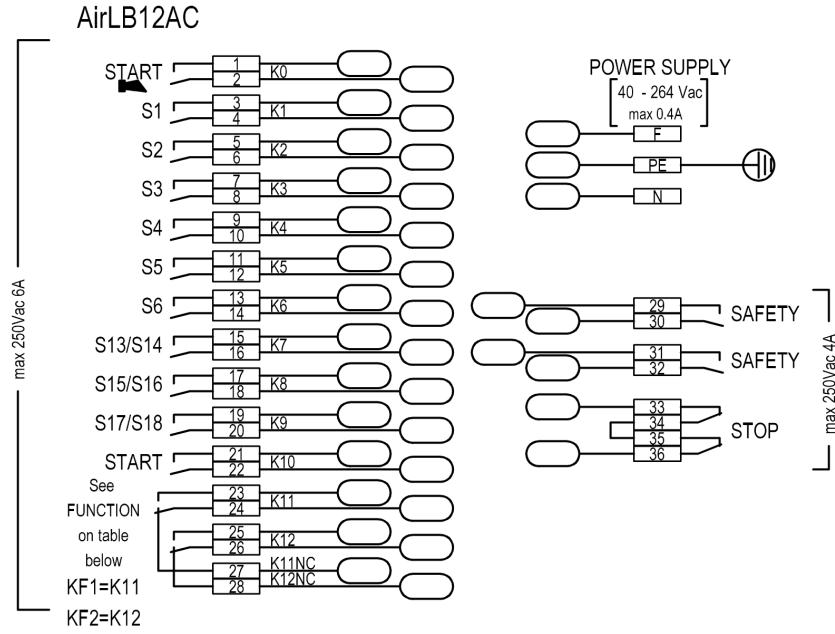
A1	A2	A3	A4	A5	A6
<input checked="" type="checkbox"/>	<input checked="" type="checkbox"/>	<input checked="" type="checkbox"/>	<input checked="" type="checkbox"/>	<input checked="" type="checkbox"/>	<input checked="" type="checkbox"/>

TRANSMITTER MODEL: LKN08

TECHNICAL DATA | DATI TECNICI

Selector 04	M-Key
-------------	-------

FACTORY DEFAULT SETTINGS | IMPOSTAZIONI DI FABBRICA

Switch-OFF	5 min.
PIN start up	Disabled
PIN code 1	START
PIN code 2	S0
PIN code 3	START

RECEIVER
MODEL: RLB


RECEIVER	MODEL: RLB
-----------------	-------------------

TECHNICAL DATA DATI TECNICI

Receiving Unit Power Supply	45-230Vac
Rated current of STOP outputs	4A (250Vac)
Rated current of Safety output	4A (250Vac)
Safety performance of the STOP	up to PL d, cat. 3 / SIL 2
Receiver's connection	Cable gland

FACTORY DEFAULT SETTINGS IMPOSTAZIONI DI FABBRICA
--

S0 (Function)	K11=Enabled, K12 S0 momentary (P1)
Passive stop	350ms

PROGRAMMING FILES FILE DI PROGRAMMAZIONE

Ladder configuration file	LD00002
---------------------------	---------

CUSTOMER VERIFICATION AND APPROVAL

The undersigned Company _____ declares that the technical specifications and operating conditions of the Autec radio remote control described in this data sheet are in accordance with the results of the risk analysis and risk evaluation we have previously carried out on the machine on which the radio remote control will be installed, and to the extent necessary for the proper and safe operation of the machine itself.

VERIFICA E APPROVAZIONE DEL CLIENTE

La Ditta _____ dichiara che le specifiche tecniche e le condizioni di funzionamento del radiocomando Autec, descritte nella presente scheda tecnica, sono conformi ai risultati della analisi e valutazione dei rischi da noi preventivamente effettuata sulla macchina sulla quale il radiocomando sarà installato e a quanto necessario per il suo funzionamento corretto e sicuro.

(Date / Data)

(Stamp / Timbro)

(Signature / Firma)

Date: November 28th, 2018

Prepared by: C. Zanuso