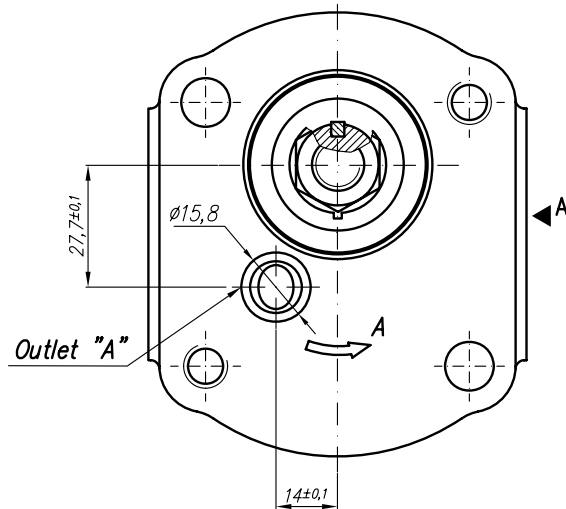
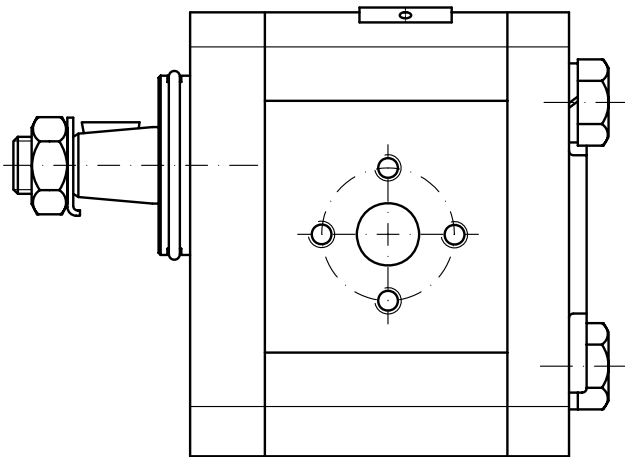


Rotation "A"



| Type | Displacement cm ³ /rev | Flow | | Pressure P _{nom} bar | max Speed n rpm | Dimension | | | | | | | |
|---------------|--------------------------------------|----------------------|---------------------|-------------------------------------|-----------------------|-----------|---------|-------|------|-------|--------|--|--|
| | | at 1500 rpm l/min | at max rpm l/min | | | A mm | B mm | Inlet | | | Outlet | | |
| | | | | | | | | E | F | d | | | |
| 20A(C)4,5X170 | 4,5 | 6,14 | 14,33 | 250 | 3500 | 40,5 | 78 | 30,2 | 13,1 | M6-6H | Ø15,8 | | |
| 20A(C)6,3X170 | 6,3 | 8,69 | 20,29 | 250 | 3500 | 42 | 81 | | | | | | |
| 20A(C)8,2X170 | 8,2 | 11,32 | 26,40 | 250 | 3500 | 43,5 | 83,9 | | | | | | |
| 20A(C)10X170 | 10 | 13,95 | 32,55 | 250 | 3500 | 45 | 87 | | | | | | |
| 20A(C)11X170 | 11,3 | 15,76 | 36,78 | 250 | 3500 | 46 | 89,1 | | | | | | |
| 20A(C)12X170 | 12 | 16,92 | 39,48 | 250 | 3500 | 46,6 | 90,3 | 39,7 | 19 | M8-6H | | | |
| 20A(C)14X170 | 14 | 19,95 | 46,55 | 250 | 3500 | 48 | 93,4 | | | | | | |
| 20A(C)15X170 | 15 | 21,60 | 36,00 | 250 | 2500 | 49 | 94,9 | | | | | | |
| 20A(C)16X170 | 16 | 23,04 | 38,40 | 250 | 2500 | 50 | 96,6 | | | | | | |
| 20A(C)19X170 | 19 | 27,36 | 45,60 | 200 | 2500 | 52 | 101,5 | | | | | | |
| 20A(C)22X170 | 22 | 31,68 | 42,24 | 180 | 2000 | 55 | 106,5 | | | | | | |
| 20A(C)25X170 | 25 | 36,00 | 48,00 | 160 | 2000 | 57,2 | 111,4 | | | | | | |