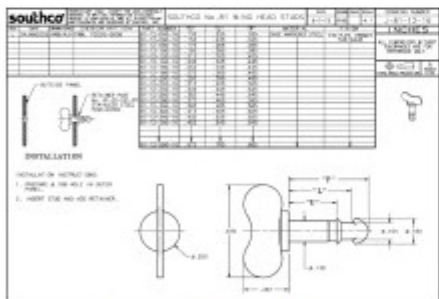


81/82/85 - DZUS® Lion Quarter-Turn Fasteners

Products > Quick Access Fasteners > DZUS® Quarter-Turn Fasteners > DZUS® Turn-To-Close, Turn-To-Open Quarter-Turn Fasteners



[Download trade drawing](#)

Part Number: 85-46-101-41

Specifications

Material	Plastic
Color/Appearance	Black
Size Series	Large Size
Accessory Type	Cup Washer
Type	Accessory



[CAD Download](#)



[Request Samples](#)



[Add to Saved Products](#)



[Product Specs](#)



[Pricing & Availability](#)



[Performance Data](#)

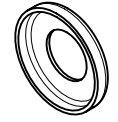
[Available Modifications](#)

[Additional Information](#)

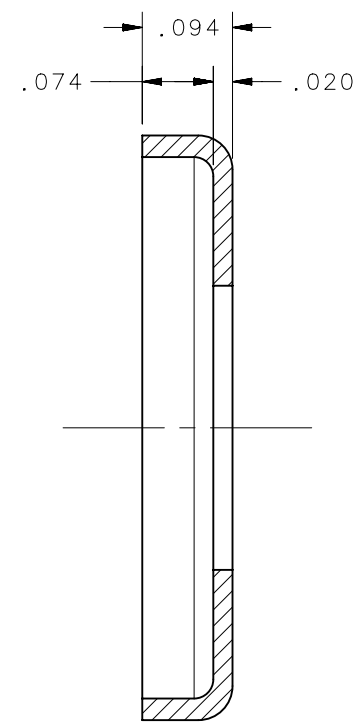
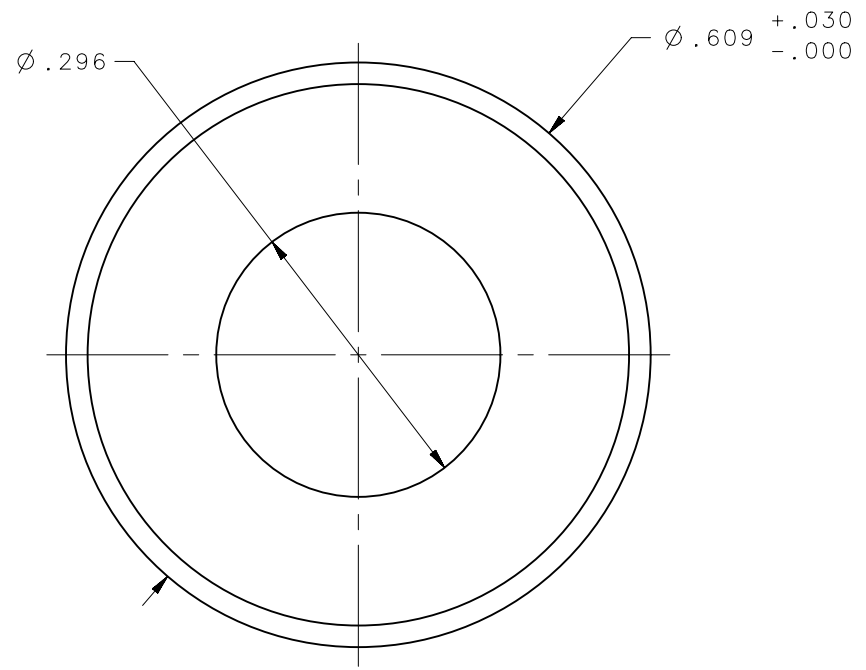
Southco offers modifications to our standard products, explore the possibilities of how Southco can engineer a solution to meet your specific application requirements.

[Learn More](#)

REVISION HISTORY			
REV	DATE	BY	DESCRIPTION
J	13SEP2016	CMS/JW	PRN: P2016-2100



SCALE 1:1



SECTION A-A

85-46-101-41		THERMOPLASTIC	DYED BLACK	
85-46-101-39		THERMOPLASTIC	WHITE	
SOUTHCO PART NUMBER		MATERIAL	FINISH	
THIRD ANGLE PROJECTION		 CONNECT • CREATE • INNOVATE		
INCHES [MM]				
SURFACE AREA		DESCRIPTION		
VOLUME		NO. 85 WEAR WASHER		
PROPRIETARY ITEM <small>EXCEPT FOR USES EXPRESSLY GRANTED IN WRITING, INFORMATION DISCLOSED HEREON IS CONFIDENTIAL AND ALL RIGHTS, PATENT AND OTHERWISE, ARE RESERVED BY SOUTHCO, INC.</small>		SIZE	SYSTEM	DWG NO.
PER ASME Y14.5M-1994		A	NX	J-85-25
		DRAWN BY	DATE	SCALE
		MRT	1-15-59	5:1
				SHEET 1 OF 1