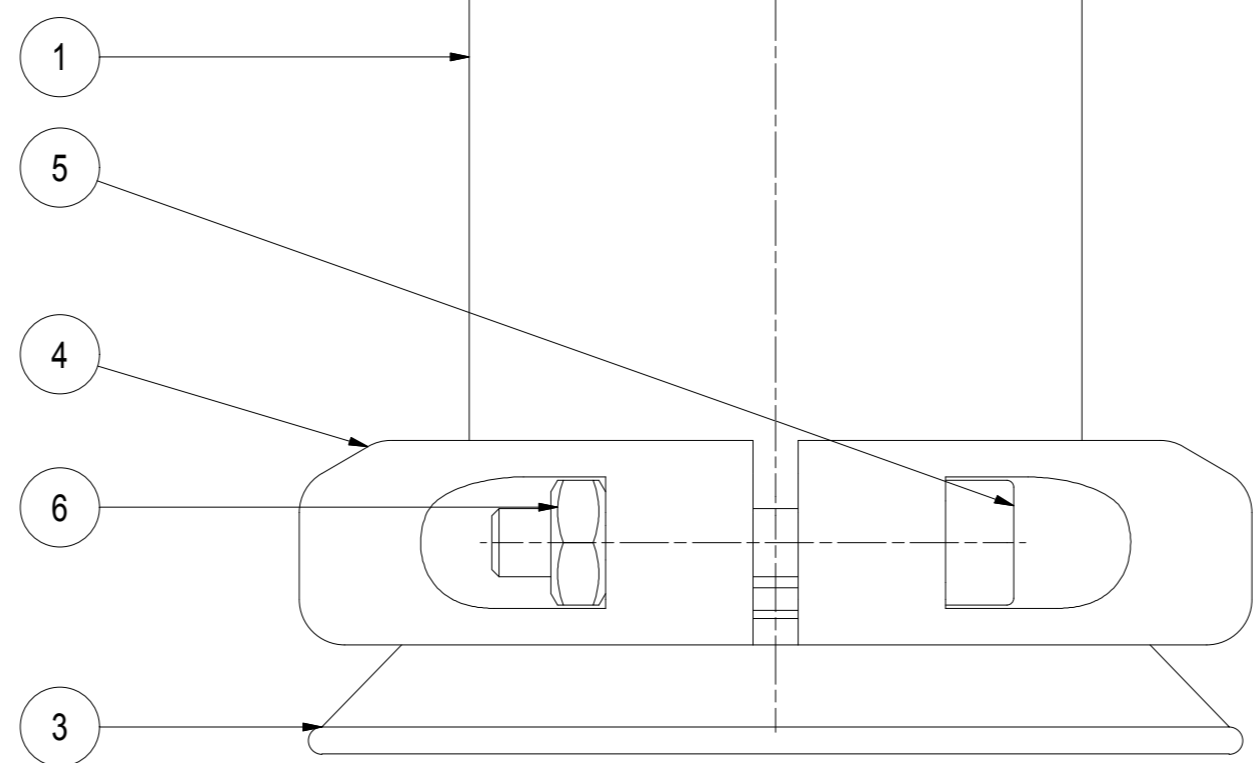
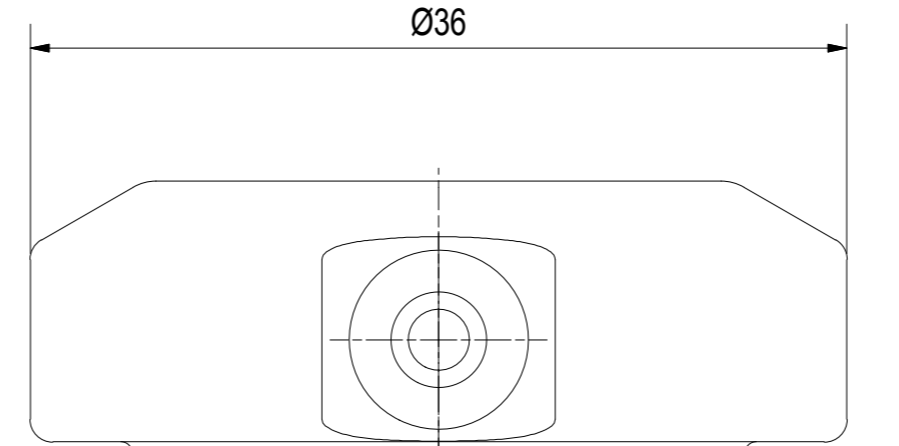
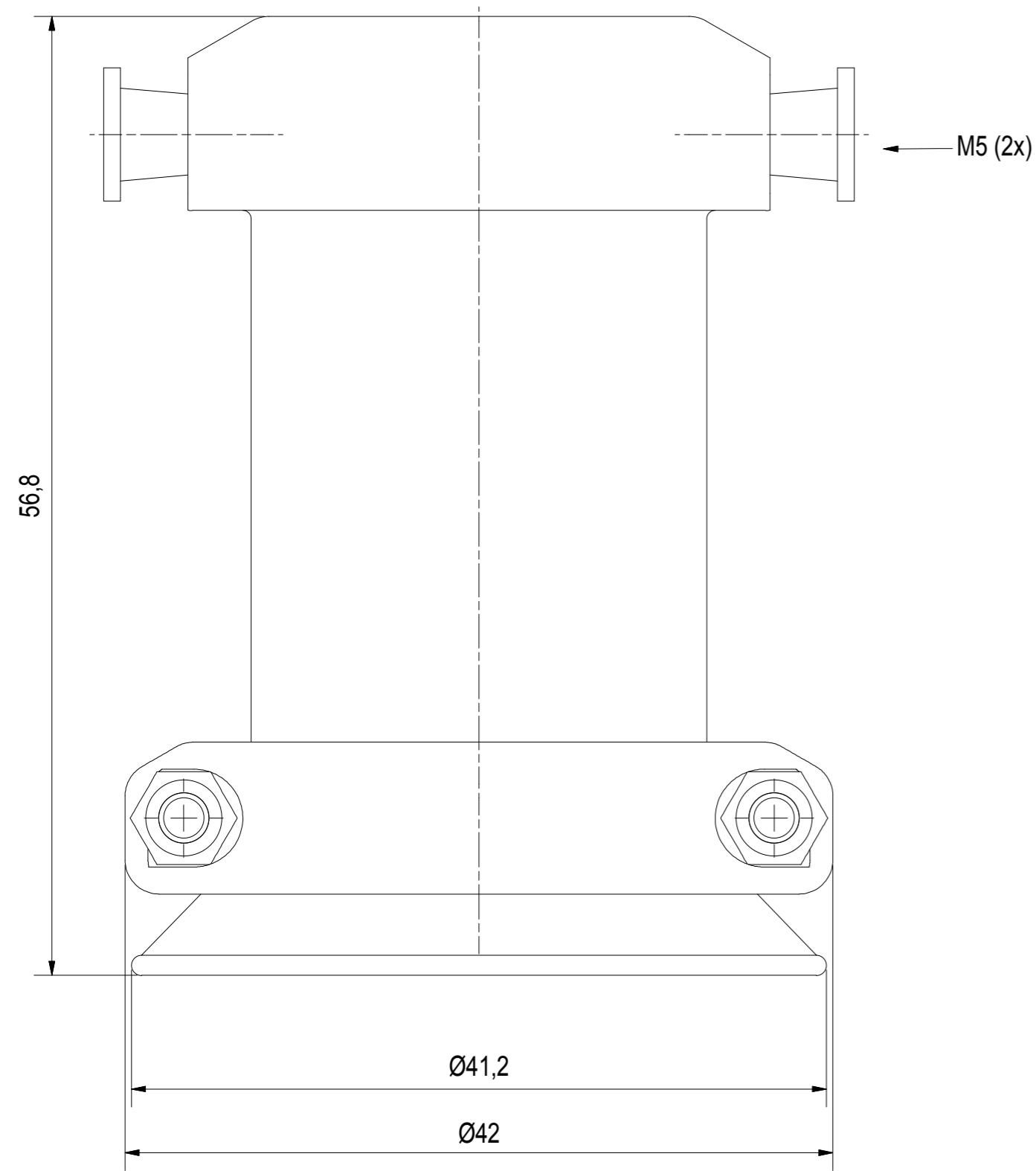
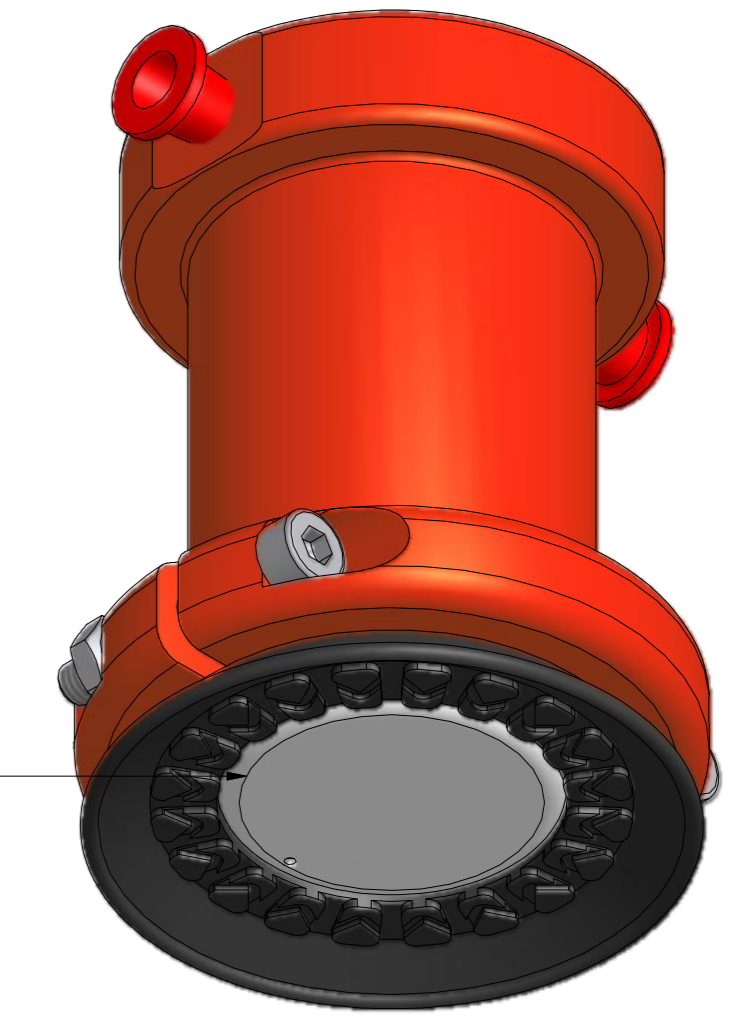
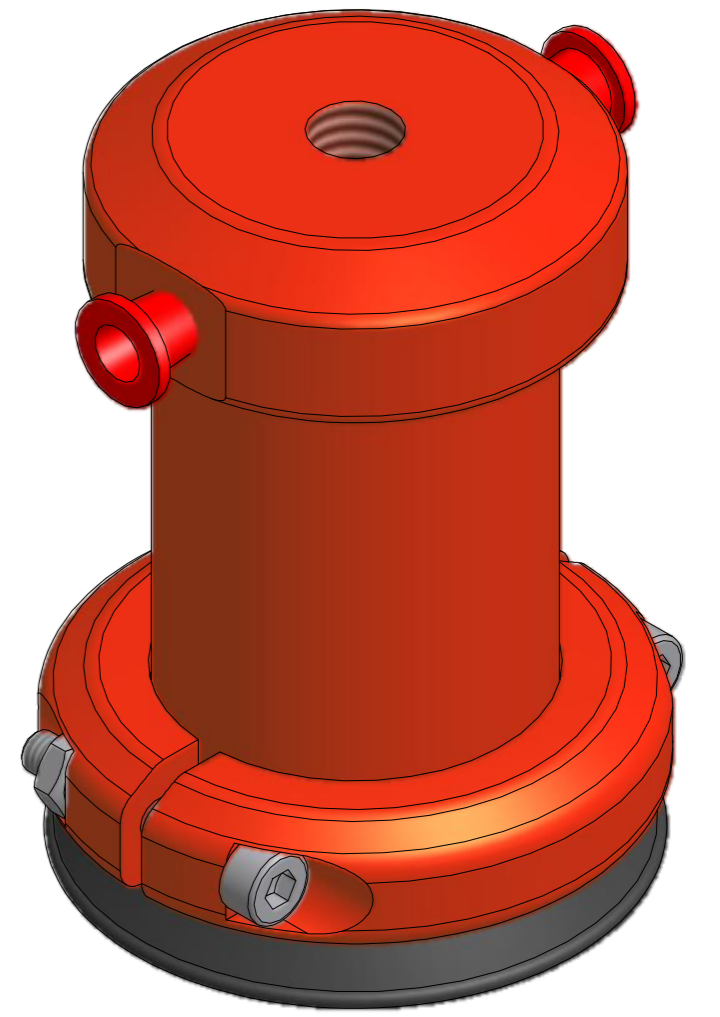
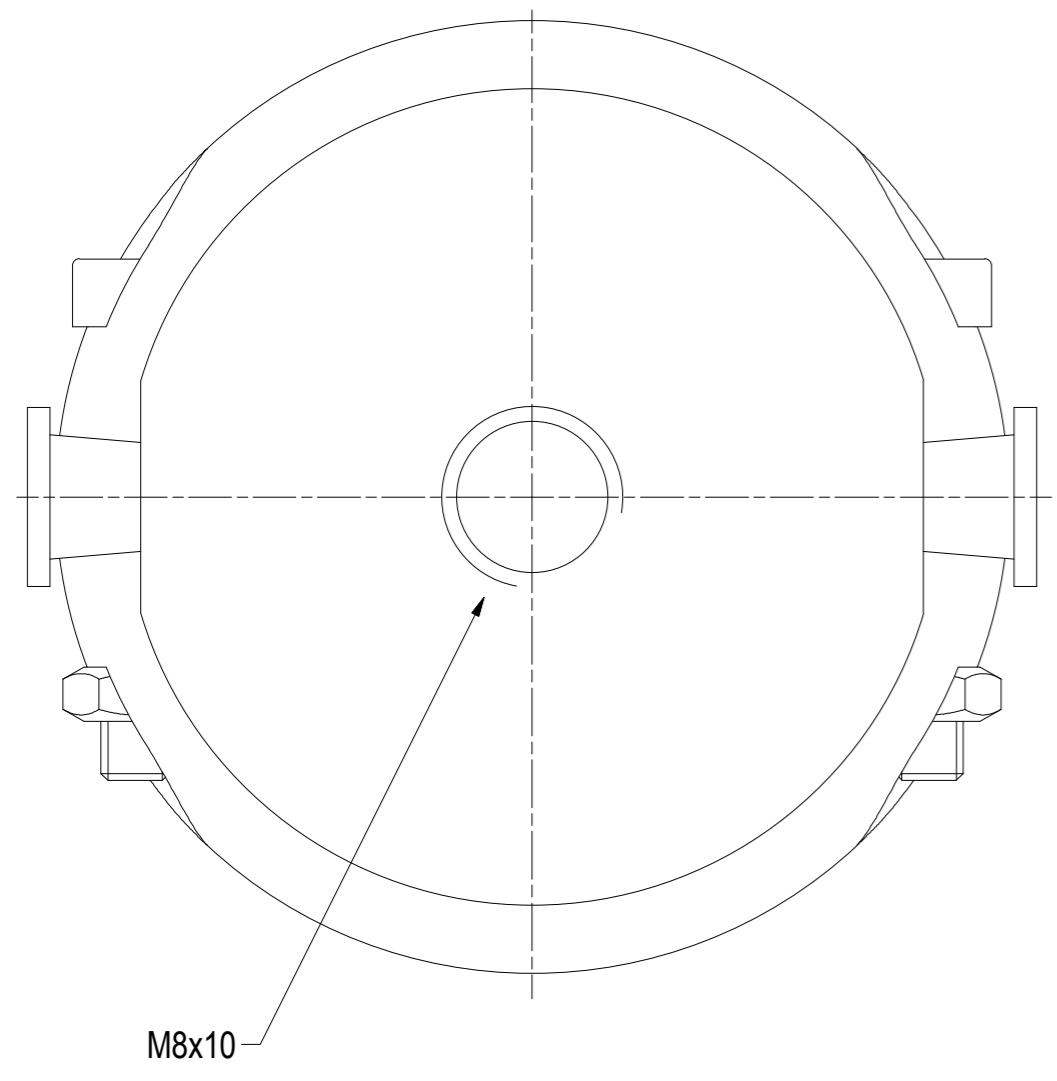


6	DATE	BY	DESCRIPTION
A	10-12-2004	AJ	REFERENCE DRAWING TPMV040024....
B	27-07-2010	PB	DRAWN IN 3D



ITEM	QTY	PART NUMBER	DESCRIPTION	DIMENSIONS
6	2	60.0100003	MOER ZES M03 ST8 EVZ	
5	2	51.0103020	SCHR CIL BZK M03x20 ST. GLVZ	
4	2	M35641	CLEAT TP040	
3	1	M35639	VACUUM PAD DIA 40 / TPMV040	
2	1	M35648	BOTTOM COVER TP040 VACUUM HOLE	
1	1	M35647	ASSY TP--040028	

Scale: 3:1	Sheet: A2	Order: X	Qty: X
Drawn: AJA	Date: 13-12-2004	Unit: st	Length: 0,042 m
			Width: 0,042 m
Group: XHGM	Customer nr:	Height: 0,055 m	Mass: 0.10 kg
Title: GRAB HEAD MAGNET D40x55 REINFORCED NEOFLUX(R) MAGNET SYSTEM			Artnr: TPMV040028
			Rev: B

**GOUDSMIT**  
www.goudsmit-magnetics.nl  
© All rights reserved. Reproduction is not permitted without written permission of GOUDSMIT MAGNETIC SYSTEMS BV  
General Tolerance: ISO2768- cL  
Drawn Acc.: ISO268 ISO1101 ISO2553

Printed by

F