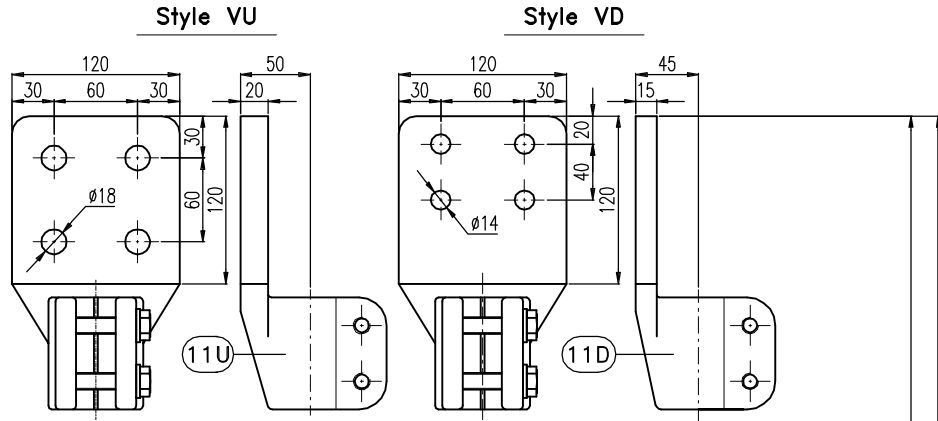


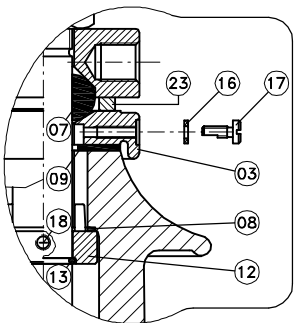
FILE = 3806.DWG
 LMT [(0,0) (196,296)] A4 (210x297)
 REV. 03 DTD 18/07/2014
 La CEDASPE S.p.A. si riserva a termini di legge la proprietà del presente disegno con divieto di riproduzione o comunicazione a terzi senza sua autorizzazione.



CANTILEVER OPERATING LOAD

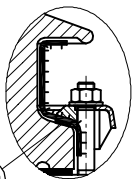
- VERTICAL: 1575 N
- INCLINED 30°: 945 N
- OPERATING TEST LOAD: 3150 N

Style F0



View "A"

View "C"



30F/3150 upon request can be supplied with metalization (30F/3150.M)

Size "b" as old DIN 42533

New CEDASPE "2009 series" Size C0=35mm+"b"DIN 42533

NEW EXTRA LENGTH

Bushing Acc. to IEC 60137 ed. 6.0

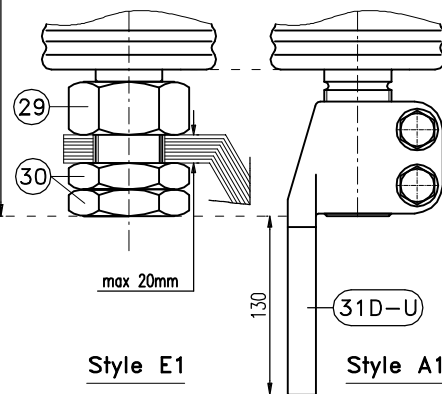
Style C0

Tightening torque 150Nm

Tightening torque 25Nm

n' 6 fixing studs steel M12x70 (not supplied with the kit) Bolt circle 200 mm

Pos.	Description
1	Porcelain
2	Copper rod
3	Brass cap "E"
4	Brass top washer "F"
7	NBR ring gasket "J"
8	Gasket "O"
9	NBR gasket "M"
10	NBR Flange gasket "N"
11D	Brass flag Esec. DIN
11U	Brass flag Esec. UNEL
12	Brass ring "P"
13	Copper ring "S"
14	Brass nut M48 DIN 934
16	Fiber gasket
17	Vent/screw "R"
18	Locking screw
23	Bronze contact ring "U"
24	Aluminium fixing ring "D" DIN 42538 (AISI304)
25	Aluminium clamping piece "F" DIN 42538
26	Nuts M12 DIN934 (AISI304)
27	Washer ø13 (AISI304)
28	Fixing stud M12x70 (not supplied)
29	Brass nut M48 DIN934
30	Brass locknut M48 DIN936
31D-U	Brass flag Esec. DIN or UNEL
32	Center ring
39	Copper spacer ring



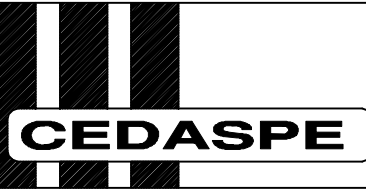
Style E1

Style A1

Bushing	Voltage kV	Current A	Creepage distance mm	PF 1' kV	BIL kV	a mm	C0 mm	d4 mm	e mm	E2 mm	h mm	L1 mm	Z n° of sheds	G.W. Kg	Rod LT mm
10F/3150	12	3150	290	30	75	560	203	190	239	86	422	763	2	29	625
20F/3150	24		440	55	125	635	213	210	314	96	497	848	3	33	710
30F/3150	36		680	77	170	740	243	230	419	121	602	983	4	39	845
30F/3150.M			585*												

NOTE *: Reduced CD for porcelain with metalization

THE FIGURE SHOWS THE BUSHING 20/3150 (1:5 SCALE)



Titolo **OUTDOOR TRANSFORMER BUSHING**
DIN 42533 (UNEL 38174/74)
RATED CURRENT 3150A
VOLTAGE 12 TO 36kV

Data **11/03/13**
 Scala **1:5**
 Dis.
 Visto

Dis. Nr
3806
 1 2 3