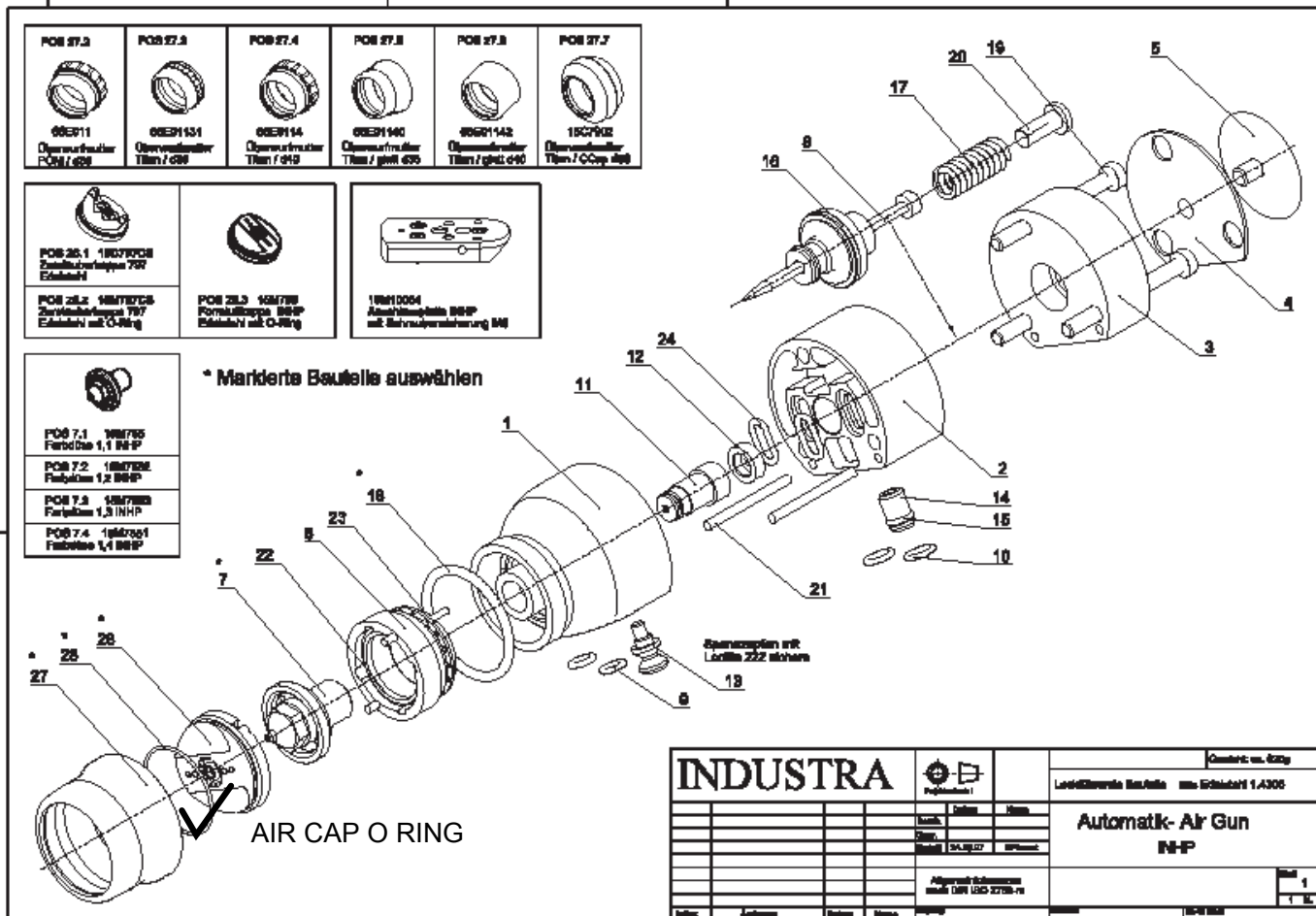


1.03 Overview of the automatic gun with attachment parts



1. Head INHP 1/4
2. Head mount INHP
3. End plate INHP
4. Cover INHP
5. Locking screw INHP
6. Air distribution ring INHP
7. Paint nozzle INHP*
 - 7.1 Paint nozzle 1.1 INHP
 - 7.2 Paint nozzle 1.2 INHP
 - 7.3 Paint nozzle 1.3 INHP
 - 7.4 Paint nozzle 1.4 INHP
8. Valve needle INHP
9. O-ring 5.28 x 1.78
10. O-ring 6.75 x 1.78
11. Needle packing gasket
12. Grease reservoir