

# HORIZONTAL CENTRIFUGAL PUMPS

## MB 130

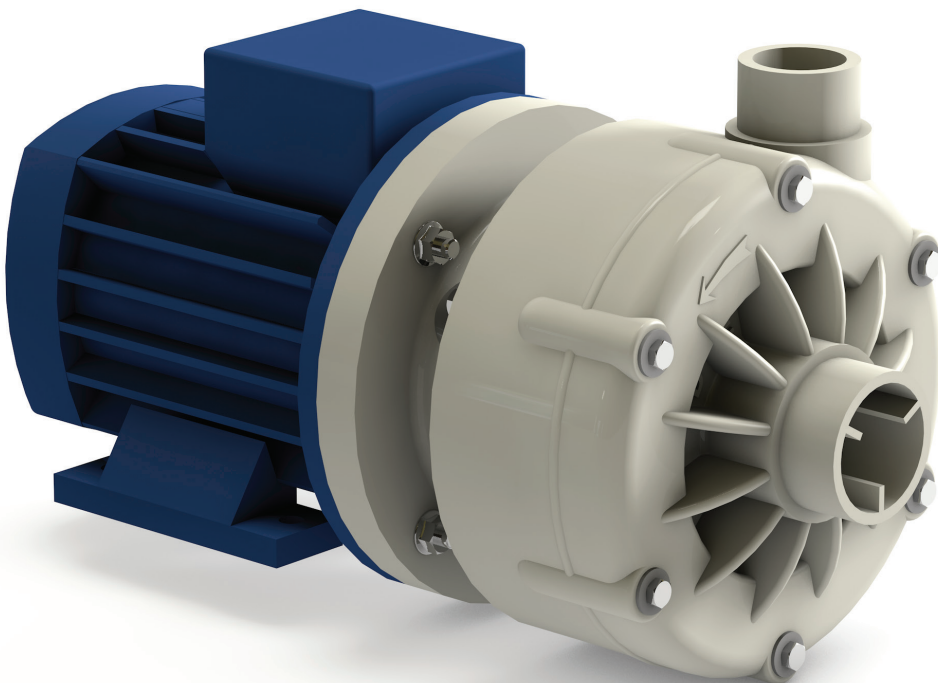
MADE IN ITALY



- **Made in Italy product**
- Available in PP-PVDF
- Below head use
- No welded seams
- Seal: available with mechanical bellow seal (316 STAINLESS STEEL spring - SILICON CARBIDE + CERAMIC / SILICON CARBIDE + SILICON CARBIDE sealing ring) or with lip seal (Viton® or EPDM)
- Operation also possible with heavily soiled fluids, with solids in suspension
- Max. flow rate 30 m<sup>3</sup>/h
- Max. head 20 m
- Open impeller Ø 130 mm x H 8 mm (Standard impeller, for any special design with reference to the pumped fluid contact DEBEM's technical support)
- Extremely easy maintenance
- Low cost of spare parts
- Viscosity up to 500 cps
- OPERATING TEMPERATURES:  
PP min. +3°C / max. +65°C  
PVDF min. +3°C / max. +95°C
- Continuous operation: YES
- Warranty: 1 year, according to our general conditions of sale
- Spare parts: to identify the spare parts check the illustrations at the end of the operation and maintenance manual

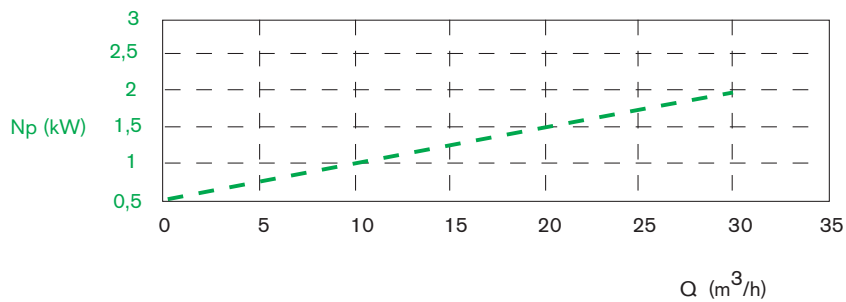
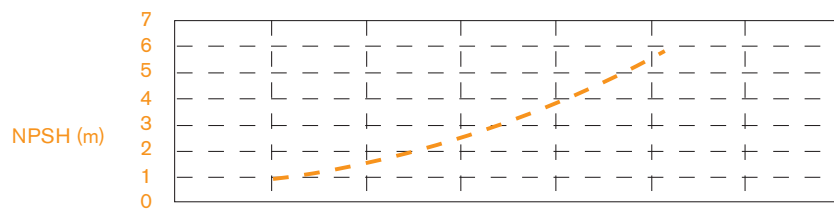
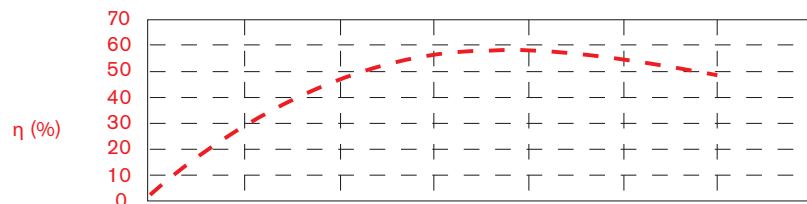
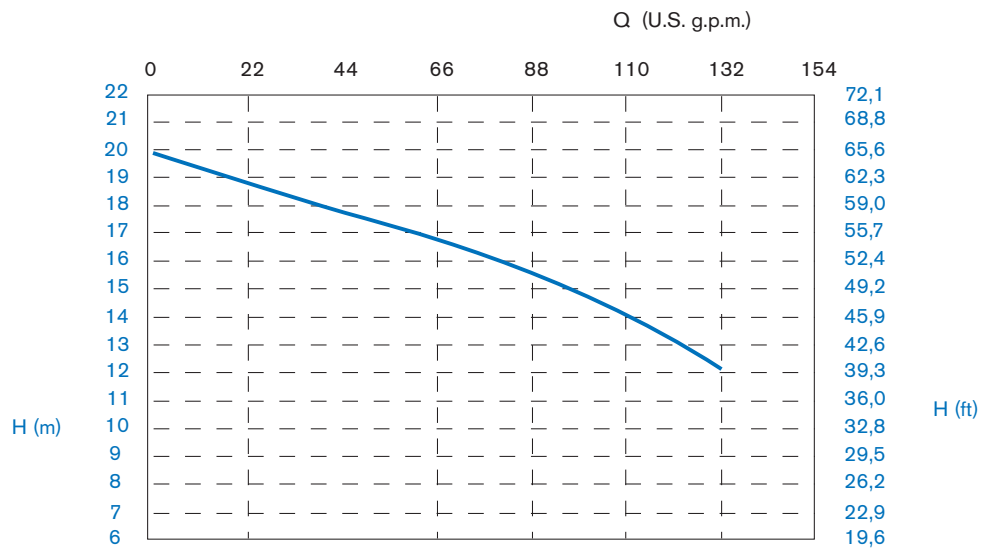
MODEL	Kw MOTOR	HP	MOTOR SIZE	RPM	MOTOR SPECIFICATIONS
MB130	2,2	3	B3+B5	2900	TRIFASE 230/400 V - 50/60 HZ - 2 POLES (single phase motor available) efficiency class IE3 protection rating IP55 - Ambient temperature -30°C + 45° C / ATEX motor available

ATTENTION: technical data for standard motor, for any special design with reference to the pumped fluid contact DEBEM's technical support.



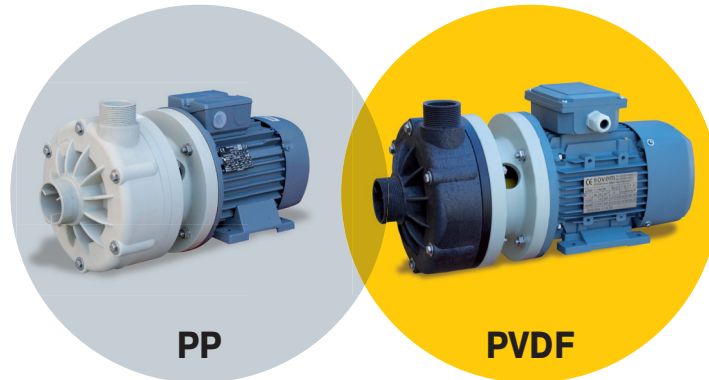
**Intake connections** G 2" m (or DN 50 on request)  
**Delivery connections** G 1" 1/2 m (or DN 40 on request)  
**Max. flow rate** 30 m<sup>3</sup>/h  
**Max. head** 20 m  
**Construction materials** PP - PVDF



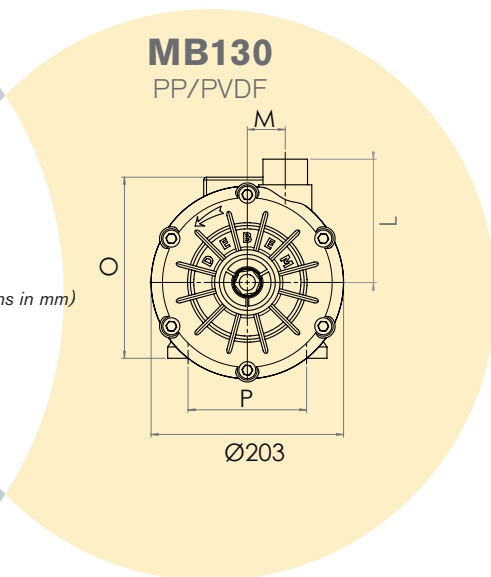
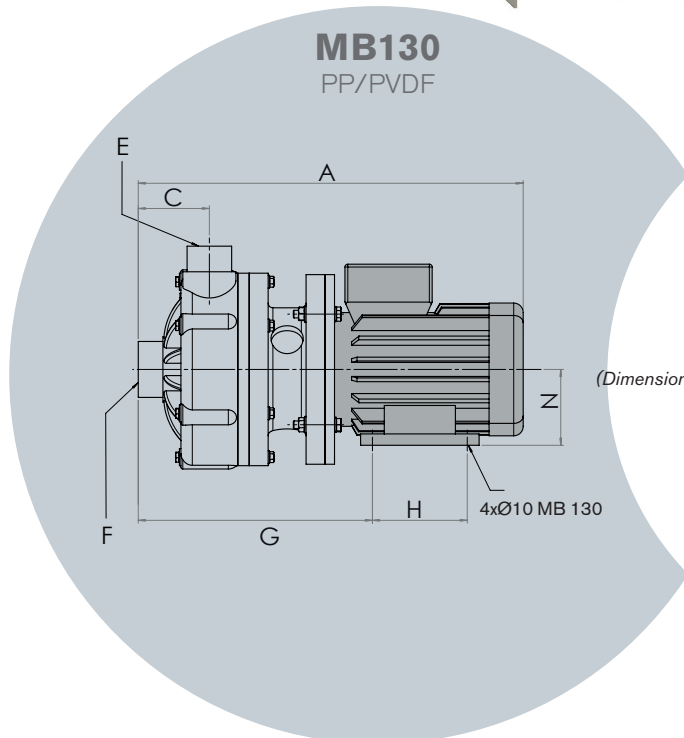
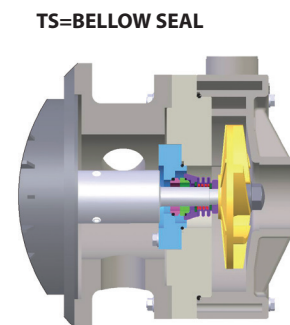
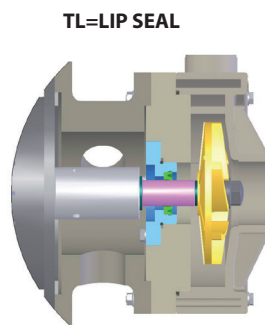
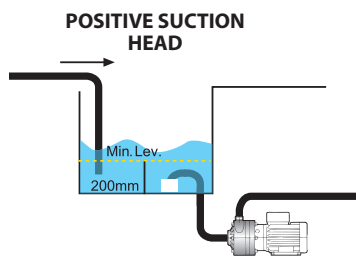


The curves and performance are referred to pumps with free delivery outlet , with water at 20°C and 2 pole motor

## AVAILABLE MATERIALS



## INSTALLATIONS



(Dimensions in mm)

**Packaging:** wooden crate - 61 x 29 x 41 cm - weight 12 Kg  
(the weight only refers to the packaging without the pump inside).

MODEL	SEAL	POWER	Ø PASSING SOLIDS	A	C	E	F	G	H	L	M	N	O	P	KG PP	KG PVDF
MB130	TL-TS	2.2 Kw 3 HP	6	448	75	G 1" 1/2 m o DN 40	G 2" m o DN 50	257	125	130	40	90	210	140	22,5	23,5

# HORIZONTAL CENTRIFUGAL PUMPS

# MB 130



## MB COMPOSITION CODE

ex. **MB130--P-TLVN**

MB 130 PP, Viton® lip seal, three-phase motor

MB130	P	TLV	N
PUMP MODEL	PUMP MATERIAL	TYPE OF SEAL	MOTOR
<b>MB130</b> - MB 130	<b>P</b> - Polypropylene <b>FC</b> - PVDF+CF	<b>TLV</b> - Viton® lip seal <b>TLD</b> - EPDM lip seal <b>TSV</b> - Viton® bellow seal <b>TSD</b> - EPDM bellow seal	<b>N*</b> - Three-phase motor <b>M</b> - Single-phase motor <b>A</b> - ATEX motor

\* Standard motor is the three-phase induction type with European voltage (2-pole) 50Hz

## APPLICATIONS

