

XSUS Single Reduction Model

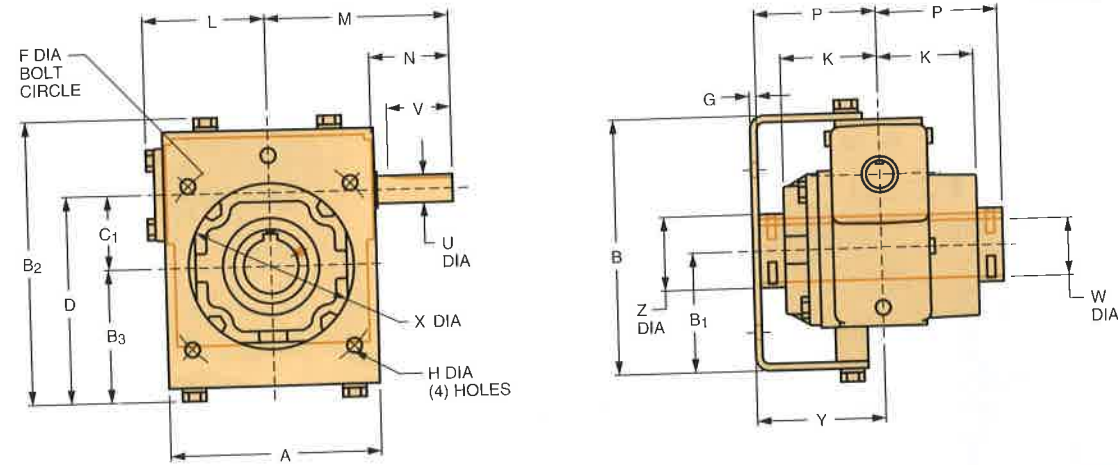
MODEL	SHIPPING WEIGHTS (lb.) ♦						
	E17	E20	E24	E26	E30	E35	E43
XSUS	27	33	49	55	71	97	187
MSUS	29	36	53	59	78	101	196
CSUS	36	41	62	68	90	104	205

All motorized weights are for 48C to 140TC adaptor sizes. Add 10% for 180TC/210TC adaptor sizes.
 ♦ Weights are approximate and include shipping carton.

XSUS
 "U" Flange
 Solid Input Shaft
 Hollow Output Shaft
 Bracket Mount



DIMENSIONS



SPEED REDUCER DIMENSIONS (in.)

Size	A	B	B ₁	B ₂	B ₃	C ₁	D	E	G	H	K	L	M	P	X	Y	Z	INPUT SHAFT			
																		U*	N	V	KEYWAY
E17	4.81	6.25	2.81	7.02	3.20	1.750	4.95	5.875	.19	.344	2.44	3.44	4.75	3.13	4.06	3.50	1.49	.750	1.94	1.69	3/16x3/32
E20	5.75	6.94	3.25	7.71	3.64	2.000	5.64	6.500	.19	.406	2.63	3.44	5.00	3.31	4.50	3.50	2.00	.750	2.19	1.75	3/16x3/32
E24	6.13	8.00	3.44	9.03	3.96	2.375	6.34	7.500	.19	.406	2.75	4.50	6.50	3.44	5.00	3.69	2.25	1.000	2.75	2.38	1/4x1/8
E26	7.19	8.63	3.63	9.66	4.14	2.625	6.77	8.000	.25	.406	2.81	4.50	6.50	3.50	6.00	3.82	2.50	1.000	2.75	2.38	1/4x1/8
E30	8.50	10.19	4.44	11.22	4.95	3.000	7.95	9.250	.25	.563	3.00	4.63	7.00	3.69	7.00	5.00	2.63	1.000	3.06	2.38	1/4x1/8
E35	8.50	11.00	4.63	12.27	5.26	3.500	8.76	10.000	.25	.563	3.38	5.061	7.38	4.13	7.00	5.06	2.87	1.000	2.31	2.50	1/4x1/8
E43	10.00	13.00	5.50	14.27	6.13	4.250	10.38	11.500	.38	.688	3.63	5.881	8.19	4.38	8.00	5.75	3.88	1.250	2.31	2.50	1/4x1/8

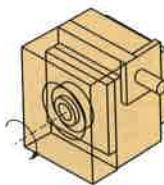
* Shaft diameter tolerances +.000 - .001 Dimensions shown are for construction purposes only.
 † L dimension equals 5.46 on E35 MSUS model ‡ L dimension equals 6.28 on E43 MSUS model
 Please contact Winsmith for certified dimension sheets.

HOLLOW OUTPUT SHAFT BORES

W**	KEYWAY	E17	E20	E24	E26	E30	E35	E43
.625	5/8	3/16x3/32	M/B					
.750	3/4	3/16x3/32	M/B	B				
.875	7/8	3/16x3/32	S	B				
1.000	1	1/4x1/8	S	M/B	M/B	B		
1.125	1-1/8	1/4x1/8		B	M/B	B		
1.188	1-3/16	1/4x1/8		M/B	B	B		
1.250	1-1/4	1/4x1/8		M/B	M/B	B	M/B	
1.375	1-3/8	5/16x5/32		M/B	M/B	B	M/B	
1.438	1-7/16	3/8x3/16	S	M/B	B	B	M/B	B
1.500	1-1/2	3/8x3/16		S	M/B	M/B	M/B	B
1.625	1-5/8	3/8x3/16			S	M/B	S	S
1.688	1-11/16	3/8x3/16				B	B	B
1.750	1-3/4	3/8x3/16				S	S	B
1.875	1-7/8	1/2x1/4				S	M/B	M/B
*1.938	1-15/16	1/2x1/4					M/B	S
2.000	2	1/2x1/4					S	M/B
*2.188	2-3/16	1/2x1/4						B
2.250	2-1/4	1/2x1/4						M/B
2.438	2-7/16	5/8x5/16						B
2.500	2-1/2	5/8x5/16						S
2.750	2-3/4	5/8x5/16						S

** Bore tolerances +.000 +.002 Two puller slots opposed on all hollow output shafts
 * Bore size 1.438 on size E20; keyway is 3/8x1/8. * Bore size 1.938 on size E30; keyway is 1/2x3/16
 † Bore size 2.188 on size E35; keyway is 1/2x1/8. Contact Winsmith for other bore sizes

AVAILABLE SHAFT ARRANGEMENTS AND RELATIVE SHAFT ROTATIONS



ASSEMBLY DL

The input shaft may be driven in either direction.

MSUS - CSUS Single Reduction Models

MSUS
 "U" Flange
 Quill Input Adaptor
 Hollow Output Shaft
 Bracket Mount

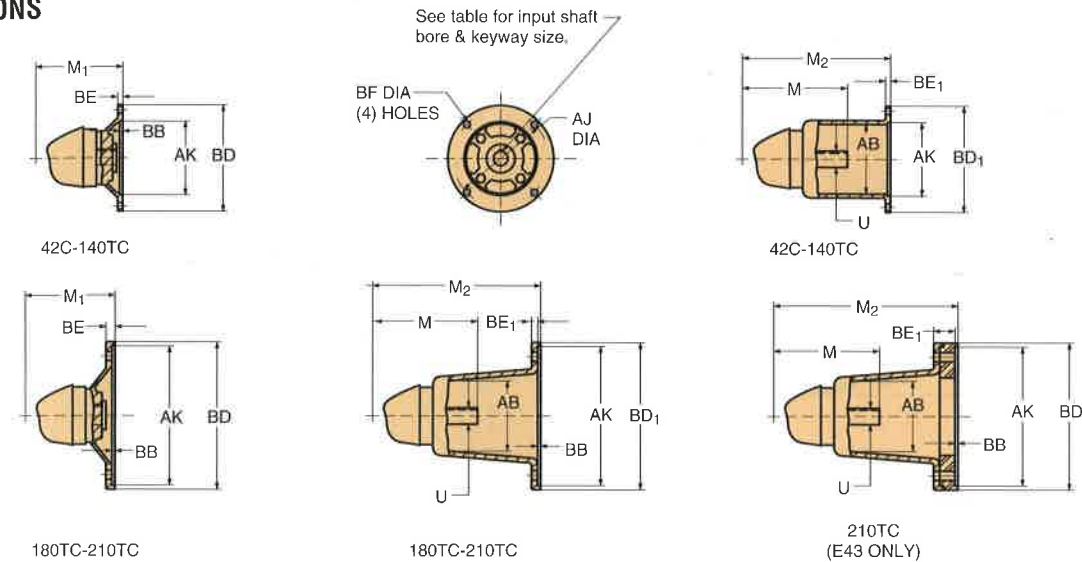


CSUS
 "U" Flange
 Coupled Input Adaptor
 Hollow Output Shaft
 Bracket Mount



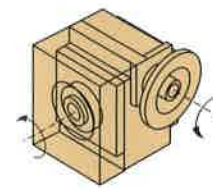
Couplings available, see page 106 for selection chart.

DIMENSIONS



Size	QUILL INPUT ADAPTOR				COUPLED INPUT ADAPTOR														
	M ₁ 42C-48C	M ₁ 56C-140TC	M ₁ 180TC	M ₁ 210TC	42C-48C			56C-140TC			180TC			210TC		M	U	KEYWAY	
					AB	M ₂	BE ₁	AB	M ₂	BE ₁	AB	M ₂	BE ₁	AB	M ₂				BE ₁
E17	4.06	4.06	NA	NA	2.50	7.56	.38	3.75	7.50	.38	3.75	8.44	.50	NA	NA	4.75	.750	3/16x3/32	
E20	4.06	4.06	NA	NA	2.50	7.56	.38	3.75	7.50	.38	3.75	8.44	.50	NA	NA	5.00	.750	3/16x3/32	
E24	NA	5.38	5.38	NA	NA	NA	NA	4.13	9.13	.38	4.25	10.19	.50	NA	NA	6.50	1.000	3/16x3/32	
E26	NA	5.38	5.38	NA	NA	NA	NA	4.13	9.13	.38	4.25	10.19	.50	NA	NA	6.50	1.000	1/4x1/8	
E30	NA	5.56	5.56	NA	NA	NA	NA	4.13	9.75	.38	4.75	10.88	.50	4.75	10.88	.50	7.00	1.000	1/4x1/8
E35	NA	5.81	5.81	NA	NA	NA	NA	4.13	10.00	.38	4.75	11.13	.50	4.75	11.13	.50	7.38	1.000	1/4x1/8
E43	NA	6.63	6.63	6.63	NA	NA	NA	4.13	10.81	.38	4.75	11.94	.50	4.75	12.88	1.44	8.19	1.250	1/4x1/8

AVAILABLE SHAFT ARRANGEMENTS AND RELATIVE SHAFT ROTATIONS



ASSEMBLY DL

The input shaft may be driven in either direction.

DL also available

INPUT ADAPT. DIM.	42C 48C	56C	140TC	180TC	210TC
AJ	3.75	5.88	5.88	7.25	7.25
AK	3.00	4.50	4.50	8.50	8.50
BB	.19	.19	.19	.19	.19
BD	4.50	6.50	6.50	9.00	9.00
BD ₁	4.50	6.63	6.63	9.00	9.00
BE	.34	.31	.31	.38	.38
BF	.281	.406	.406	.531	.531
KEYWAY	1/8x1/16	3/16x3/32		1/4x1/8	5/16x5/32
BORE +.001 -.000	5005*	6255	.8755	1.1255	1.3755

*42C adaptor has .3755 bore, 3/32 x 3/64 keyway