





IP67

WA  
22


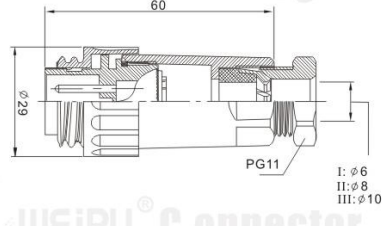




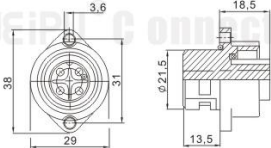

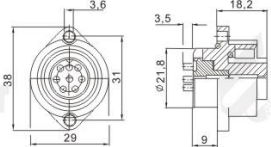

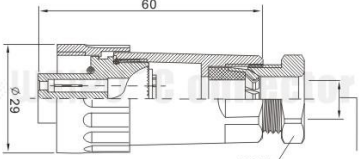



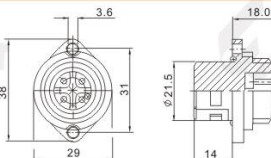

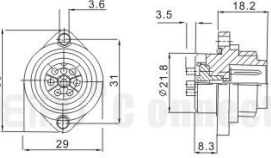

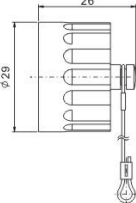

● **WA22 Series IP67**  
**Material and spec**

spec		
Number of contact	3+PE	6+PE
Termination	Screw	Solder
Wire size	Max2. 5mm <sup>2</sup> /AWG14	Max0. 75mm <sup>2</sup> /AWG18
Rated voltage (V)	400V	250V
Rated current(A)	16A	10A
Contact diameter	∅1.5X4	∅2X7
Shell material	Nylon66, fire resistance : V-0	
Contact material	Brass with gold plating	
Cable outlet diameter	6, 8, 10mm	
IP rating	IP67	
Mating cycle	>500	
Temperature range	-25℃ ~ +85℃	
Insulation resistance MΩ	2000	
Test voltage(AC.V)1 min	2000V	
Contact resistance mΩ	2.5	



● **WA 22**

Part number	Description	Drawing
 WA22J4TE2	WA 22 male cable connector 3+PE, screw termination	
 WA22J7TE1	WA 22 male cable connector 6+PE, solder termination	

Part number	Description	Drawing
 WA22K4Z2	WA 22 female panel connector 3+PE, screw termination	
 WA22K7Z1	WA 22 female panel connector 6+PE, solder termination	
 WA22K4ZE2	WA 22 female cable connector 3+PE, screw termination	
 WA22K7ZE1	WA 22 female cable connector 6+PE, solder termination	
 WA22J4Z2	WA 22 male panel connector 3+PE, screw termination	
 WA22J7Z1	WA 22 male panel connector 6+PE, solder termination	
 WA22G1	Cap	
 WA22G2	Cap	