



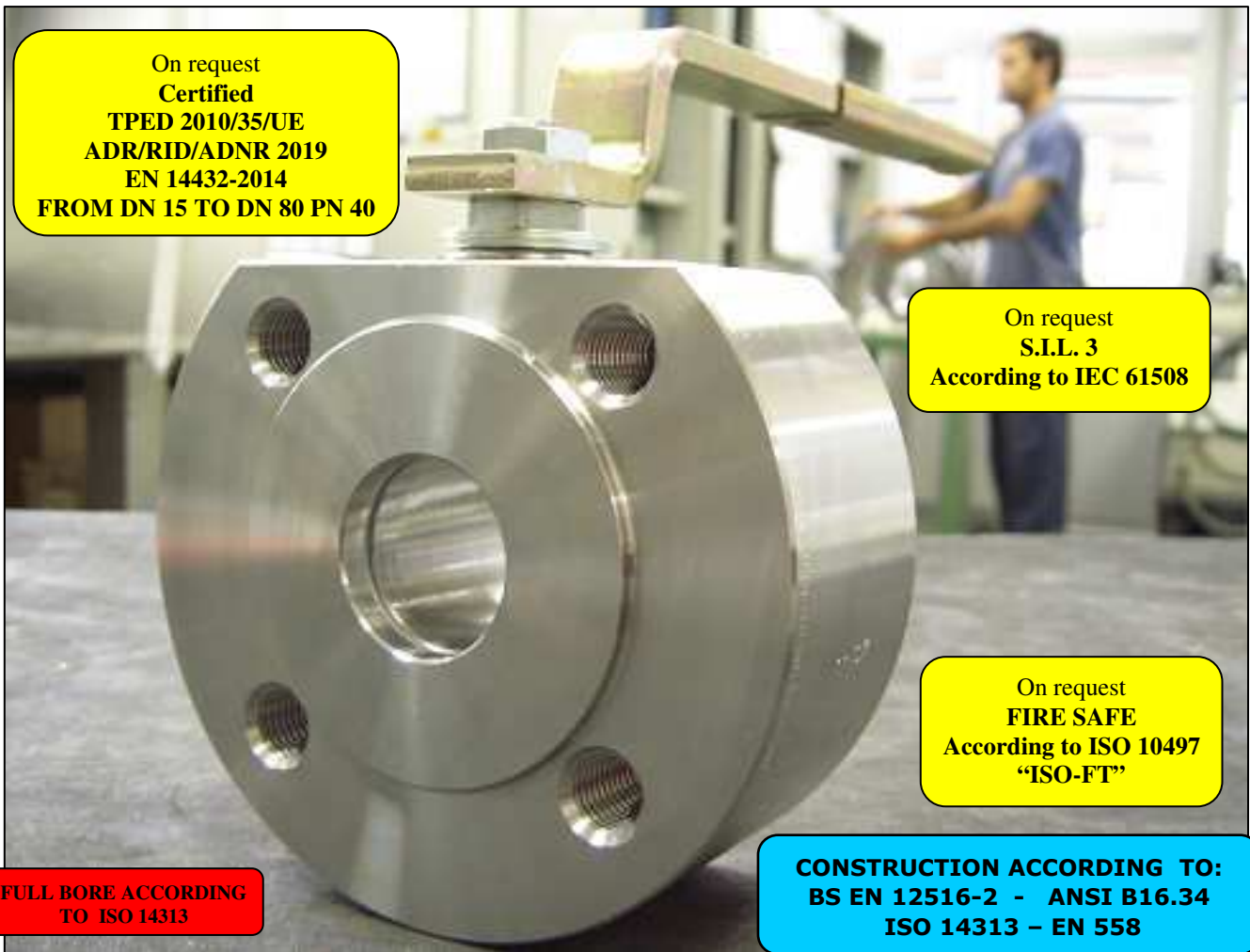
ISO 9001:2015 by L.R.  
PED DIR. 2014/68/UE by L.R.  
ATEX DIR. 2014/34/UE by B.V.  
FIRE SAFE EXECUTION by L.R.  
ISO 15848 by TÜV  
ANTISTATIC DEVICE by L.R.  
FIRE SAFE TESTED ISO 10497 by L.R.  
EAC CERTIFICATION by B.V.

TYPE  
**FA1**  
PN 10 ÷ 40  
ANSI 150 ÷ 300

NORME E DIRETTIVE APPLICATE DISPONIBILI AL SEGUENTE LINK:  
STANDARD AND DIRECTIVE APPLIED AVAILABLE AT FOLLOWING LINK:  
[http://www.adlerspa.com/pdf/NORME\\_ADLER.pdf](http://www.adlerspa.com/pdf/NORME_ADLER.pdf)

## VALVOLE A SFERA "CORPO PIATTO" PASSAGGIO TOTALE

ISO nbr° LRC 0160281 QSM issued by L.R.Q.A. PED nbr° COV 0212112/01 issued by L.R.V.  
ATEX nbr° 40.2003.4392 issued by B.V. ISO 15848 nbr° I-148466/1-/2 issued by TÜV



On request  
Certified  
TPED 2010/35/UE  
ADR/RID/ADNR 2019  
EN 14432-2014  
FROM DN 15 TO DN 80 PN 40

On request  
S.I.L. 3  
According to IEC 61508

On request  
FIRE SAFE  
According to ISO 10497  
"ISO-FT"

FULL BORE ACCORDING  
TO ISO 14313

CONSTRUCTION ACCORDING TO:  
BS EN 12516-2 - ANSI B16.34  
ISO 14313 - EN 558

**BALL VALVES "WAFER TYPE" FULL BORE  
ROBINETS A BOISSEAU SPHERIQUE  
"WAFER" PASSAGE INTEGRAL  
FLANSCHKUGELHÄHNE IN "KOMPAKTBAUWEISE"  
VOLLER DURCHGANG**

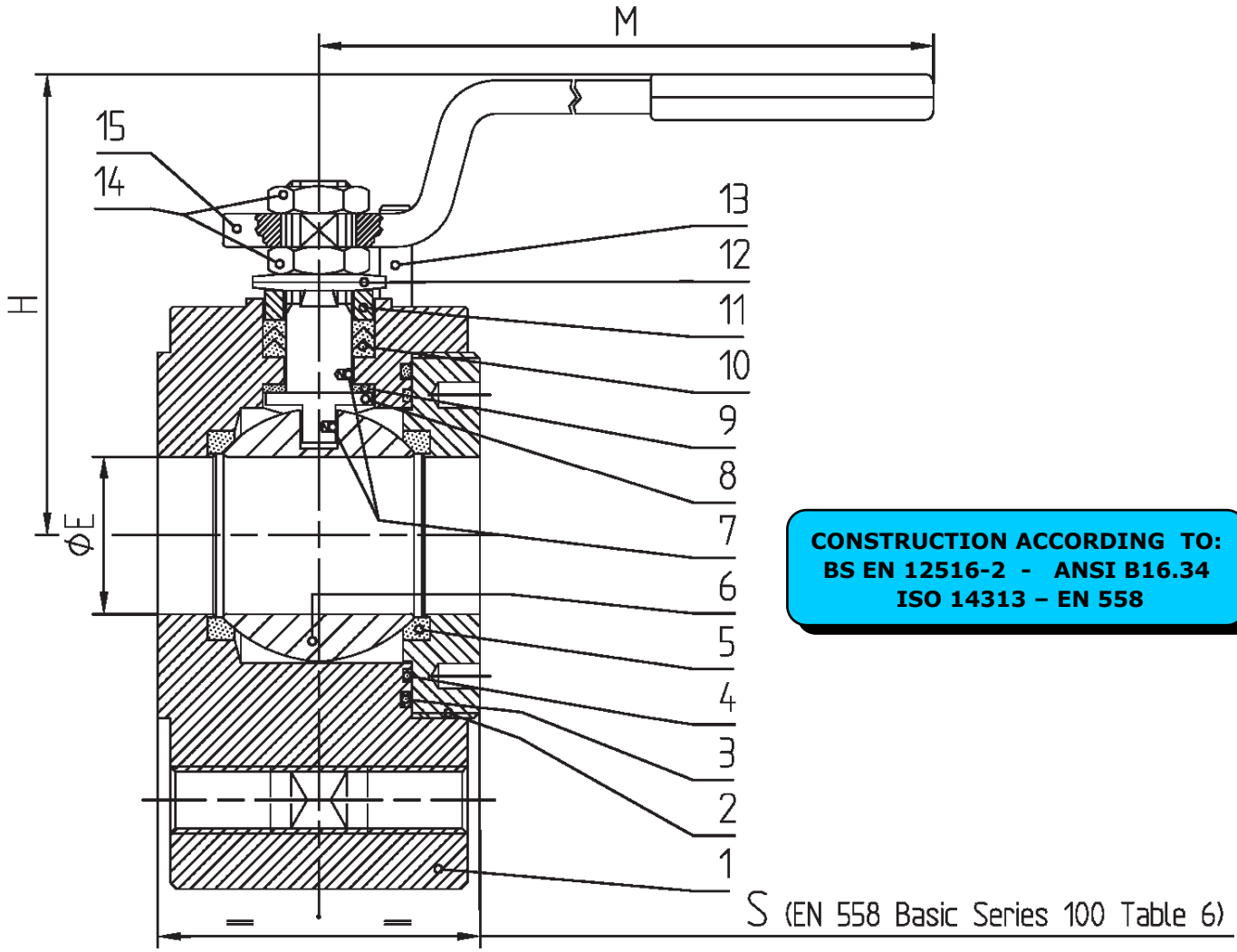
WEB SITE: [WWW.ADLERSPA.COM](http://WWW.ADLERSPA.COM)



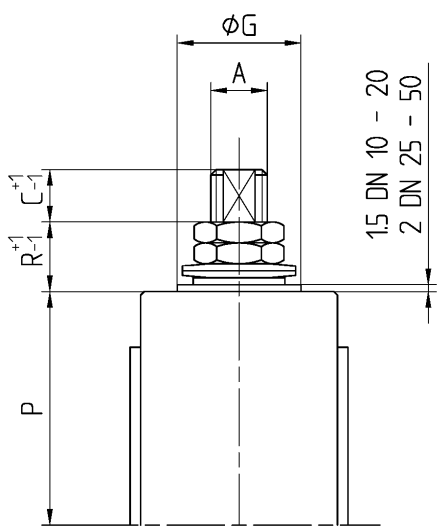
ISO 9001:2015 by L.R.  
 PED DIR. 2014/68/UE by L.R.  
 ATEX DIR. 2014/34/UE by B.V.  
 FIRE SAFE EXECUTION by L.R.  
 ISO 15848 by TÜV  
 ANTISTATIC DEVICE by L.R.  
 FIRE SAFE TESTED ISO 10497 by L.R.  
 EAC CERTIFICATION by B.V.

TYPE  
**FA1**  
 PN 10 ÷ 40  
 ANSI 150 ÷ 300

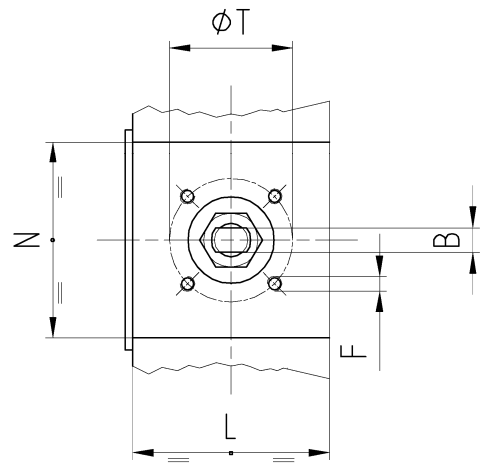
**VALVOLA A SFERA "CORPO PIATTO" PASSAGGIO TOTALE**  
**BALL VALVES "WAFER TYPE" FULL BORE**  
**ROBINETS A BOISSEAU SPHERIQUE "WAFER" PASSAGE INTEGRAL**  
**FLANSCHKUGELHÄHNE IN "KOMPAKTBAUWEISE" VOLLER DURCHGANG**



**CONSTRUCTION ACCORDING TO:**  
 BS EN 12516-2 - ANSI B16.34  
 ISO 14313 - EN 558



• ACCOPPIAMENTO VALVOLA  
 ATTUATORE  
 • CONNECTION VALVE  
 ACTUATOR  
 • ACCOUPLEMENT ROBINET-  
 ACTIONNEUR  
 • ZUSAMMENBAU KUGELHAHN  
 ANTRIEB  
**ISO-5211**





ISO 9001:2015 by L.R.  
 PED DIR. 2014/68/UE by L.R.  
 ATEX DIR. 2014/34/UE by B.V.  
 FIRE SAFE EXECUTION by L.R.  
 ISO 15848 by TÜV  
 ANTISTATIC DEVICE by L.R.  
 FIRE SAFE TESTED ISO 10497 by L.R.  
 EAC CERTIFICATION by B.V.

TYPE  
**FA1**  
 PN 10 ÷ 40  
 ANSI 150 ÷ 300

N.	DESCRIZIONE DESCRIPTION DESCRIPTION BESCHREIBUNG	MATERIALI MATERIALS MATERIAUX WERKSTOFFE
1	CORPO BODY CORPS MITTE	ASTM A105 ASTM A479 304/304L ASTM A479 316/316L
2	GHIERA INSERT EMBOUT GEWINDED RUCKRING	ASTM A105 ASTM A479 304/304L ASTM A479 316/316L
3*	O-RING	FKM - (VITON)
4*	ANELLO SEAL ANNEAU DICHTUNGSRING	P.T.F.E.
5*	SEDE SEAT SIEGE SITZRING	P.T.F.E. (BAM CERTIFIED) R.P.T.F.E. (OPTIONAL)
6	SFERA BALL BOULE KUGEL	ASTM A479 304/304L ASTM A351 CF8 ASTM A479 316/316L DN ≤ 10 ASTM A351 CF8M
7	DISPOSITIVO ANTISTATICO ANTISTATIC DEVICE CONTACT ANTISTATIQUE ANTISTATIK VORRICHTUNG	ASTM A479 316/316L
8	STELO STEM TIGE SPINDEL	ASTM A479 304/304L ASTM A479 316/316L DN ≤ 10

N.	DESCRIZIONE DESCRIPTION DESCRIPTION BESCHREIBUNG	MATERIALI MATERIALS MATERIAUX WERKSTOFFE
9*	BUSSOLA STEM SEAL JOINT TIGE UNTERE SPINDELABDICHTUNG	P.T.F.E.
10*	PACCO A "V" CHEVRON RINGS JOINT A "V" 3 FACHE DACHMANSCHETTE	P.T.F.E. / GRAFITE P.T.F.E. / GRAPHITE P.T.F.E. / GRAPHITE P.T.F.E. / GRAPHIT
11	PREMIBUSSOLA PRESSING BUSH PRESSE RONDELLE STOPFBUCHSDRUCKRING	ASTM A479 304
12	MOLLE A TAZZA SPRING WASHERS RONDELLES BELLEVILLE TELLERFEDERN	C72/50Cr V4 ZINCATO - GALVANIZED - ZINGUE - VERZINKT X5CrNi17.7 or X12CrNi17.7 ON REQUEST
13	VITE DI FERMO E FERMO PIN AND STOP PIN PLONT ET PLOT D'ARRET ANSCHLAGBOLZEN	UNI3740 8.8 ZINCATO - GALVANIZED - ZINGUE - VERZINKT UNI 3951 A2-70 ON REQUEST
14	DADO - CONTRODADO NUT - LOCK NUT ECROU - CONTRE-ECROU MUTTER - KONTERMUTTER	UNI 3740 - 6S ZINCATO - GALVANIZED - ZINGUE - VERZINKT ASTM A479 304 ON REQUEST
15	LEVA WRENCH LEVIER HANDHEBEL	AISI 1010 ZINCATO/VERNICIATO GALVANIZED/PAINTED ZINGUE/PEINT VERZINKT/GEMALTEN ASTM A479 304 ON REQUEST
16		

\* RICAMBI CONSIGLIATI - RECOMMENDED SPARE PARTS - PIECES DE RECHANGE CONSEILLEES - ERSATZTEIL EMPFEHLUNG

## DIMENSIONI - DIMENSION - DIMENSIONS - ABMESSUNGEN

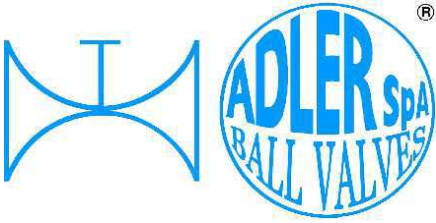
DN	10	15	20	25	32	40	50	65	80	100	125	150	200	250	300
A	10	10	10	12	12	16	16								
B	6	6	6	8	8	10	10								
C	7	7	7	10	10	10	10								
E	15	15	19	25	30	38	51								
F	M5	M5	M5	M5	M5	M6	M6								
ISO	F03	F03	F03	F03	F03	F05	F05								
G	25	25	25	25	25	35	35								
H	66	66	68	85	91	110	120								
L	33	33	33	40	48	58	79								
M	145	145	145	185	185	280	280								
N	69	69	78	81	105	102	102								
P	32,5	32,5	35	41	46,5	55	65								
R	7,5	7,5	7,5	16,5	16,5	19,5	19,5								
P	32,5	32,5	36,5	42,5	46,5	55	74,5								
R	8	8	6	17	16,5	20	10								
S	35	35	37	43	51	64	84								
T	36	36	36	36	36	50	50								
~Kg	1,6	1,6	1,9	2,8	4,8	7,2	11,5								

- DATI E CARATTERISTICHE SOGGETTI A VARIAZIONI SENZA PREAVVISO
- SPECIFICATIONS SUBJECT TO MODIFICATIONS WITHOUT PRIOR NOTICE
- TOUS DROITS DE MODIFICATION RESERVES
- KONSTRUKTIONSÄNDERUNGEN VORBEHALTEN

PN 10 ÷ 40 - ANSI 150

ANSI 300





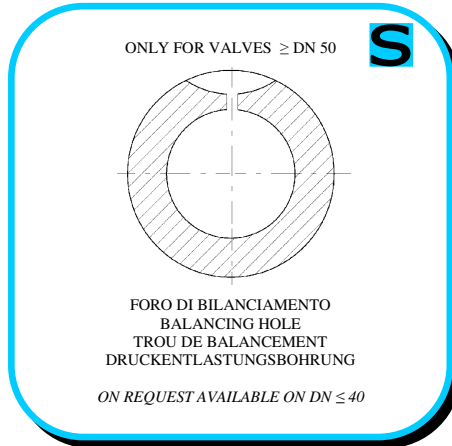
ISO 9001:2015 by L.R.  
 PED DIR. 2014/68/UE by L.R.  
 ATEX DIR. 2014/34/UE by B.V.  
 FIRE SAFE EXECUTION by L.R.  
 ISO 15848 by TÜV  
 ANTISTATIC DEVICE by L.R.  
 FIRE SAFE TESTED ISO 10497 by L.R.  
 EAC CERTIFICATION by B.V.

TYPE  
**FA1**  
 PN 10 ÷ 40  
 ANSI 150 ÷ 300

• ESECUZIONI • EXECUTIONS • EXECUTIONS • AUSFÜHRUNGEN



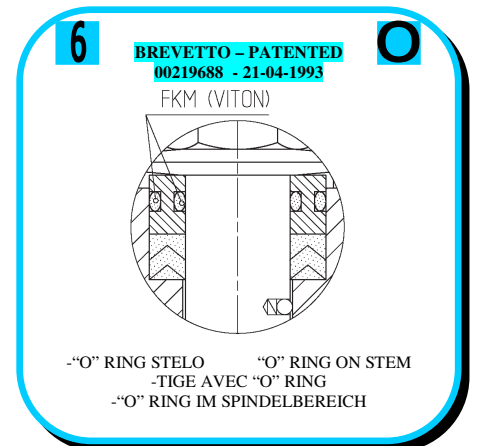
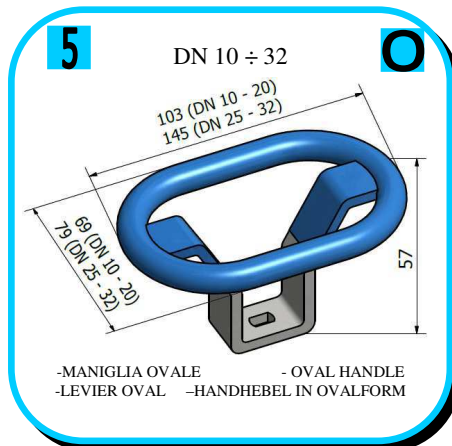
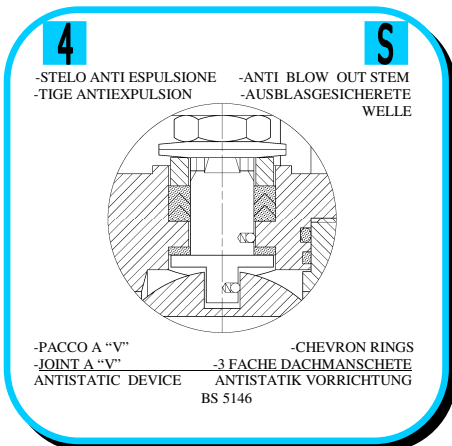
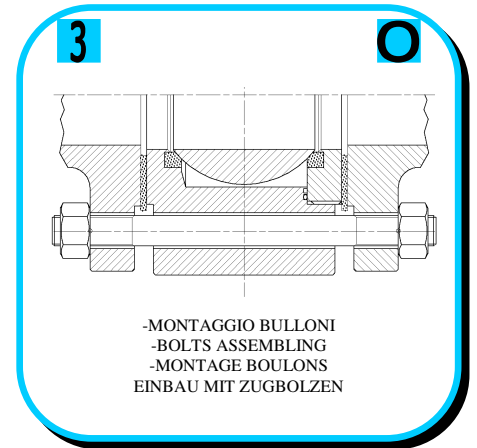
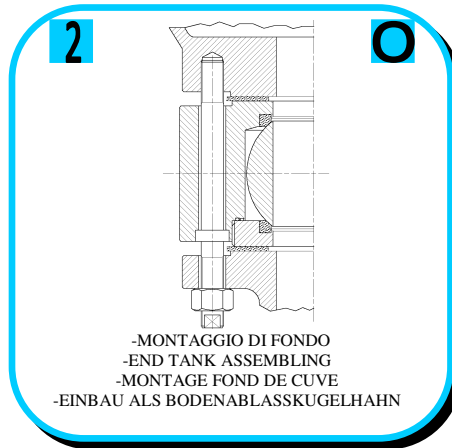
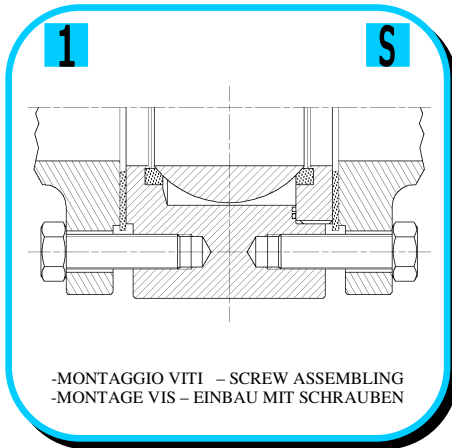
EXECUTION 4 - 12



EXECUTION 6 - 16

**S** STANDARD

**O** OPTIONAL

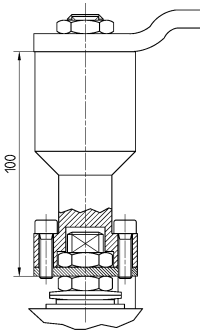




ISO 9001:2015 by L.R.  
 PED DIR. 2014/68/UE by L.R.  
 ATEX DIR. 2014/34/UE by B.V.  
 FIRE SAFE EXECUTION by L.R.  
 ISO 15848 by TÜV  
 ANTISTATIC DEVICE by L.R.  
 FIRE SAFE TESTED ISO 10497 by L.R.  
 EAC CERTIFICATION by B.V.

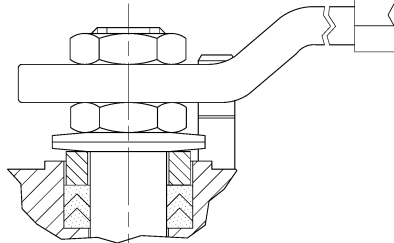
TYPE  
**FA1**  
 PN 10 ÷ 40  
 ANSI 150 ÷ 300

7



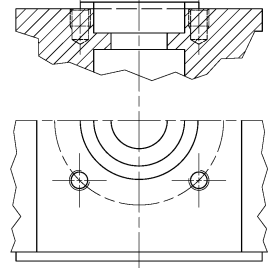
-PROLUNGA STELO -STEM EXTENSION  
 -TIGE PROLONGEE -SPINDELVERLÄNGERUNG

8



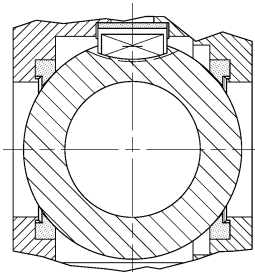
-PARTICOLARI INOX  
 -STAINLESS STEEL DETAILS  
 -ACCESSOIRES EN INOX  
 -EDELSTAHLTEILE

9



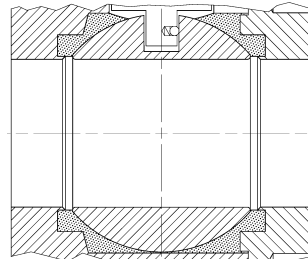
-ATTACCO "ISO" -"ISO" CONNECTIONS  
 -SYSTEM "ISO" -ANSCHLUSS "ISO"

10



-SFERA CONTENUTA -CONTENTS BALL  
 -BOULE CONTENUE  
 -NICHT RAUSRAGENDE KUGEL

11



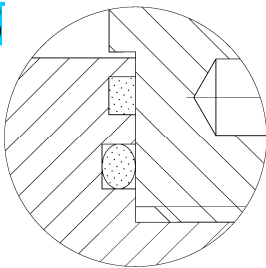
-TENUTE INTEGRALE -POCKETLESS SEATS  
 -TENUE INTEGRALE -TOTRAUMARM  
 -P.T.F.E. / R.T.F.E.

12

FIRE SAFE  
 ISO 10497 "ISO-FT"  
 (BS 6755 / API 607)



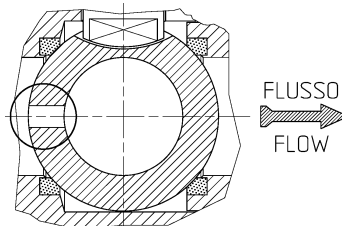
13



-DOPPIA TENUTA -DOUBLE SEALS  
 -DOUBLE ETANCHEITE -DOPPELTE ABDICHTUNG  
 -GHIERA A BATTUTA -METAL BEATING RING  
 -EMBOUT AVEC BATTUE MECANIQUE  
 -METALLISCHER ANSCHLAG DES  
 GEWINDEDRUCKRINGS

14

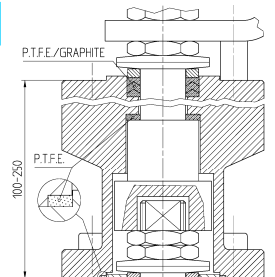
VEDERE / SEE ANSI B16.34



FLUSSO  
 FLOW

-FORO DI SCARICO NELLA SFERA  
 -OVERPRESSURE HOLE INTO BALL  
 -TROU DECOMPRESSION DANS LA BOULE  
 -ENTLASTUNGSBOHRUNG IN DER KUGEL  
 VALVOLA MONO DIREZIONALE  
 MONO-DIRECTIONAL VALVE

15



-SERVIZIO CRIOGENICO -CRYOGENIC SERVICE  
 -SERVICE CRYOGENIQUE  
 -TIEFTEMPORATUR SERVICE

16



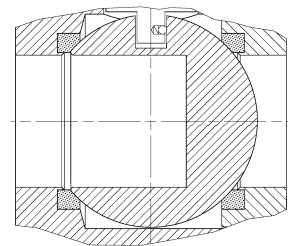
-FIRE SAFE ISO FT+ "O" RING STELO  
 -FIRE SAFE ISO FT+ "O" RING ON STEM  
 -SECURITE FEU ISO FT+ TIGE AVEC "O" RING  
 -FEUERSICHERE AUSFÜHRUNG ISO FT +  
 "O" RING IM SPINDELBEREICH

**ADLER**

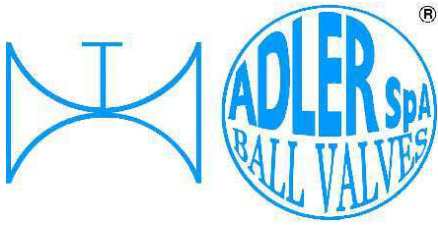
UNA GAMMA COMPLETA  
 PRIVILEGIANDO LA QUALITA'

A COMPLETE RANGE PRIVILEGING  
 THE QUALITY

18



-SFERA CIECA PER CAMPIONATURA  
 -BLIND BALL FOR SAMPLING  
 -PRISE-ECHANTILLON  
 KUGEL FÜR PROBEAHME



ISO 9001:2015 by L.R.  
 PED DIR. 2014/68/UE by L.R.  
 ATEX DIR. 2014/34/UE by B.V.  
 FIRE SAFE EXECUTION by L.R.  
 ISO 15848 by TÜV  
 ANTISTATIC DEVICE by L.R.  
 FIRE SAFE TESTED ISO 10497 by L.R.  
 EAC CERTIFICATION by B.V.

TYPE  
**FA1**  
 PN 10 ÷ 40  
 ANSI 150 ÷ 300

VITI D'ASSEMBLAGGIO PER FA1 - ASSEMBLING SCREWS FOR FA1 - VIS D'ASSEMBLAGE POUR FA1- MONTAGESCHRAUBEN FÜR FA1

N° VITI - DIMENSIONE • N° SCREW - DIMENSIONS • N° VIS- DIMENSIONS • N° SCHRAUBEN-ABMESSUNGEN

### EUROPEAN NORM

DN PN	10-15		20		25		32		40		50		65		80		100		125		150		200	
16	8	M12 X35	8	M12 X35	8	M12 X40	8	M16 X40	8	M16 X45	8	M16 X50												
25	8	M12 X35	8	M12 X35	8	M12 X40	8	M16 X40	8	M16 X45	8	M16 X50												
40	8	M12 X35	8	M12 X35	8	M12 X40	8	M16 X40	8	M16 X45	8	M16 X50												

### ANSI METRIC

(STANDARD ADLER)

Ø Rating	1/2"		3/4"		1"		1 1/4"		1 1/2"		2"		2 1/2"		3"		4"		5"		6"		8"	
150	8	M14 X30	8	M14 X30	8	M14 X35	8	M14 X40	8	M14 X45	8	M16 X50												
300	8	M14 X30	8	M16 X35	8	M16 X40	8	M16 X45	8	M20 X50	16	M16 X50												

### ANSI B1.1 UNC

(ON REQUEST)

Ø Rating	1/2"		3/4"		1"		1 1/4"		1 1/2"		2"		2 1/2"		3"		4"		5"		6"		8"	
150	8	1/2 X 1 1/4	8	1/2 X 1 1/4	8	1/2 X 1 1/2	8	1/2 X 1 3/4	8	1/2 X 1 3/4	8	5/8 X 2												
300	8	1/2 X 1 1/4	8	5/8 X 1 1/4	8	5/8 X 1 1/2	8	5/8 X 1 3/4	8	3/4 X 2	16	5/8 X 2												

Length of screws calculated considering a gasket with thickness of 2mm.

For dimension in **BLU COLOR** is necessary to use a washer with thickness of 2 mm.

