

Model WU-1101N utilized as Drain Control Unit

Housing Material: SS 1.4408 / SS 1.4581

Connections: DN 15, 20, 25, 40, 50 flanges, connecting dimensions acc. to DIN EN 1092-2.

Flange connecting dimensions for 1/2"-2" Class 150 and 1/2", 3/4" Class 300 acc. to ANSI

Nominal pressure stage: PN 25

Housing-limits:

max. operating pressure in (bar)	25
max. operating temperature (°C)	-10 / 100

Media: Operating fluids, water

Function: Increasing levels open and decreasing levels close the outlet without delay, independent of pressure and temperature fluctuations.

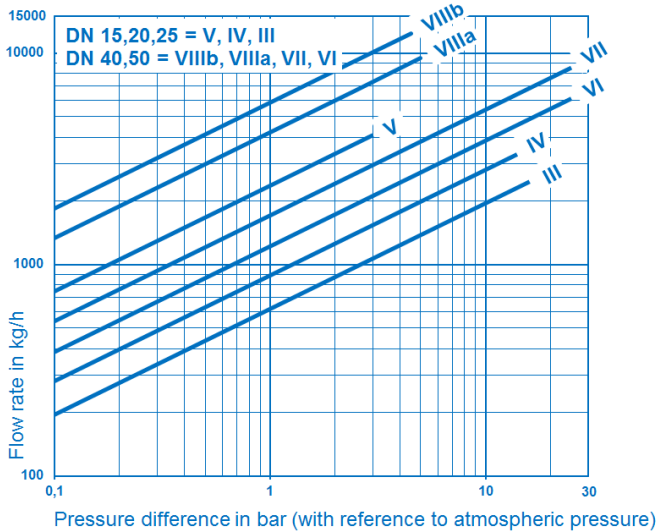
Special characteristics: Only one movable point since the rotary-slide-valve is both swivel joint and shut-off-device.

Installation: horizontal

Additional equipment against extra price:

- Control with special cross-section VIII a, VIII b and V
- Screw plug
- Connection for gas pressure compensating line instead of control screw

Performance:



Function-limit

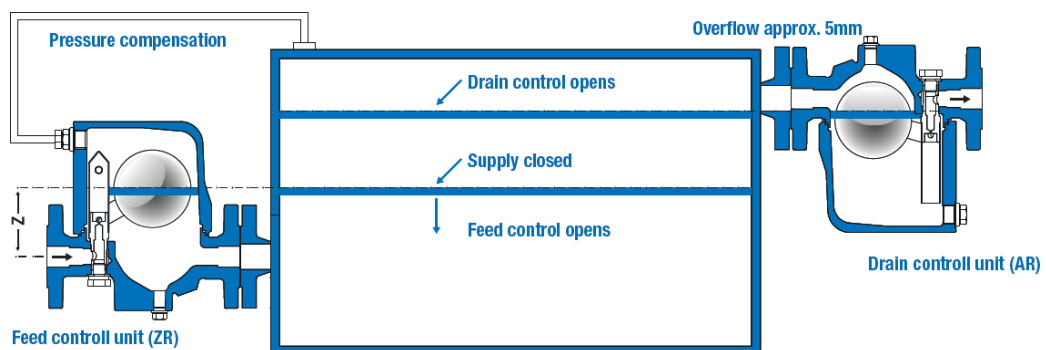
Cross-section	max. Line pressure in bar g	Dimension Z in mm
III	16	appr. 90
IV	14	appr. 90
V	2,5	appr. 110
VI	25	appr. 120
VII	25	appr. 120
VIII a	5	appr. 120
VIII b	4,5	appr. 120

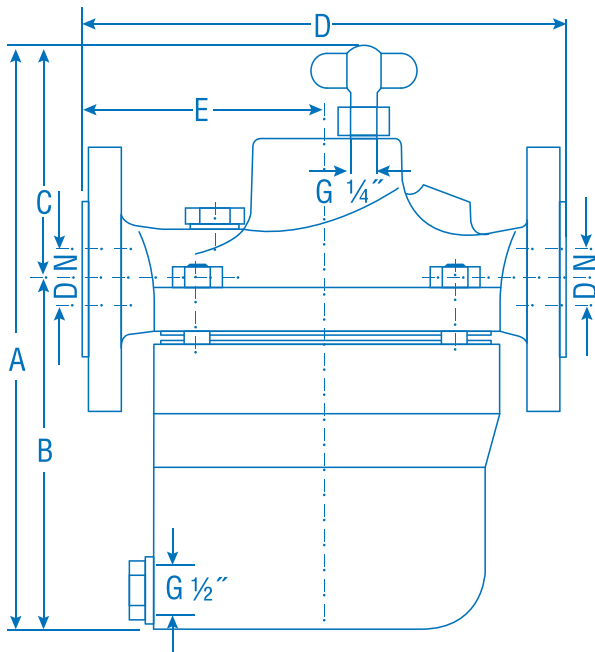
CE - Mark:

The pressure equipment described is a pressure-keeping component in accordance with the Pressure Vessel Directive 2014/68/EU.

DN15-25: acc. Art.4, Subs.3 no CE-mark,

DN 40/50: Conformity through the identifying mark: CE 0525.

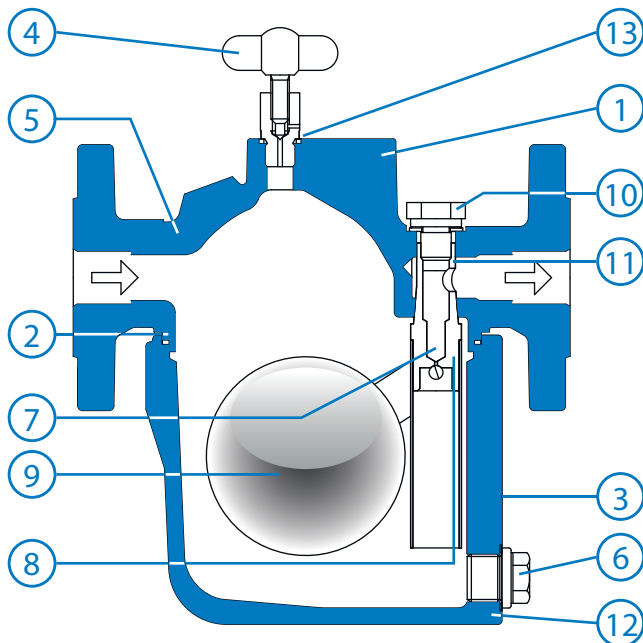




Dimensions (in mm), Weight (in kg)

DN	15	20	25	40	50
A	255	255	255	360	360
B	150	150	150	220	220
C	105	105	105	140	140
D	215	215	215	320	320
E	108	108	108	160	160
Weight	10,5	11	11,5	26,5	27,5

Spare Parts



- 1 Upper part of housing: SS 1.4408 or 1.4581*
- 2 Housing gasket: PTFE
- 3 Lower part of housing: SS 1.4408 or 1.4581*
- 4 Control valve: Locking handle:
SS 1.4104/plastic, Screw-in union: SS 1.4104
- 5 Set screw with nuts: A4-70 acc. ISO 4032 DIN 931/939 / DIN 934 (not visible)
- 6 Screw plug: 1.4571
- 7 Float control, complete including supporting screw**:
complete 1.4571
- 8 Supporting structure, complete with rotary slide valve
and cotter pin**: 1.4571
- 9 Float with fork: 1.4571
- 10 Supporting screw: 1.4571
- 11 Gasket: PTFE
- 12 Gasket: PTFE
- 13 Gasket: PTFE

* depending on operating conditions

** Due to sealing requirements marked items cannot be supplied as individual parts.

To ensure correct parts delivery, please specify part number, works standard sheet no. 1101N-AR, DN, and for spare parts of control components the cross-section, which is to find at the supporting screw.