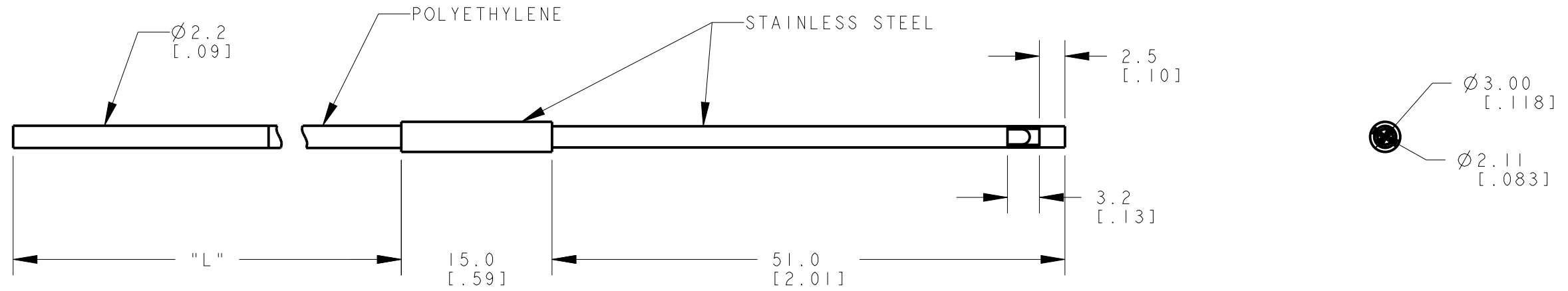


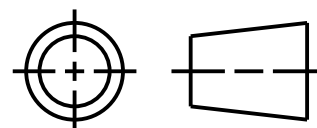
MODEL NO.	"L"	"PL"	P/N
PIPS630U	9144 [360]	51 [2.0]	71425
PIPS615U	4572 [180]	51 [2.0]	69637
PIPS66U	2000 [79]	51 [2.0]	48016



NOTES:
 1. ALL DIMENSIONS ARE MILLIMETERS [INCHES] UNLESS OTHERWISE NOTED.
 2. REFER TO "www.bannerengineering.com" FOR ADDITIONAL DATA AND SPECIFICATIONS.

This drawing is the property of BANNER ENGINEERING CORP. Any use or reproduction, in any form, without prior written permission of Banner is prohibited. © 2015 Banner Engineering Corp.

THIRD ANGLE PROJECTION



		BANNER ENGINEERING CORP.	
		www.bannerengineering.com	
TITLE			
PIPS6 SERIES UNTERMINATED			
SIZE B	DRAWING NO. 188729	REV. A	
SCALE 2:1		SHEET 1 OF 1	

CREO