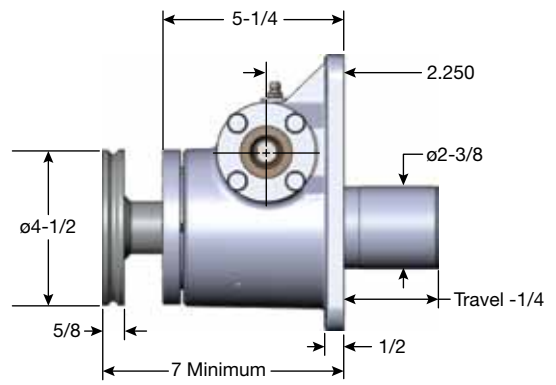
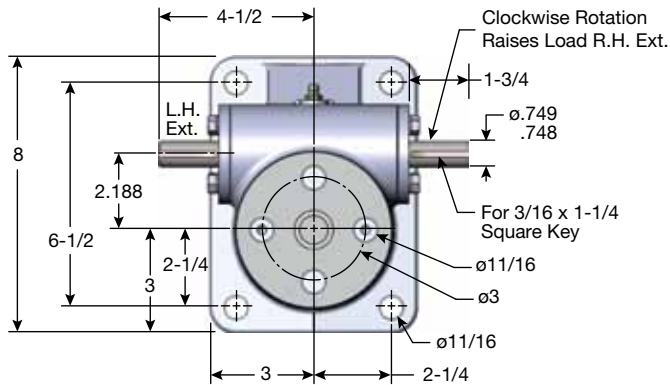


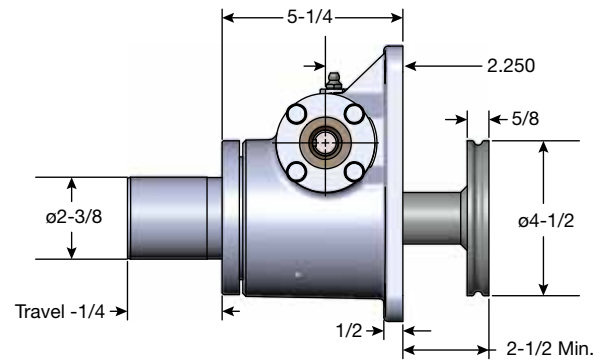
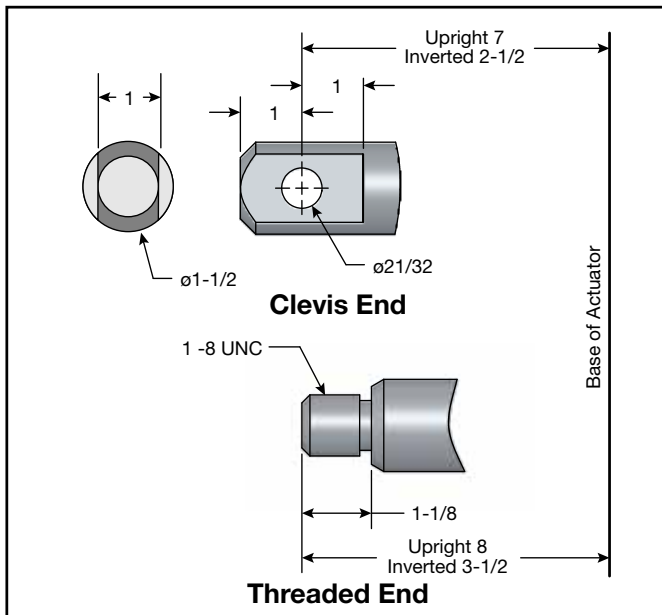
# MACHINE SCREW ACTUATORS

## 5 TON CAPACITY

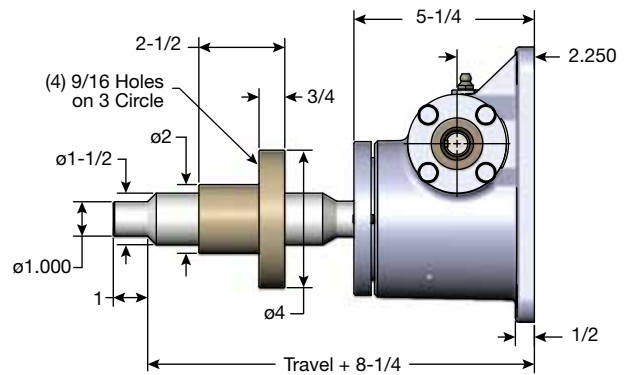


**Upright: M-9005**

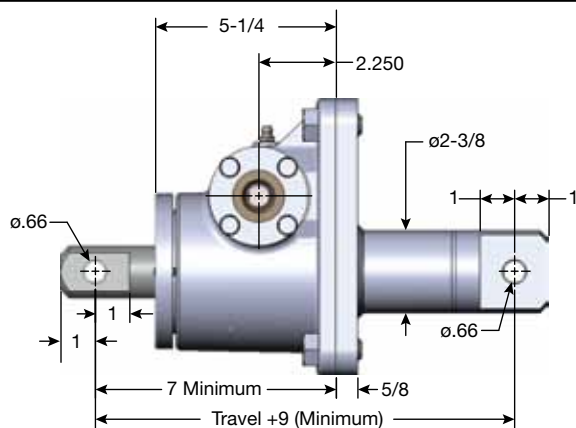
### 1-1/2" Diameter x .375 Lead Lifting Screws



**Inverted: M-9004**

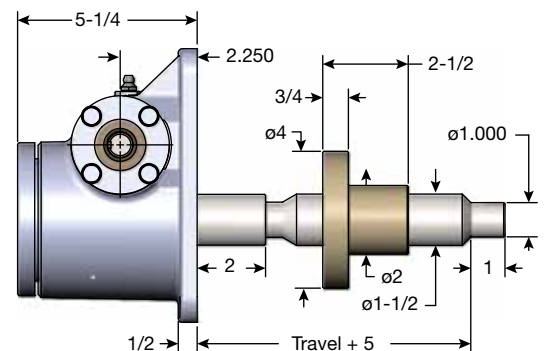


**Upright Rotating: UM-9006**



**Double Clevis: CCM-9005**

Maximum Allowable Raise in Compression 22" - Rating 6500 Lbs.  
Maximum Raise at Rated Load in Compression 17"



**Inverted Rotating: DM-9006**

Note: Lifting screw is not keyed. Top should be secured to a lifting member to prevent rotation. When a Bellows Boot is required, see pages 148-149. Dimensions are subject to change without notice.