

GB

Operating instructions
Diaphragm pump MP-520

Article No. ■ 200-0216 ■ 200-0330
Original operating instructions

T-Dok-397-EN-Rev.0-
web

Krautzberger 

2 Technical data

2.1 Dimensions

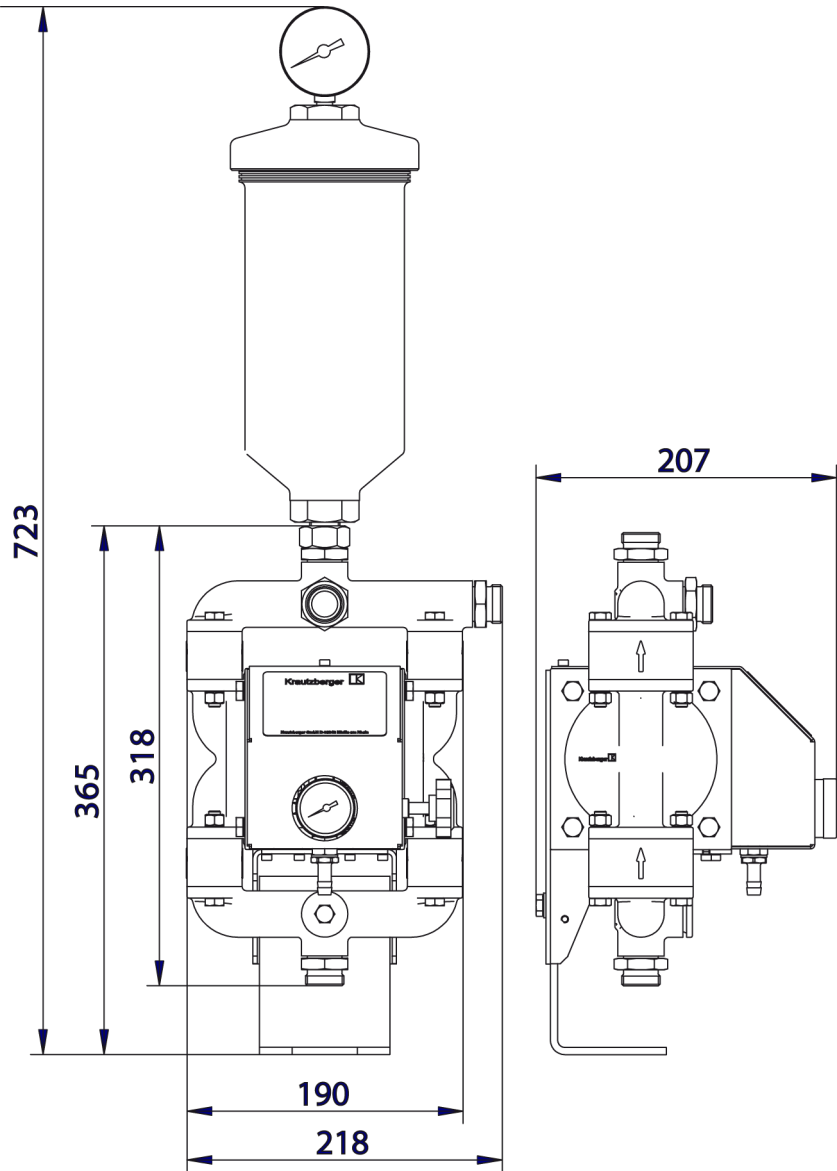


Fig. 1: Dimensions in mm

2.2 General specifications

Data	Value	Unit
Delivery rate (with respect to water, free flow)	15	l/min
Material connection (outlet)	3/4" external thread	Inches
Max. temperature of the coating material used	0 ... +50	°C
Max. pressure	8	bar
Max. permitted operating pressure	8	bar
Compressed air connection (hose sleeve)	8/9	mm
Min. air intake pressure	4	bar
Max. air intake pressure	8	bar
Max. stroke (double strokes)	120	DS/min
Recommended number of strokes (double strokes)	100	DS/min
Weight	9.0	kg
Noise pressure level (at 8 bar and 100 DS)	80	dB(A)
Transformation ratio	1:1	
Compressed air supply	oil-free, filtered	

2.3 Material delivery properties

Material	Suitability
Paint (with solvent)	good
Water-based paint, dispersions, wood preservatives	good
Water	good
Oils, heating oils, diesel fuel	good
Emulsions, soap, detergents	good
Alcohol, glazes, latex	limited
Lime sludge	limited
Cell and fibre materials	unsuitable
Sludge, mash, pastes	unsuitable



In case of doubt about suitability of materials not listed, please enquire. In special cases we will determine the suitability in an experiment.

4.2 Connection example

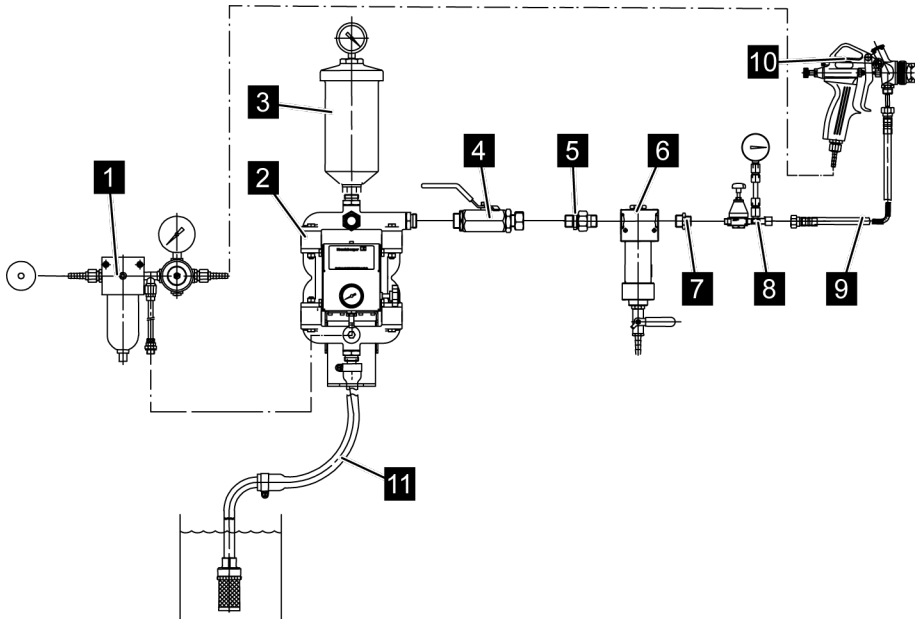


Fig. 4: Connection example

- 1 Air controller unit with filter
- 2 MP-520 diaphragm pump
- 3 Surge tank
- 4 Ball cock
- 5 Screw connection
- 6 Material filter
- 7 Reducer
- 8 Material controller
- 9 Low-pressure material hose with fittings
- 10 Spray gun
- 11 Intake hose with suction cage